



Chipsmall Limited consists of a professional team with an average of over 10 year of expertise in the distribution of electronic components. Based in Hongkong, we have already established firm and mutual-benefit business relationships with customers from,Europe,America and south Asia,supplying obsolete and hard-to-find components to meet their specific needs.

With the principle of "Quality Parts,Customers Priority,Honest Operation,and Considerate Service",our business mainly focus on the distribution of electronic components. Line cards we deal with include Microchip,ALPS,ROHM,Xilinx,Pulse,ON,Everlight and Freescale. Main products comprise IC,Modules,Potentiometer,IC Socket,Relay,Connector.Our parts cover such applications as commercial,industrial, and automotives areas.

We are looking forward to setting up business relationship with you and hope to provide you with the best service and solution. Let us make a better world for our industry!



Contact us

Tel: +86-755-8981 8866 Fax: +86-755-8427 6832

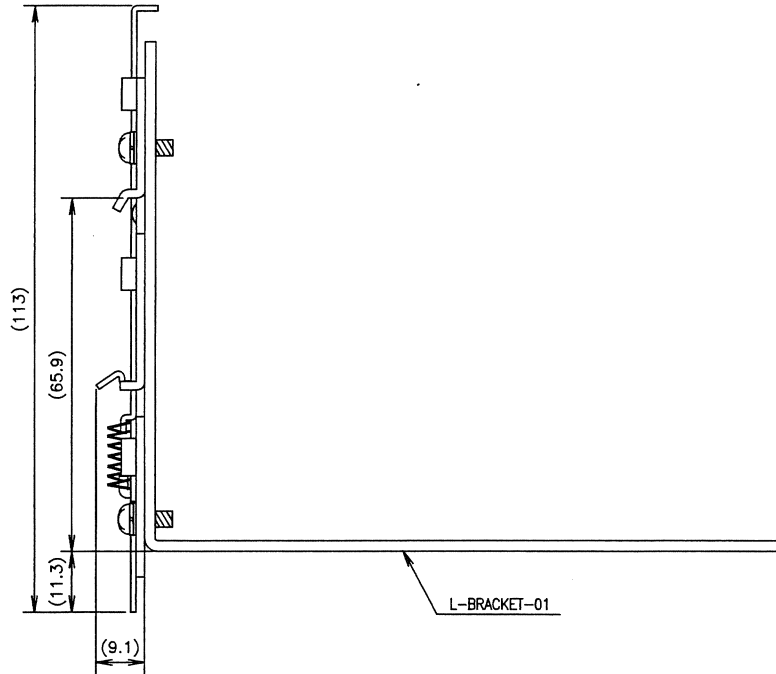
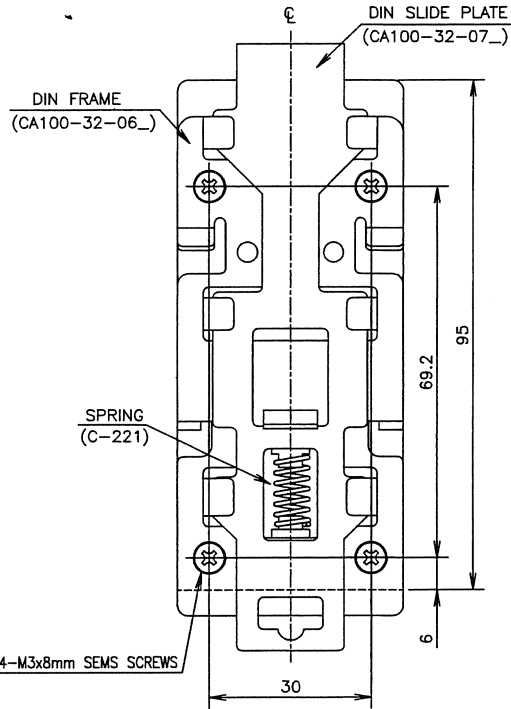
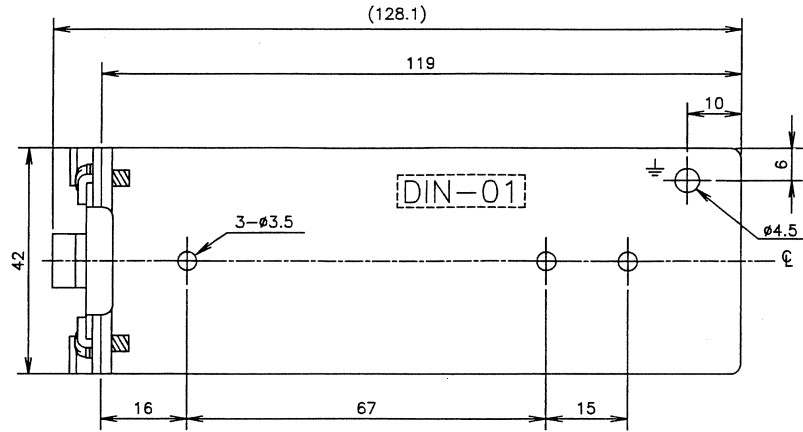
Email & Skype: info@chipsmall.com Web: www.chipsmall.com

Address: A1208, Overseas Decoration Building, #122 Zhenhua RD., Futian, Shenzhen, China



RoHS Compliance

REFER TO DL GROUP GREEN PROCUREMENT GUIDE LINE (DL-EMS-010_).



PARTS LIST

	PARTS LIST	CATALOG No.	NET	MANUFACTURE
1	DIN FRAME	CA100-32-06_ (ONWARD CA100-32-06C)	1	D-L
2	DIN SLIDE PLATE	CA100-32-07_ (ONWARD CA100-32-07C)	1	D-L
3	L-BRACKET-01	8000-3-667_	1	D-L
4	SPRING	C-221	1	KATO SPRING
5	SCREWS	M3x8mm SEMS	4	D-L



SCALE	1 / 1	MATERIALS	TITLE	DIN-01(HWS15/30)
UNITS	mm	SPCC-SD t=2.0		MOUNTING PLATE
		FINISH	DRAWING No.	8000-3-664 - <input type="checkbox"/>
			DENSEI-LAMBDA	

-	-1	NEW RELEASE	29/Jul/05	Sh.Kondo	Fukuda	Shige
D	REV	CONTENTS	DATE	ENGR	CHK	APPD

R:\engineering_control\other\8000\80003664.dwg