



Chipsmall Limited consists of a professional team with an average of over 10 year of expertise in the distribution of electronic components. Based in Hongkong, we have already established firm and mutual-benefit business relationships with customers from,Europe,America and south Asia,supplying obsolete and hard-to-find components to meet their specific needs.

With the principle of “Quality Parts,Customers Priority,Honest Operation,and Considerate Service”,our business mainly focus on the distribution of electronic components. Line cards we deal with include Microchip,ALPS,ROHM,Xilinx,Pulse,ON,Everlight and Freescale. Main products comprise IC,Modules,Potentiometer,IC Socket,Relay,Connector.Our parts cover such applications as commercial,industrial, and automotives areas.

We are looking forward to setting up business relationship with you and hope to provide you with the best service and solution. Let us make a better world for our industry!



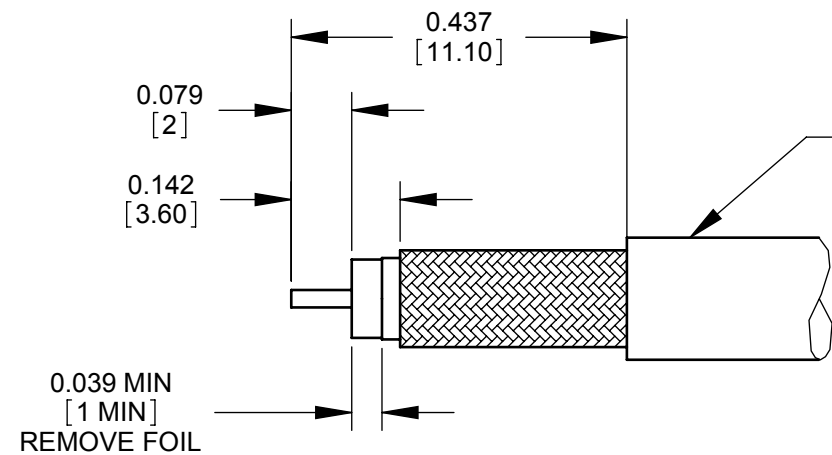
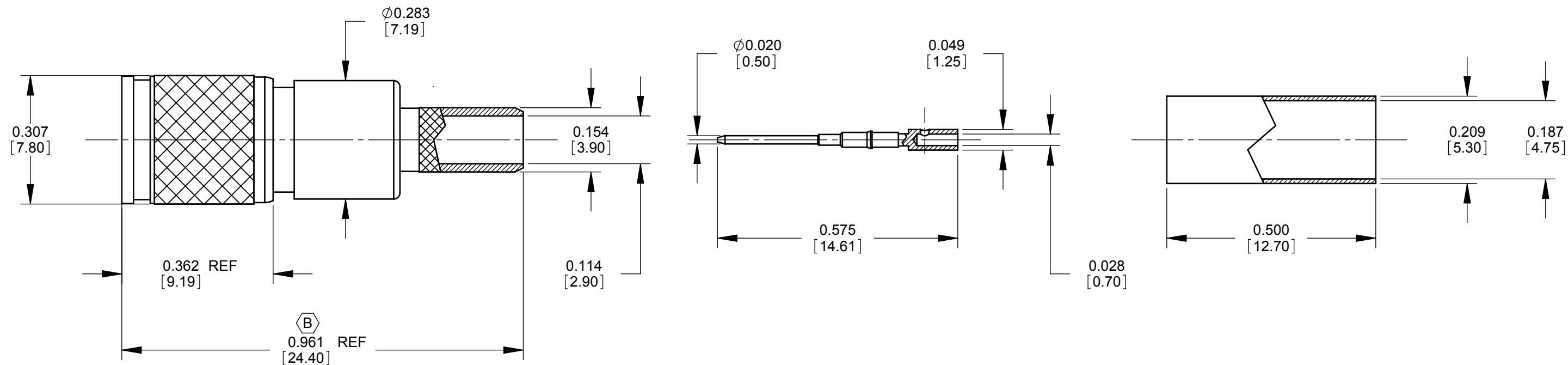
Contact us

Tel: +86-755-8981 8866 Fax: +86-755-8427 6832

Email & Skype: info@chipsmall.com Web: www.chipsmall.com

Address: A1208, Overseas Decoration Building, #122 Zhenhua RD., Futian, Shenzhen, China



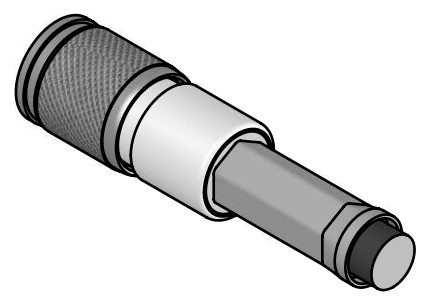


RECOMMENDED CABLE: BELDEN B1855A

CRIMPED FERRULE HEX CRIMP SIZE .178 [4.52].

CRIMPED CONTACT PIN HEX CRIMP SIZE .042 [1.07].

ALTERNATE CONTACT PIN RADIAL CRIMP TOOL:
 - DANIELS HAND TOOL NUMBER: MH995 OR MH992
 - DANIELS POSTIONER NUMBER: K1803



RECOMMENDED CABLE STRIPPING AND CRIMPING DIMENSIONS

- NOTES:
1. BODY: COPPER ALLOY, NICKEL PLATED.
 2. CONTACT PIN: COPPER ALLOY, GOLD PLATED.
 3. SPRING: BERYLLIUM COPPER, NICKEL PLATED.
 4. TINE CONTACT: BERYLLIUM COPPER, GOLD PLATED.
 5. INSULATOR: TEFLON
 6. FERRULE: COPPER ALLOY, NICKEL PLATED.
 7. CHARACTERISTIC IMPEDANCE: 75 OHMS, 3 GHz BANDWIDTH.
 8. RETURN LOSS: MEETS HDTV SMPTE 424M SPECIFICATION.
 9. DIMENSIONS ARE FOR REFERENCE ONLY.
 10. THIS PRODUCT IS RoHS COMPLIANT.

CUSTOMER DRAWING

					THIS DRAWING DESCRIBES A DESIGN CONSIDERED PROPRIETARY IN NATURE, DEVELOPED AND MANUFACTURED BY SWITCHCRAFT INC. AND IS RELEASED ON A CONFIDENTIAL BASIS FOR IDENTIFICATION PURPOSES ONLY.					
					SIZE *	WIDTH *	MULT *	LBS/M *	TEMPER *	
					FINISH *			MATERIAL SEE NOTES *		
					SPEC No. *			SPEC No. *		
					FIRST USED ON *		SCALE 4:1			
B	26729	01/24/12	TS	BDS	DATE DRAWN	BY	CHKD	APVD	Switchcraft [®]	
A	26641	10/06/10	ZS	SRC	04/29/10	ZS	04/29/10	04/29/10		
REV	ECO NUMBER	DATE	BY	APVD	NAME			PART No.		
REVISIONS					DIN 1.0/2.3 PLUG, 75OHMS, RoHS			DIN1855A		REV B

DO NOT SCALE DRAWING

SolidWorks CAD File **B**