



Chipsmall Limited consists of a professional team with an average of over 10 year of expertise in the distribution of electronic components. Based in Hongkong, we have already established firm and mutual-benefit business relationships with customers from,Europe,America and south Asia,supplying obsolete and hard-to-find components to meet their specific needs.

With the principle of “Quality Parts,Customers Priority,Honest Operation,and Considerate Service”,our business mainly focus on the distribution of electronic components. Line cards we deal with include Microchip,ALPS,ROHM,Xilinx,Pulse,ON,Everlight and Freescale. Main products comprise IC,Modules,Potentiometer,IC Socket,Relay,Connector.Our parts cover such applications as commercial,industrial, and automotives areas.

We are looking forward to setting up business relationship with you and hope to provide you with the best service and solution. Let us make a better world for our industry!



Contact us

Tel: +86-755-8981 8866 Fax: +86-755-8427 6832

Email & Skype: info@chipsmall.com Web: www.chipsmall.com

Address: A1208, Overseas Decoration Building, #122 Zhenhua RD., Futian, Shenzhen, China



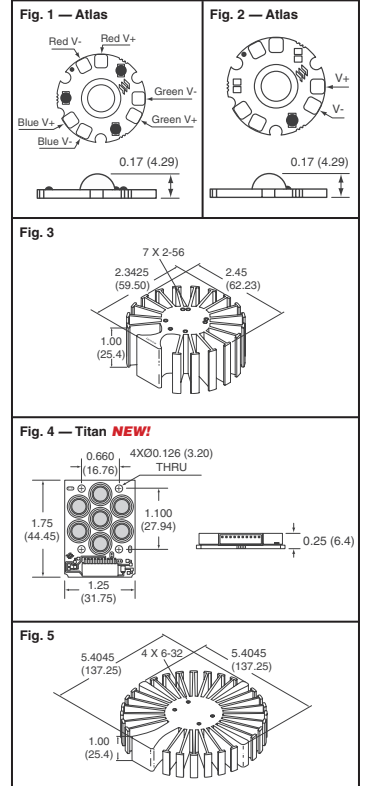
lamina Light Engines

Bright Lights. Bright Ideas.

Dimensions in Inches (mm)

| Fig. | Color | Vf Typical (V)† | If Typical (A) | Power (W)† | Lumens (lm)† | Kelvin Units | Digi-Key Part No. | 1 | 10 | 50 | T & R Pricing 250 | Lamina Part No. | |
|--|--|-----------------|----------------|-------------|--------------|--------------|-------------------------|--------|--------|--------|-------------------|-----------------|--------------|
| Atlas™ — RoHS Compliant | | | | | | | | | | | | | |
| 1 | R/G/B | 4.8/7.1/7.5 | 35 | 1.6/2.4/2.6 | 52/59/14 | — | 521-1035-1-ND | 24.00 | 21.00 | 18.00 | 3930.00 | NT-43F0-0424 | |
| 2 | White | 7.5 | 70 | 5.25 | 120 | 3,000 | 521-1037-1-ND | 16.00 | 14.00 | 12.00 | 2620.00 | NT-42D1-0425 | |
| | Red | 4.7 | 70 | 5.32 | 175 | 5,500 | 521-1039-1-ND | 15.40 | 13.48 | 11.55 | 2521.75 | NT-42D0-0426 | |
| | Amber | 4.7 | 70 | 3.3 | 90 | — | 521-1054-ND NEW! | 16.00 | 12.56 | 11.44 | — | NT-41A0-0482 | |
| | Blue | 7.1 | 70 | 5.0 | 58 | — | 521-1055-ND NEW! | 16.00 | 12.56 | 11.44 | — | NT-41E0-0483 | |
| | Blue | 7.1 | 70 | 5.0 | 58 | — | 521-1056-ND NEW! | 19.00 | 14.92 | 13.59 | — | NT-42B1-0484 | |
| | Green | 7.4 | 70 | 5.2 | 190 | — | 521-1057-ND NEW! | 19.00 | 14.92 | 13.59 | — | NT-42C1-0485 | |
| 3 | Daylight White | 6.6 | 70 | 4.6 | 164 | 4700 | 521-1058-ND NEW! | 19.80 | 15.55 | 14.16 | — | NT-45D0-0447 | |
| | Warm White | 6.6 | 70 | 4.6 | 119 | 3050 | 521-1059-ND NEW! | 19.80 | 15.55 | 14.16 | — | NT-45D1-0446 | |
| Heatsink, 1" (25.4 mm), for Atlas, BL-2000/4000 | | | | | | | | 6.92 | 6.20 | 5.76 | — | HS-4100-0345 | |
| Titan™ — RoHS Compliant | | | | | | | | | | | | | |
| 4 | R/G/B | 7.1/10.8/11.4 | 1.4 | 9.9/15.1/16 | 383/395/104 | — | 521-1045-ND NEW! | 80.20 | 74.36 | 68.12 | — | NT-53F0-0428 | |
| | Daylight White | 22.8 | 1.4 | 32.0 | 665 | 3,000 | 521-1044-ND NEW! | 77.12 | 71.50 | 65.50 | — | NT-52D1-0430 | |
| | Warm White | 23.5 | 1.4 | 32.9 | 1070 | 5,500 | 521-1043-ND NEW! | 77.12 | 71.50 | 65.50 | — | NT-52D0-0429 | |
| | Daylight White | 10.8 | 5.0 | 54.0 | 1855 | 3950 | 521-1060-ND NEW! | 131.10 | 121.55 | 110.50 | — | NT-54D0-0487 | |
| | Warm White | 10.8 | 5.0 | 54.0 | 1138 | 2750 | 521-1061-ND NEW! | 131.10 | 121.55 | 110.50 | — | NT-54D1-0486 | |
| | Red | 13.9 | 1.05 | 14.6 | 435 | — | 521-1062-ND NEW! | 84.83 | 78.65 | 71.50 | — | NT-51A0-0468 | |
| 5 | Amber | 14.1 | 1.05 | 14.8 | 502 | — | 521-1063-ND NEW! | 84.83 | 78.65 | 71.50 | — | NT-51E0-0481 | |
| | Blue | 20.5 | 1.05 | 21.5 | 227 | — | 521-1064-ND NEW! | 92.54 | 85.80 | 78.00 | — | NT-52B1-0469 | |
| | Green | 21.8 | 1.05 | 22.9 | 923 | — | 521-1065-ND NEW! | 100.26 | 92.95 | 84.50 | — | NT-52C1-0470 | |
| | Heatsink, 1" (25.4 mm), for Titan, BL-3000 | | | | | | | | 25.62 | 22.90 | 21.35 | — | HS-5100-0346 |
| Heatsink, 2.36" (59.94 mm), for Titan, BL-3000 | | | | | | | | 32.02 | 25.14 | 22.90 | — | HS-5200-0493 | |
| Accessories | | | | | | | | | | | | | |
| EZConnect Board with Connector for BL-4000 Series | | | | | | | 521-1024-ND | 8.84 | 7.74 | 5.53 | — | EZ-4000-3357 | |
| EZConnect Assembly Cable for BL-4000 Series | | | | | | | 521-1025-ND | 4.50 | 3.94 | 2.82 | — | EZ-46WH-0354 | |
| EZConnect Board for Atlas Series, R/G/B | | | | | | | 521-1036-ND | 33.00 | 25.91 | 21.62 | — | EZ-43F0-0431 | |
| EZConnect Board for Atlas Series, Warm White | | | | | | | 521-1038-ND | 25.00 | 19.63 | 16.38 | — | EZ-42D1-0432 | |
| EZConnect Board for Atlas Series, Daylight White | | | | | | | 521-1040-ND | 24.40 | 19.16 | 15.99 | — | EZ-42D0-0433 | |
| EZConnect Wire Harness for Titan Series | | | | | | | 521-1046-ND NEW! | 7.50 | 6.57 | 5.63 | — | NT-50WH-0427 | |
| Lens, Optic Medium with holder for Atlas Series | | | | | | | 521-1041-ND | 5.62 | 4.42 | 3.69 | — | OP-4FM1-0442 | |
| Lens, Optic Wide with holder for Atlas Series | | | | | | | 521-1042-ND | 5.62 | 4.42 | 3.69 | — | OP-4FW1-0441 | |
| Lens, Optic Narrow 10 Degrees with holder for Titan Series | | | | | | | 521-1050-ND NEW! | 26.00 | 20.41 | 18.59 | — | OP-5LN1-0451 | |
| Lens, Optic Narrow 25 Degrees with holder for Titan Series | | | | | | | 521-1051-ND NEW! | 20.00 | 15.70 | 14.30 | — | OP-5LN2-0445 | |
| Lens, Optic Medium 30 Degrees with holder for Titan Series | | | | | | | 521-1052-ND NEW! | 20.00 | 15.70 | 14.30 | — | OP-5LM3-0455 | |
| Lens, Optic Wide 45 Degrees with holder for Titan Series | | | | | | | 521-1053-ND NEW! | 20.00 | 15.70 | 14.30 | — | OP-5LW4-0456 | |
| Lens, Optic Narrow with holder for Atlas RGB Series | | | | | | | 521-1066-ND NEW! | 10.00 | 7.85 | 7.15 | — | OP-4LN1-0457 | |
| Lens, Optic Narrow with holder for Atlas White Series | | | | | | | 521-1067-ND NEW! | 10.00 | 7.85 | 7.15 | — | OP-4LN2-0492 | |
| Kits | | | | | | | | | | | | | |
| BL-4000, R/G/B | | | | | | | 521-1032-ND | 287.50 | — | — | — | — | DK-04F0-0396 |
| BL-4000 120VAC, White | | | | | | | 521-1033-ND | 138.75 | — | — | — | — | DK-04D0-0394 |
| BL-4000 230VAC, White | | | | | | | 521-1034-ND | 137.50 | — | — | — | — | DK-04D0-0395 |
| Titan, White | | | | | | | 521-1047-ND NEW! | 287.50 | — | — | — | — | DK-05D0-0399 |
| Titan, Red, Green, Blue | | | | | | | 521-1048-ND NEW! | 356.25 | — | — | — | — | DK-05F0-0398 |

† Optical and electrical specifications are given for the specified drive current at a 25° junction temperature. ♦ RoHS Compliant



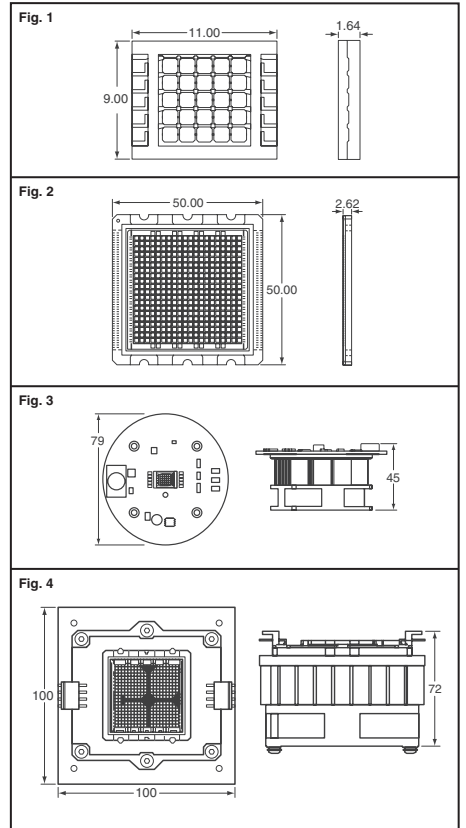
NEW! ENFIS LED Arrays and Engines

Dim. in mm

| Fig. | Emitted Color | Peak Wavelength (nm) | Vf (V) Typical | If (A) Max. | Lumens (lm) Typical | Digi-Key Part No. | 1 | 10 | 50 | 100 |
|--|---------------|----------------------|----------------|-------------|---------------------|-------------------|---------|---------|---------|--------|
| Uno 5 x 5 Arrays — RoHS Compliant | | | | | | | | | | |
| 1 | Amber | 595 | 11.5 | .9 | ~280 | 722-1025-ND | 194.75 | 173.68 | 163.61 | 159.80 |
| | Blue | 465 | 17 | 2.0 | ~270 | 722-1026-ND | 194.75 | 173.68 | 163.61 | 159.80 |
| | Green | 520 | 18 | 2.0 | ~1050 | 722-1027-ND | 194.75 | 173.68 | 163.61 | 159.80 |
| | Infra-Red | 870 | 9 | 2.0 | — | 722-1028-ND | 279.24 | 249.02 | 234.59 | 229.13 |
| | Red | 630 | 11 | 1.1 | ~300 | 722-1029-ND | 194.75 | 173.68 | 163.61 | 159.80 |
| | Ultra Violet | 375 | 37 | .4 | — | 722-1030-ND | 279.24 | 249.02 | 234.59 | 229.13 |
| Violet | 410 | 20 | 2.0 | — | 722-1031-ND | 279.24 | 249.02 | 234.59 | 229.13 | |
| White | — | 13 | 1.4 | 360 | 722-1032-ND | 194.75 | 173.68 | 163.61 | 159.80 | |
| Quattro 20 x 20 Arrays — RoHS Compliant | | | | | | | | | | |
| 2 | Violet | 405 | 36 | 11.0 | — | 722-1001-ND | 3155.25 | 2917.26 | — | — |
| | Amber | 595 | 23 | 7.2 | ~4500 | 722-1002-ND | 2261.57 | 2080.93 | 2018.94 | — |
| | Red | 630 | 22 | 8.8 | ~4800 | 722-1003-ND | 2261.57 | 2080.93 | 2018.94 | — |
| | Ultra Violet | 375 | 74 | 3.2 | — | 722-1004-ND | 3155.25 | 2917.26 | — | — |
| | White (RGBA)† | 590 | 23 | 1.8 | 1100 | 722-1005-ND | 2261.57 | 2080.93 | 2018.94 | — |
| | Blue | 465 | 32 | 12.0 | 3300 | 722-1006-ND | 2261.57 | 2080.93 | 2018.94 | — |
| | Green | 520 | 35 | 11.6 | 12600 | 722-1007-ND | 2261.57 | 2080.93 | 2018.94 | — |
| | Infra-Red | 870 | 18 | 16.0 | — | 722-1008-ND | 3155.25 | 2917.26 | — | — |

† Data shown for A (All Color); for detailed information on individual color separations, please see data sheet on Digi-Key's website.

| Fig. | Emitted Color | Peak Wavelength (nm) | Input Voltage (V) Typical | Watts (W) | Lumens (lm) Typical | Digi-Key Part No. | 1 | 10 | 50 | 100 |
|---|---------------|----------------------|---------------------------|-----------|---------------------|-------------------|---------|---------|---------|--------|
| Uno Air Cooled Light Engines | | | | | | | | | | |
| 3 | Amber | 595 | 9 | 18 | 360 | 722-1017-ND | 279.24 | 249.02 | 234.59 | 229.13 |
| | Infra-Red | 870 | 5 | 18 | — | 722-1018-ND | 533.12 | 483.34 | 460.60 | 446.88 |
| | Red | 630 | 9 | 18 | 288 | 722-1019-ND | 279.24 | 249.02 | 234.59 | 229.13 |
| | Ultra Violet | 375 | 12 | 18 | — | 722-1020-ND | 533.12 | 483.34 | 460.60 | 446.88 |
| | White | — | 9 | 18 | 337 | 722-1021-ND | 279.24 | 249.02 | 234.59 | 229.13 |
| | Blue | 465 | 12 | 36 | 252 | 722-1022-ND | 279.24 | 249.02 | 234.59 | 229.13 |
| Green | 520 | 12 | 36 | 792 | 722-1023-ND | 298.74 | 249.02 | 234.59 | 229.13 | |
| Violet | 410 | 12 | 36 | — | 722-1024-ND | 533.12 | 483.34 | 460.60 | 446.88 | |
| Quattro Air Cooled Light Engines | | | | | | | | | | |
| 4 | Blue | 465 | 48 | 200 | 1485 | 722-1009-ND | 2764.71 | 2543.88 | 2468.10 | — |
| | Green | 520 | 48 | 200 | 4988 | 722-1010-ND | 2764.71 | 2543.88 | 2468.10 | — |
| | White (RGBA) | — | 48 | 200 | 3500 | 722-1011-ND | 2764.71 | 2543.88 | 2468.10 | — |
| | Red | 630 | 48 | 200 | 3140 | 722-1012-ND | 2764.71 | 2543.88 | 2468.10 | — |
| | Amber | 595 | 48 | 200 | 3984 | 722-1013-ND | 2764.71 | 2543.88 | 2468.10 | — |
| | Violet | 410 | 48 | 200 | — | 722-1014-ND | 3641.05 | 3366.42 | — | — |
| | Ultra Violet | 375 | 48 | 200 | — | 722-1015-ND | 3641.05 | 3366.42 | — | — |
| | Infra-Red | 870 | 48 | 200 | — | 722-1016-ND | 3641.05 | 3366.42 | — | — |



~ Exclusive Preview ~
New Product Available Now!