



Chipsmall Limited consists of a professional team with an average of over 10 year of expertise in the distribution of electronic components. Based in Hongkong, we have already established firm and mutual-benefit business relationships with customers from,Europe,America and south Asia,supplying obsolete and hard-to-find components to meet their specific needs.

With the principle of “Quality Parts,Customers Priority,Honest Operation,and Considerate Service”,our business mainly focus on the distribution of electronic components. Line cards we deal with include Microchip,ALPS,ROHM,Xilinx,Pulse,ON,Everlight and Freescale. Main products comprise IC,Modules,Potentiometer,IC Socket,Relay,Connector.Our parts cover such applications as commercial,industrial, and automotives areas.

We are looking forward to setting up business relationship with you and hope to provide you with the best service and solution. Let us make a better world for our industry!



Contact us

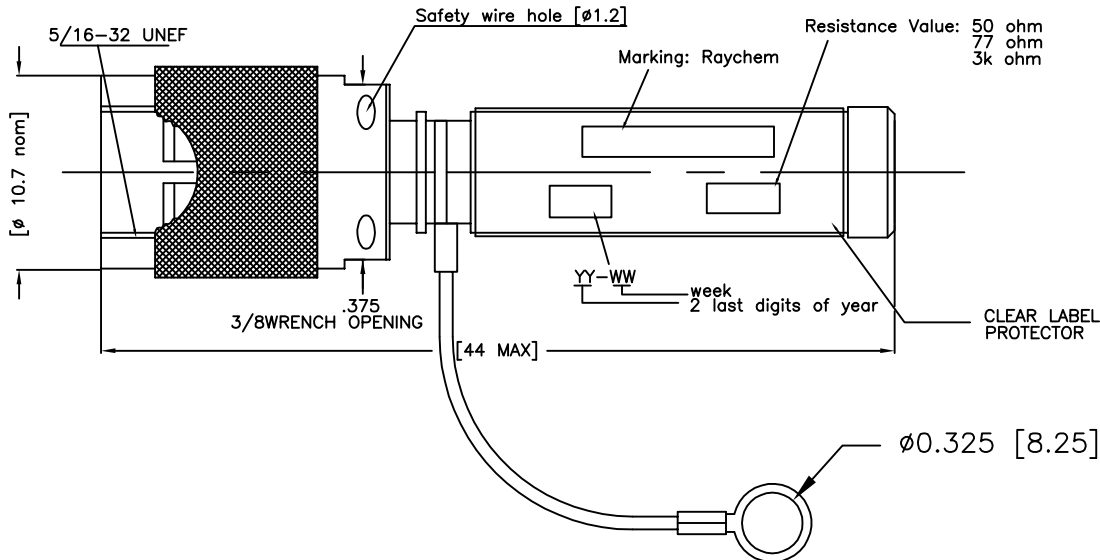
Tel: +86-755-8981 8866 Fax: +86-755-8427 6832

Email & Skype: info@chipsmall.com Web: www.chipsmall.com

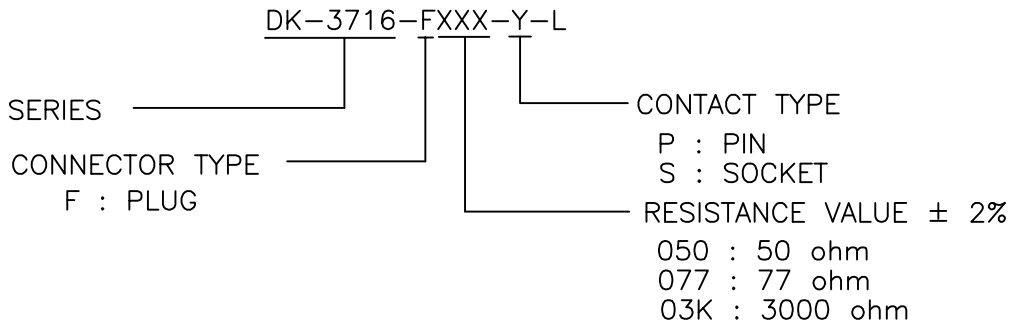
Address: A1208, Overseas Decoration Building, #122 Zhenhua RD., Futian, Shenzhen, China



REVISION		
REV	DESCRIPTION	DATE
A	INITIAL RELEASE PER ECO-11-002005	01FEB2012



PART NUMBERING SYSTEM



RAYCHEM Part Numbering	AECMA Part Numbering
DK-3716-F050-P-L	EN-3716-004M50C
DK-3716-F077-P-L	EN-3716-004M77C
DK-3716-F03K-P-L	EN-3716-004M3KC
DK-3716-F050-S-L	EN-3716-004F50C
DK-3716-F077-S-L	EN-3716-004F77C
DK-3716-F03K-S-L	EN-3716-004F3KC

© 2012 Tyco Electronics Corporation. All Rights Reserved.

Raychem Databus
CUSTOMER DRAWING

UNLESS OTHERWISE SPECIFIED DIMENSIONS ARE INCHES. METRIC DIMENSIONS ARE IN BRACKETS. DECIMAL TOLERANCES .XXX ± 0.005 [0.13 mm] .XX ± 0.010 [0.25 mm] .X ± 0.020 [0.50 mm] ANGLE TOLERANCE .X ± 0.5 DEG. WEIGHT (MAX) LBS. TBD [TBD gm]	DRAWN NIKHIL C	DATE 27JUL2011			TE Connectivity
	MATERIAL FINISH	TITLE THREADED, TRIAXIAL CONNECTOR RESISTOR TERMINATOR WITH CABLE LANYARD			
THIRD ANGLE PROJECTION 	SIZE A	CODE IDENT. NO. 06090	DWG. NO. DK-3716-FXXX-Y-L		
CAD FILE DK-3716-FXXX-Y-L_CDa			DO NOT SCALE THIS DRAWING		SHEET 1 OF 2

1. MATERIAL AND FINISHES:

- 1.1 Housing Body : Copper Alloy Per QQ-B-626.
Tin Plated Per MIL-T-10727.
- 1.2 Coupling Nut : Copper Alloy Per QQ-B-626.
Nickel Plated per QQ-N-290.
- 1.3 Insulator : Polyether Sulphone.
- 1.4 Resistor Cover : Stainless Steel Type 303 ASTM A582.
- 1.5 Lanyard : Stainless Steel Cable With Nylon Cover.
- 1.6 Lanyard Length : 3.0" [76 mm] between eyelet hole centerlines.

2. INTERMATEABILITY :

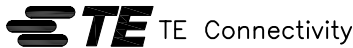
- 2.1 This connector will mate With DK-3716-EXXX-Y.

3. PERFORMANCE CAPABILITIES:

- 3.1 Designed to meet Performance Specification AECMA EN-3716-004.
- 3.2 General Characteristics :
 - 3.2.1 Maximum Operating Temperature : 150°C
 - 3.2.2 Power Rating : 1 Watt
 - 3.2.3 Insulation Resistance : 5000 megahohms min.
 - 3.2.4 High Potential, mated, sea level : 900 volts at 60 Hz
 - 3.2.5 Connector Mating Coupling Torque : 1.13 m.N maximum
 - 3.2.6 Insertion Force : 1.4 Kg maximum.
 - 3.2.7 Withdrawal Force : 30 g maximum.
 - 3.2.8 Contact Retention Terminated : 9 Kg minimum
 - 3.2.9 Durability : 500 mating cycles.
 - 3.2.10 Weight : 21 g maximum.

Raychem Databus
CUSTOMER DRAWING

© 2012 Tyco Electronics Corporation. All Rights Reserved.

DRAWN NIKHIL C	DATE 27JUL2011		SIZE A	CODE IDENT. NO. 06090	DWG. NO. DK-3716-FXXX-Y-L	REV A
CAD FILE DK-3716-FXXX-Y-L_CDb			DO NOT SCALE THIS DRAWING		SHEET 2 OF 2	