



Chipsmall Limited consists of a professional team with an average of over 10 year of expertise in the distribution of electronic components. Based in Hongkong, we have already established firm and mutual-benefit business relationships with customers from,Europe,America and south Asia,supplying obsolete and hard-to-find components to meet their specific needs.

With the principle of “Quality Parts,Customers Priority,Honest Operation,and Considerate Service”,our business mainly focus on the distribution of electronic components. Line cards we deal with include Microchip,ALPS,ROHM,Xilinx,Pulse,ON,Everlight and Freescale. Main products comprise IC,Modules,Potentiometer,IC Socket,Relay,Connector.Our parts cover such applications as commercial,industrial, and automotives areas.

We are looking forward to setting up business relationship with you and hope to provide you with the best service and solution. Let us make a better world for our industry!



Contact us

Tel: +86-755-8981 8866 Fax: +86-755-8427 6832

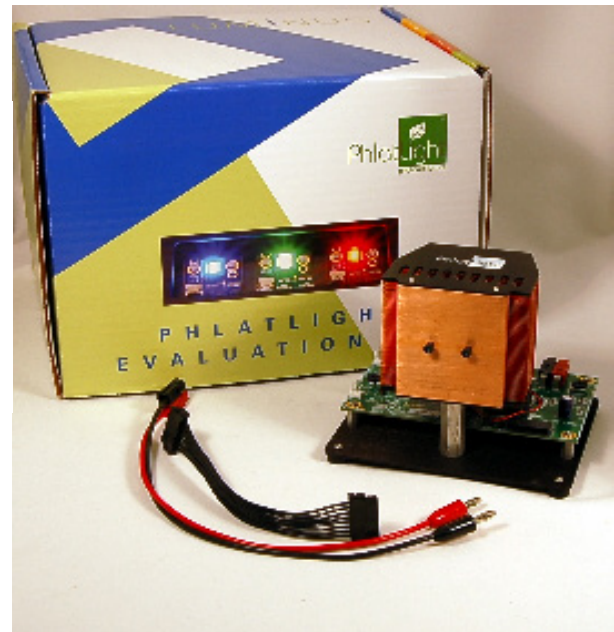
Email & Skype: info@chipsmall.com Web: www.chipsmall.com

Address: A1208, Overseas Decoration Building, #122 Zhenhua RD., Futian, Shenzhen, China



PhlatLight LED Development Kit Manual

DK-409N Series



Introduction:

PhlatLight LEDs, from Luminus Devices, have been designed from the ground up to enable a new class of illumination and projection systems. Benefiting from a suite of innovations in chip technology, packaging, and thermal management, PhlatLight LEDs allow designers to achieve efficient light engine designs and deliver high brightness solutions.

The DK-409N series of PhlatLight Development Kits was designed for fast and simple evaluation of PhlatLight products. The included electrical and thermal solutions enable customers to easily breadboard or prototype their system without time consuming and costly development of driver boards and heat sinks.

Capable of providing up to 9A and designed to work with all CBM series parts and their associated applications, the DK-409N development kits support various different drive conditions and use scenarios.

This plug and play solution can easily be connected to common laboratory equipment through standard connectors and allows system designers to save weeks in their development cycles.

Table of Contents:

1. Key Features 2
2. Development Kit Contents 2
 - 2.1 Heat Sink 3
 - 2.2 Development Board 3
 - 2.3 Cable Assembly 3
 - 2.4 Thermal Interface Material and Mounting Hardware 3
3. User Instructions 4
 - 3.1 Electrical Connections 4
4. Operating Instructions 5
 - 4.1 Operation in Constant Current Mode 6
 - 4.2 Operation in Triggered Mode 6
 - 4.3 Operation in PWM Mode 7

1. Key Features

- Compatible with CBM-360 PhlatLight LED
- Driver board supplies currents up to 9A
- On board control for PWM dimming for lighting applications or 0-10V analog input
- Minimum Pulse width of 20 microseconds
- External Trigger input for machine vision with 13 preprogrammed pulse durations

2. Development Kit Contents

As seen in Figure 1, the content of each PhlatLight DK-409N Development Kit includes the following components:

- Heat sink/development board assembly
- Cable assemblies
- Thermal interface materials and mounting hardware
- User Manual

This development kit was designed with flexible features to allow for easy evaluation of PhlatLight LEDs. It was not optimized for size or for direct integration in end products. However, the underlying circuit and thermal design can be used as a reference by system designers. To this effect, the complete design files including schematics, mechanical drawings, and bills of materials are available upon request.

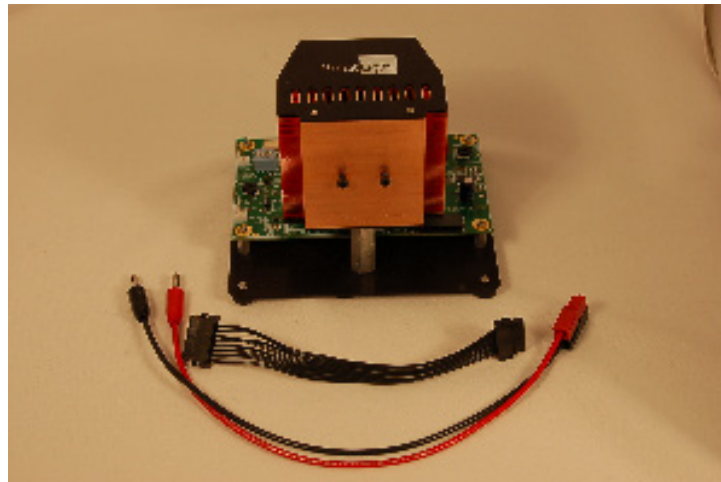


Figure 1: Single Channel Evaluation Kit Contents

2.1 Heat Sink

The heat sink is a high performance, low cost and compact air cooled copper sub mount with copper fins. Measuring 82 mm x 65 mm x 38mm, the heat sink occupies a very small volume. The typical thermal resistance from heat sink to ambient with the fan in operation is 0.3 °C/W, thereby enabling significant power dissipation.

The bolt pattern on the front face of the sink allows for easy mounting of all CBM series modules.

2.2 Development Board

The driver circuit, designed around National Semiconductor's LM3421 IC, is designed to provide up to 9A of current to any CBM PhlatLight LED. The board is mounted close to the heat sink and LED to ensure cable lengths are kept at a minimum (<3"). Longer cable lengths will cause increased current ringing when pulsing the LEDs.

The driver board is fully capable of driving the LEDs in either CW or pulsed mode. The PWM frequency is set to 25kHz. An external function generator is required for generating the pulse trains in the triggered mode and external PWM mode.

The driver requires a 24VDC input from an external AC/DC source. The external trigger voltage range is of 5 - 10V and the external PWM voltage input range is between 0 - 10V. Care must be taken to not exceed these voltages as it may cause permanent damage to the driver board.

2.3 Cable Assembly

Each development kit includes all of the cables necessary for proper setup. The primary cables included are as follows:

- Power supply to development board
- Driver board to LED

For optimum performance, it is not recommended to increase the length of the driver to LED cable. A longer cable will result in decreased performance when pulsing the LEDs.

2.4 Thermal Interface Material (TIMs) and Mounting Hardware

Also included in the kit are precut sheets of a high performance thermal interface material (eGraf HiTherm 1205) and the required mounting hardware for the devices.

M2.5x6 screws are provided for attachment of CBM and CSM package types.



Figure 2: TIM cut for CBM and CSM package types.

3. User Instructions

The following procedure explains how to setup the PhlatLight Evaluation Kit. It is recommended that the table be equipped with ESD protection.

Important Note: The driver board is capable of providing 9A of current to any device. Not all PhlatLight products can be powered at 9A. Care must be taken to ensure the proper current is applied to the device. Consult the product data sheets for current limitations of specific devices.

Equipment Required by User

In order to power and use the development kit, some additional equipment is required. Table 1 lists the type of equipment as well as a suggested part. An additional list of other compatible power supplies is provided in Appendix B.

Lab Equipment	Recommended Part
24V Lab Power Supply	Lambda ZUP36-12
Oscilloscope	Tektronix TDS 3024B
0-10V Power Supply	Lambda ZUP10-20
Multimeter	Fluke 187
Photodetector	Thorlabs PDA10A

Table 1: Additional Lab Equipment

3.1 Electrical Connections

The following sections assume that the user has all of the equipment listed in Table 1.

1. Prepare the power supply and ensure the power supply being used is capable of providing enough power to the devices. A single channel at full power will draw up to ~130W at 24V and 5.5A. If using a variable power supply like the Lambda ZUP36-12, preset the voltage to 24V and set the current to the maximum. Power off the supply until all connections are established and the board settings are ready.
2. Attach all of the wiring included in the kit. The black, 6" ERNI cable connects the LED to the driver board. Check to be sure the short 2-pin fan cable is connected to the driver board at the J3 position, labeled FAN.

4. Operating Instructions

There are multiple different ways the PhlatLight DK-409N Development Kit can be operated. The LEDs can be driven in continuous, current controlled mode via on-board POT; PWM controlled via onboard POT or external signal, or through an external analog voltage and dipswitch for machine vision applications. Additionally, each channel has inputs for an external function generator signal to pulse the LEDs and is capable of pulsing at frequencies of 25kHz.

To measure the current going to the LED, use a volt meter and measure the voltage across the sense resistor on the driver board, which is located at the “R12” position. The pads marked Sense+ and Sense- can also be used for easier access. (See Figure 3 for details) The current can then be calculated by the following formula:

$$I_{LED} = \frac{V_{Sense}}{R_{Sense}}$$

Equation 1

where V_{Sense} is the voltage measured across the sense resistor in Volts (V) and R_{Sense} is the value of the sense resistor in Ohms. The sense resistor value is 0.027Ω . The output value will be the current going to the LED in amps

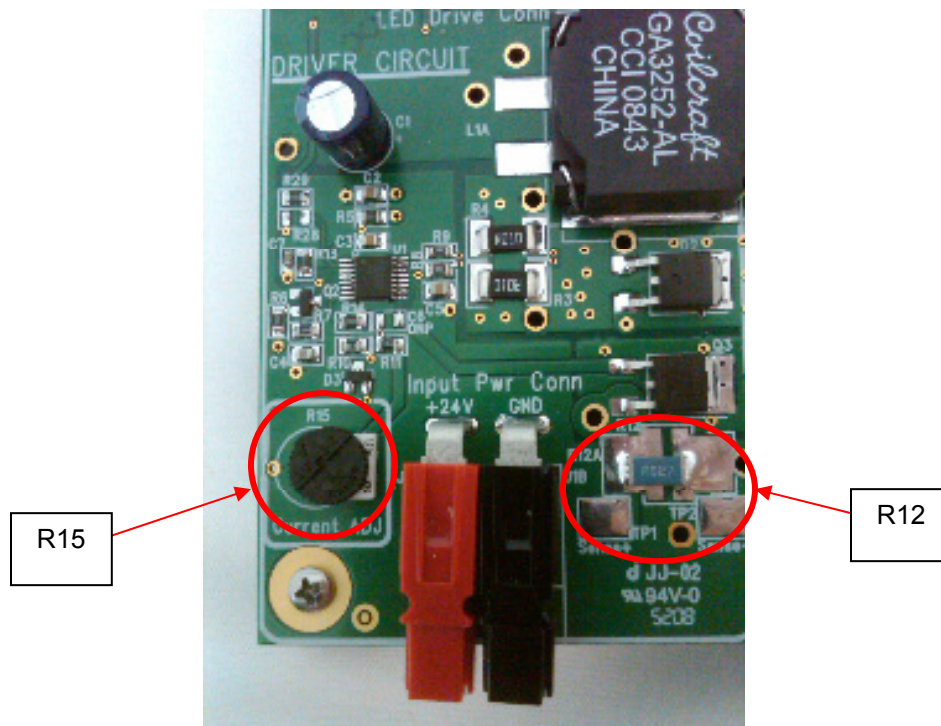


Figure 3: Driver Locations for R12 and R15

4.1 Operation in Constant Current Mode

1. Set switch SW3/5 to the “TRIG” position. This will illuminate the green indicator of D6 indicating the driver in triggered mode.
2. Set the dip switch SW1 to be in “Always ON” mode. The settings for this are included in table 2.
3. Use the on board Potentiometer R15 to adjust the current to the LED. (See figure 3 for details)

Switch Position	A	B	C	D	Mode
0	0	0	0	0	OFF
1	0	0	0	1	T1 (50us)
2	0	0	1	0	T2 (100us)
3	0	0	1	1	T3 (250 us)
4	0	1	0	0	T4 (500us)
5	0	1	0	1	T5 (1 ms)
6	0	1	1	0	T6 (5 ms)
7	0	1	1	1	T7 (10 ms)
8	1	0	0	0	T8 (25 ms)
9	1	0	0	1	T9 (50 ms)
10	1	0	1	0	T10 (100 ms)
11	1	0	1	1	T11 (250 ms)
12	1	1	0	0	T12 (500 ms)
13	1	1	0	1	T13 (1 s)
14	1	1	1	0	Gated
15	1	1	1	1	Always ON

Table 2: DIP Switch Settings

4.2 Operation in Triggered Mode

1. Set the maximum desired current to the LED by following step 4.1
2. Using the DIP switch SW1 select a preprogrammed time interval as shown in Table2 or select the “gated” function if the time interval will be set by an external source.
3. Attach an external source capable of providing between 5 - 10 V to J6 as the trigger mechanism.
 - a. If a preprogrammed time interval was selected, the LED will light up for that time period every time the driver board sees a voltage on J6 between 5 - 10V.
 - b. If the “gated” function was selected, the LED will light up for as long as there is a voltage applied between 5 - 10V on J6.

4.3 Operation in PWM Mode

1. Set the maximum desired current to the LED by following step 4.1
2. Set Switch SW3 to “PWM” Mode
3. Use switch SW2/4 to select the “POT” position for using the on board Potentiometer R21 to control the PWM settings or the “EXT” position for using an external analog voltage on J7 in the range of 0 - 10V to control the PWM settings
 - a. In the “POT” setting the LED D7 will illuminate indicating that the driver is using the on board Potentiometer for PWM control
 - b. In the “EXT” setting the LED D8 will illuminate indicating that the driver is expecting an external voltage on J7 for PWM control

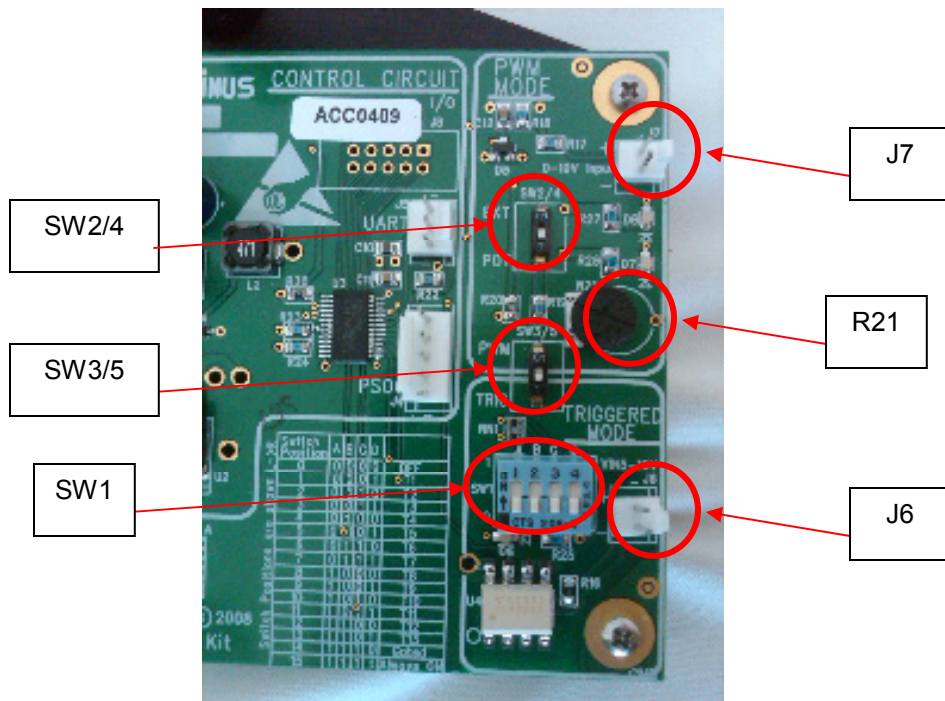


Figure 4: Driver Locations for SW1, SW3/5, SW2/4, R21, J6 and J7