



Chipsmall Limited consists of a professional team with an average of over 10 year of expertise in the distribution of electronic components. Based in Hongkong, we have already established firm and mutual-benefit business relationships with customers from,Europe,America and south Asia,supplying obsolete and hard-to-find components to meet their specific needs.

With the principle of “Quality Parts,Customers Priority,Honest Operation,and Considerate Service”,our business mainly focus on the distribution of electronic components. Line cards we deal with include Microchip,ALPS,ROHM,Xilinx,Pulse,ON,Everlight and Freescale. Main products comprise IC,Modules,Potentiometer,IC Socket,Relay,Connector.Our parts cover such applications as commercial,industrial, and automotives areas.

We are looking forward to setting up business relationship with you and hope to provide you with the best service and solution. Let us make a better world for our industry!



Contact us

Tel: +86-755-8981 8866 Fax: +86-755-8427 6832

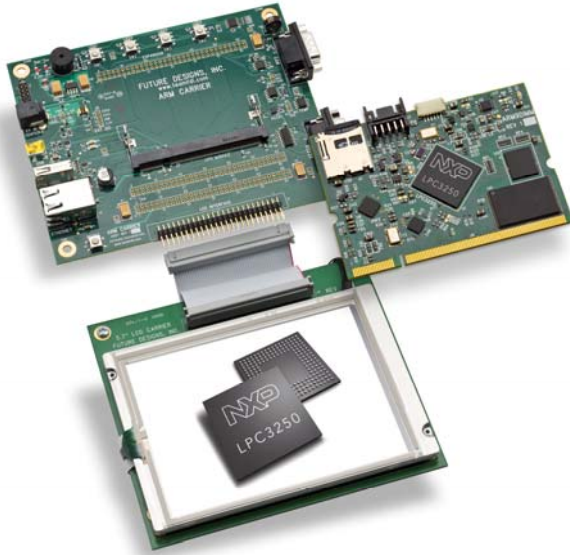
Email & Skype: info@chipsmall.com Web: www.chipsmall.com

Address: A1208, Overseas Decoration Building, #122 Zhenhua RD., Futian, Shenzhen, China



5.7" QVGA Touch Screen LCD Kit

DK-57TS-LPC3250
For the NXP LPC3250

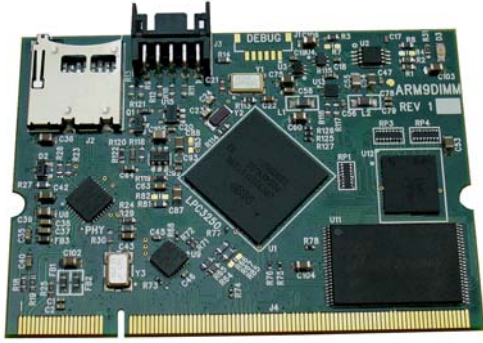


Highlights

- **SOMDIMM – CPU System On Module, DIMM form factor (Dual Inline Memory Module)**
 - LPC3250 266MHz ARM926EJ-S based microcontroller
 - 256KB of Internal SRAM, 512MB* NAND FLASH, 64MB* of External SDRAM
 - 10/100 Ethernet PHY
 - Micro SD Memory Socket
 - Mini-JTAG Debug Connector
- **CARRIER – Generic Carrier Board for CPU and LCD Modules**
 - 200-pin SOMDIMM Socket, supporting various processor Modules
 - 10/100 Ethernet Port, USB Host and Device ports
 - One RS-232 port (Male DB9), External I2C interface
 - 3-axis Digital Accelerometer & Temperature Sensor
 - Real-time Clock with SuperCap backup
 - TFT interface for Graphics LCD displays up to 1024x768 resolution, 18-bit color
 - Flexible Power Supply input can be wall supply or 5V USB
- **LCD CARRIER**
 - 5.7" QVGA Display with Touch Screen Interface
 - Optional 3.5" QVGA board, up to 10.4" XGA Board
- **Software Included**
 - Linux Operating System
 - VMWare Development Virtual Machine Image
 - Linux Driver support: LCD frame buffer, Touch screen, NAND-Flash, SDRAM, MMC, USB, I2C, SPI, DMA, Ethernet, RS232, and RTC.
- **Supplied with easy-to-use application documents for all hardware and software**
- **Platform is based on a modular design for maximum flexibility**
- **Additional CPU SOMDIMM and LCD Carrier boards under development**

The DK-57TS-LPC3250 is optimized to save development time in typical embedded control applications. The modular format uses a base Carrier Board, a core CPU SOMDIMM and an LCD Carrier Board. The base Carrier Board includes expansion connectors for added flexibility and a range of configurations. FDI offers low cost customization services for customer specific hardware, software or packaging applications at volumes of 500 units or more.

Features



SOMDIMM-LPC3250 Description

The SOMDIMM-LPC3250 includes an NXP LPC3250 ARM9EJ-S based microcontroller running the open source Linux software platform. The LPC3250 has 256KB of internal SRAM memory, a 10/100 Ethernet Media Access Controller (MAC), a USB full speed device/host/OTG controller, seven UARTs, and a collection of serial communications interfaces. The SOMDIMM-LPC3250 also includes 64MB* of external SDRAM and 512MB* of external NAND FLASH.

Actual PCB dimensions are 2.66" x 1.89"

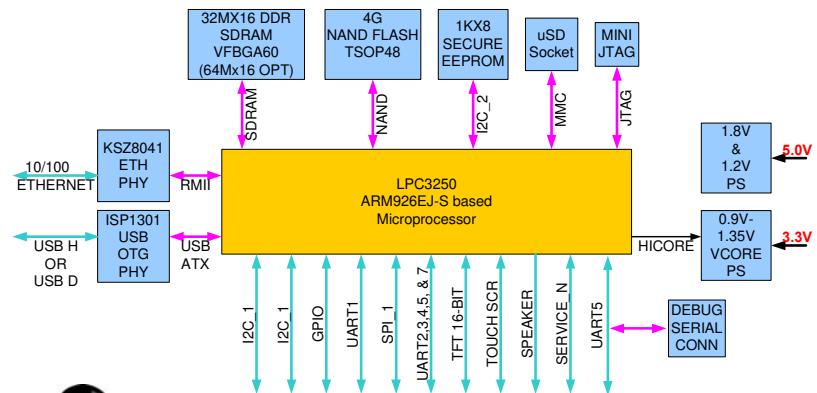
Software Included:

Linux Board Support Package

- Linux Operating System
- Bootloader (both primary boot loader and u-boot bootloader)
- VMWare Development Virtual Machine Image

Linux Drivers support:

- LCD frame buffer
- Touch Screen
- NAND-Flash, SDRAM, MMC
- USB, SPI, DMA, Ethernet, RS232, I2C, RTC.



SOMDIMM-LPC3250 Block Diagram

Ordering Information

Part Number: DK-57TS-LPC3250
NXP Part Number: OM11078

Order Online at: www.digikey.com

Warranty: 30-day money back guarantee
Phone 256-883-1240 Fax 256-883-1241
www.teamfdi.com

* Rev 2 SOMDIMM-LPC3250 and later

Kit Contents:

- SOMDIMM-LPC3250 Board
- CARRIER Board
- LCD CARRIER Board & 5.7" QVGA LCD Touch Screen
- 5VDC, 2.3A North American Power Supply
- USB and Ethernet Cables
- Segger JTAG Debugger with cables

Download Users Manual, documents, schematics, and software examples at:

www.teamfdi.com/SOMDIMM-LPC3250

FDI *Future Designs, Inc.*
Your Development Partner