



Chipsmall Limited consists of a professional team with an average of over 10 year of expertise in the distribution of electronic components. Based in Hongkong, we have already established firm and mutual-benefit business relationships with customers from,Europe,America and south Asia,supplying obsolete and hard-to-find components to meet their specific needs.

With the principle of “Quality Parts,Customers Priority,Honest Operation,and Considerate Service”,our business mainly focus on the distribution of electronic components. Line cards we deal with include Microchip,ALPS,ROHM,Xilinx,Pulse,ON,Everlight and Freescale. Main products comprise IC,Modules,Potentiometer,IC Socket,Relay,Connector.Our parts cover such applications as commercial,industrial, and automotives areas.

We are looking forward to setting up business relationship with you and hope to provide you with the best service and solution. Let us make a better world for our industry!



Contact us

Tel: +86-755-8981 8866 Fax: +86-755-8427 6832

Email & Skype: info@chipsmall.com Web: www.chipsmall.com

Address: A1208, Overseas Decoration Building, #122 Zhenhua RD., Futian, Shenzhen, China



SPECIFICATION CONTROL DRAWING
CONTACTS, ELECTRICAL CONNECTOR, CONCENTRIC TRIAX FOR TWINAX CABLE, SOCKET,
SOLDERTACT® , SIZE 8
(FOR MIL-C-38999 SERIES I, III AND IV)

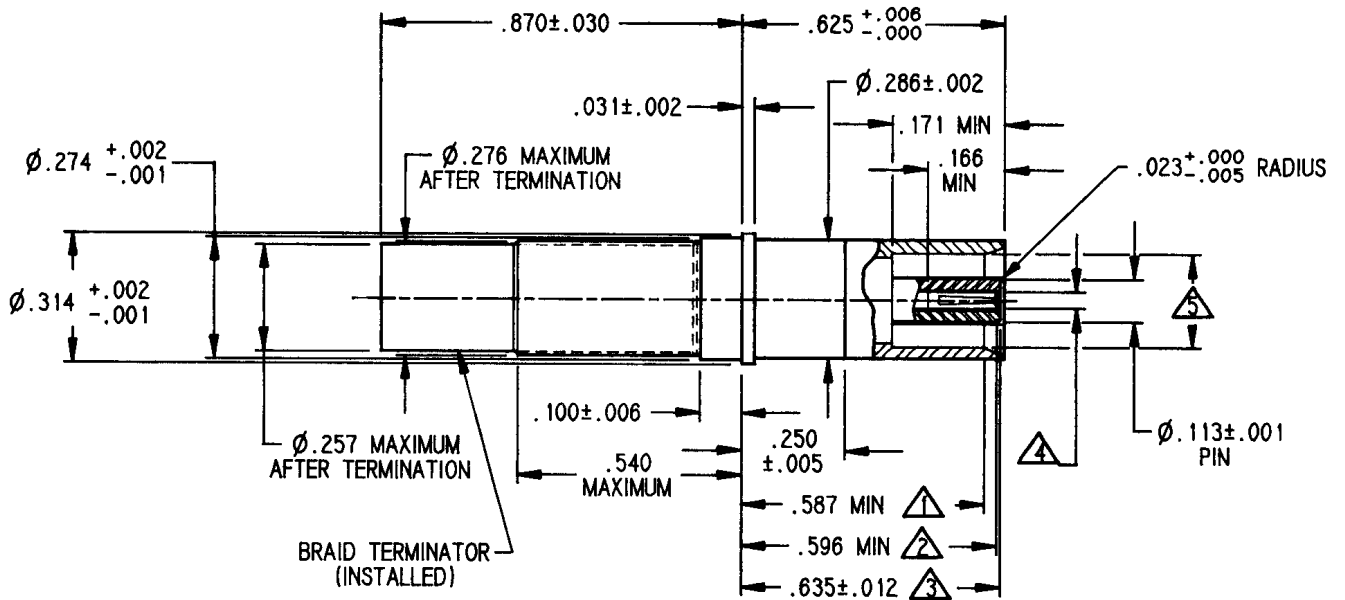


FIGURE 1

TABLE I							
INCH	MM	INCH	MM	INCH	MM	INCH	MM
.0010	0.03	.0300	0.76	.2570	6.53	.5870	14.91
.0020	0.05	.0310	0.79	.2740	6.96	.5960	15.14
.0050	0.13	.1000	2.54	.2760	7.01	.6250	15.88
.0060	0.15	.1130	2.87	.2860	7.26	.6350	16.13
.0120	0.30	.1660	4.22	.3140	7.98	.8700	22.10
.0230	0.58	.1710	4.34	.5400	13.72		

NOTES:

- △ TO POINT OF ENGAGEMENT OF OUTER SOCKET CONTACT WITH A .218 BASIC DIAMETER PIN.
 - △ TO POINT OF ENGAGEMENT OF INNER SOCKET CONTACT WITH A .0240 BASIC DIAMETER PIN.
 - △ TO END OF MIDDLE PIN CONTACT.
 - △ MATES WITH A .0240 ± .0005 DIAMETER PIN.
 - △ MATES WITH A .218 ± .001 DIAMETER PIN.
6. DIMENSIONS ARE IN INCHES AFTER PLATING.
7. METRIC DIMENSIONS ARE FOR INFORMATION ONLY.

If this document is printed it becomes uncontrolled.
Check for the latest revision.

PREPARED BY LUTTICKEN	CAD NAME: 001174	APPROVED M. HIGGY	APPROVED P. SONI	DOCUMENT NUMBER DK-602-0157 SERIES
---------------------------------	----------------------------	-----------------------------	----------------------------	--

tyco
Electronics

Tyco Electronics Corporation
300 Constitutional Drive
Menlo Park, CA 94025 USA

Raychem

DOCUMENT NUMBER

DK-602-0157 Series

REVISION

G

Configuration: DK-602-0157-Series Kit contains a contact per Figure 1 and a Braid Terminator as described in Table II. Note the dash number following the part number.

TABLE II

Part Number	Braid Terminator	Cable O.D. Ref.
DK-602-0157-1	D-600-0044-1	.140 max.
DK-602-0157-2	D-600-0044-2	.155 max.
DK-602-0157-3	D-600-0044-3	.170 max.
DK-602-0157-4	D-600-0044-4	.180 max.

Qualification: Qualification Test Report is on file at Raychem.

Designs and Construction: Dimensions (Figure 1), design characteristics and configurations meet the functional requirement of M39029/91 for cable listed in Table III.

TABLE III. DESIGN CHARACTERISTICS

Contact Cavity Size	Cables Accommodated <u>1/</u>	Type	Class
8	<u>Raychem</u> 10612 10613 10614	(D) Copper Alloy Shielded	(A) 125°C

1/ Other applications should be submitted to Raychem for evaluation.

Mating Contact: D-602-0156, D-602-0169 and M39029/90.

Tools: See Table IV.

TABLE IV. TOOLS

Heating Tools <u>2/</u>	Reflectors <u>2/</u>	Holding Fixtures <u>2/</u>	Installing Tools	Removal Tools
AA-400 Super Heater	Mini Solder Sleeve	Raychem	M81969/14-06	M81969/14-06
CV-5300 Mini Gun	MG-1 Solder Sleeve	AD-1319 with AT-1319-14,	M81969/46-06	M81969/46-12

2/ See Termination Procedure: Raychem ES 61231.



Tyco Electronics Corporation
300 Constitutional Drive
Menlo Park, CA 94025 USA

Raychem

DOCUMENT NUMBER
DK-602-0157 Series

REVISION
G

Electrical Performance:

Contact Resistance: See Table V.

TABLE V. CONTACT RESISTANCE

Test Cable	Maximum Voltage Drop (millivolts)									Test Current (Amps)		
	25° +3° -0°C			3/ 25° +3° -0°C			125° +3° -0°C					
	CONTACT											
	I N N E R	M I D D L E	O U T E R	I N N E R	M I D D L E	O U T E R	I N N E R	M I D D L E	O U T E R	I N N E R	M I D D L E	O U T E R
<u>Raychem</u> 10612	55	55	75	66	66	90	94	94	128	1.0	1.0	12.0

3/ After conditioning.

Low Signal Level Contact Resistance: See Table VI.

TABLE VI. LOW SIGNAL LEVEL CONTACT RESISTANCE (INNER CONTACT ONLY)

Test Cable	Maximum Contact Resistance (milliohms)	
	Initial	After Conditioning
<u>Raychem</u> 10612	55	66

If this document is printed it becomes uncontrolled.
Check for the latest revision.

Dielectric Withstanding Voltage: See Table VII.

TABLE VII. DIELECTRIC WITHSTANDING VOLTAGE

Contacts	Altitude	Test Voltages ac rms
Inner to Middle	Sea Level	1000
Middle to Outer	Sea Level	500

Operating Frequency: 0 to 20 MHz (operating frequency range)

Voltage Rating: 500 volts rms maximum at sea level; 125 volts at 70,000 feet

Mechanical Performance:

Contact Engagement and Separation Force (Socket Contacts Only): See Table VIII.

TABLE VIII. CONTACT ENGAGEMENT AND SEPARATION FORCE

Test Pin Diameter (inch)	Minimum Separation Force (ounces)		Maximum Engagement Force (ounces)	
	Initial	After Conditioning	Initial	After Conditioning
.2190 $\begin{matrix} +.0000 \\ -.0001 \end{matrix}$	NA	NA	48	60
.2170 $\begin{matrix} +.0001 \\ -.0000 \end{matrix}$	3.0	2.0	NA	NA
.0245 $\begin{matrix} +.0000 \\ -.0001 \end{matrix}$	NA	NA	12	14
.0235 $\begin{matrix} +.0001 \\ -.0000 \end{matrix}$	0.5	0.4	NA	NA

Tensile Strength: See Table IX.

TABLE IX. TENSILE STRENGTH (AT AMBIENT)

Test Cable	Tensile Strength (pounds) (minimum) ^{4/}		
	Inner Contact	Middle Contact	Outer Contact
<u>Raychem</u>			
10612	8	8	15
10613	8	8	25
10614	8	8	25

^{4/} Cable may break before the termination.

Vibration: Per MIL-C-39029/91A.

High Impact Shock: Per MIL-C-39029/91A.

Environmental Performance:

Operating Temperature: -65°C to +125°C.

Humidity: Per MIL-C-39029/91A at rated temperature for Type A contact.

Material:

Raw Material and Plating: Per MIL-C-39029, Type D.

Dielectric: Fluoropolymer.

Insulation Sleeve: Polyvinylidene Fluoride.

Solder: Sn63 per QQ-S-571 with RMA flux.

tycoTyco Electronics Corporation
300 Constitutional Drive
Menlo Park, CA 94025 USA**Raychem**

DOCUMENT NUMBER

DK-602-0157 Series

REVISION

G

Electronics

REV. LETTER	PAGE	DETAILS OF REVISION	DATE	BY
N/C	1-6	Released per E.O. D-3208	02/21/85	IM
A	1-6	Revised per E.O. D-3338	05/16/85	IM
B	1	Revised per E.O. D-3456	06/05/85	IM
C	1-6	Revised per ECN T-06289	5/20/86	<i>[Signature]</i>
D	2	Revised per ECN T-7900	4/15/87	<i>[Signature]</i>
E	1,4	REVISED PER ECN T-08767	10/19/87	<i>[Signature]</i>
F	1-6	Revised per ECN T-012254	6/15/89	<i>M. Higgins</i>
G	2,6	Revised per ECN T-12832	8/28/89	<i>M. Higgins</i>

If this document is printed it becomes uncontrolled.
Check for the latest revision.

NOTICE THE INFORMATION GIVEN HEREIN, INCLUDING DRAWINGS, ILLUSTRATIONS AND SCHEMATICS WHICH ARE INTENDED FOR ILLUSTRATION PURPOSES ONLY, IS BELIEVED TO BE RELIABLE. HOWEVER, RAYCHEM MAKES NO WARRANTIES AS TO ITS ACCURACY OR COMPLETENESS AND DISCLAIMS ANY LIABILITY IN CONNECTION WITH ITS USE. RAYCHEM'S OBLIGATIONS SHALL BE ONLY AS SET FORTH IN RAYCHEM'S STANDARD TERMS AND CONDITIONS OF SALE FOR THIS PRODUCT AND IN NO CASE WILL RAYCHEM BE LIABLE FOR ANY INCIDENTAL, INDIRECT OR CONSEQUENTIAL DAMAGES ARISING OUT OF THE SALE, RESALE, USE OR MISUSE OF THE PRODUCT.

USERS OF RAYCHEM PRODUCTS SHOULD MAKE THEIR OWN EVALUATION TO DETERMINE THE SUITABILITY OF EACH SUCH PRODUCT FOR THE SPECIFIC APPLICATION.