



Chipsmall Limited consists of a professional team with an average of over 10 year of expertise in the distribution of electronic components. Based in Hongkong, we have already established firm and mutual-benefit business relationships with customers from,Europe,America and south Asia,supplying obsolete and hard-to-find components to meet their specific needs.

With the principle of “Quality Parts,Customers Priority,Honest Operation,and Considerate Service”,our business mainly focus on the distribution of electronic components. Line cards we deal with include Microchip,ALPS,ROHM,Xilinx,Pulse,ON,Everlight and Freescale. Main products comprise IC,Modules,Potentiometer,IC Socket,Relay,Connector.Our parts cover such applications as commercial,industrial, and automotives areas.

We are looking forward to setting up business relationship with you and hope to provide you with the best service and solution. Let us make a better world for our industry!



Contact us

Tel: +86-755-8981 8866 Fax: +86-755-8427 6832

Email & Skype: info@chipsmall.com Web: www.chipsmall.com

Address: A1208, Overseas Decoration Building, #122 Zhenhua RD., Futian, Shenzhen, China



REVISIONS			
LTR	DESCRIPTION	DATE	APPROVED
N/C	INITIAL RELEASE PER ECN# T-20188	6/15/95	M.HIGGY
A	RELEASED PER ECN# T-21271	3/10/97	M.HIGGY

CONTACT, ELECTRICAL CONNECTOR, CONCENTRIC TWINAX, SOCKET, SHIELDED, SIZE 8,
SOLDERTACT[®], (FOR MIL-C-38999 SERIES I, III AND IV)

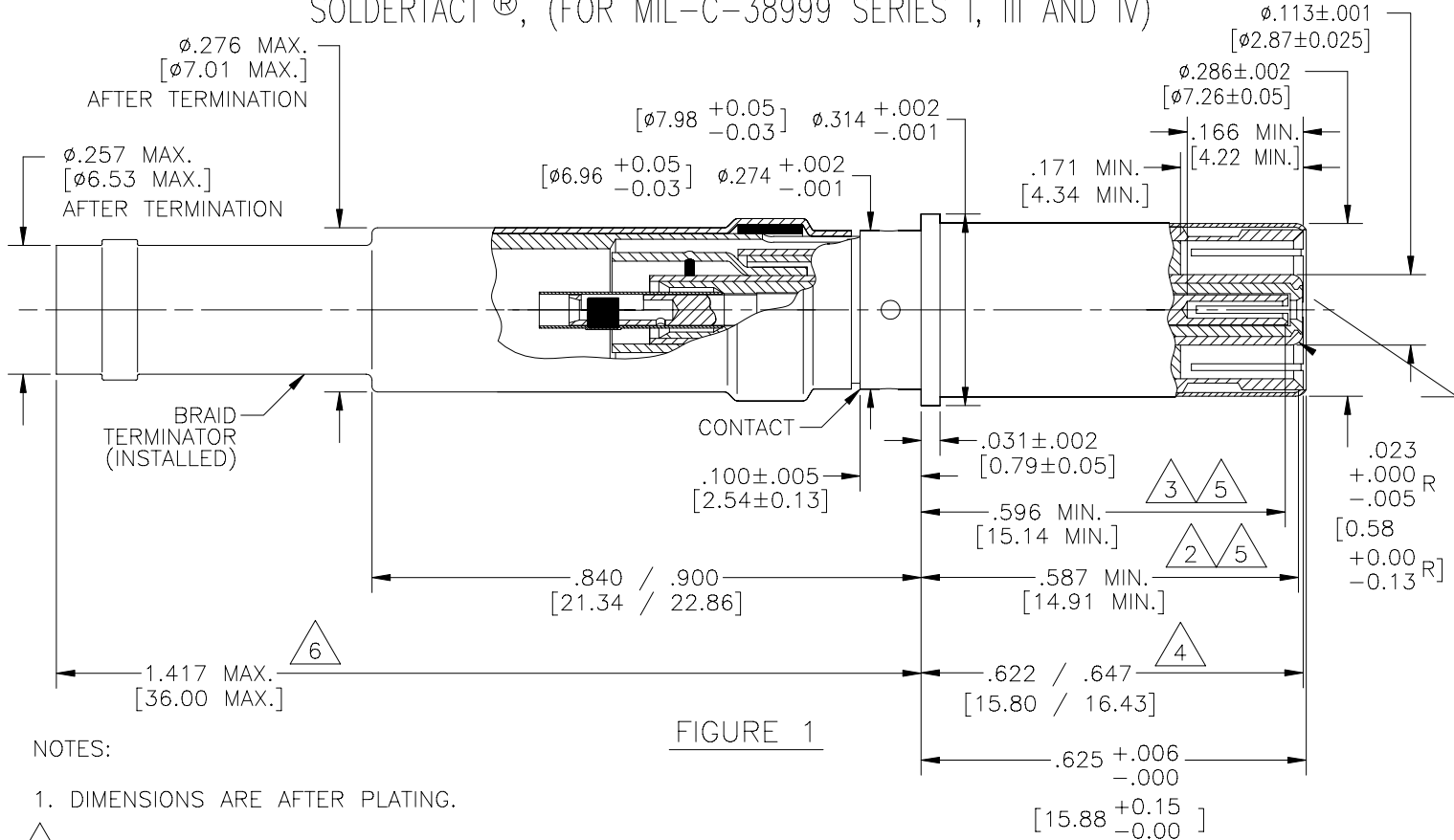


FIGURE 1

NOTES:

1. DIMENSIONS ARE AFTER PLATING.
- 2 SOCKET MATES WITH A .218±.001 [5.54±0.025] DIAMETER OUTER PIN.
- 3 SOCKET MATES WITH A .0240±.0005 [0.61±0.013] DIAMETER CENTER PIN.
- 4 TO END OF INTERMEDIATE PIN CONTACT.
- 5 POINT AT WHICH A SQUARE ENDED PIN OF THE SAME BASIC DIAMETER AS THE MATING CONTACT FIRST ENGAGES THE OUTER/CENTER CONTACTS SPRING. PROVISION FOR CLEARANCE HOLE SHALL BE PROVIDED FOR THE TEST PIN.
- 6 THIS DIMENSION APPLIES ONLY TO DK-602-0157-N-4 AND -8.

SPECIFICATION CONTROL DRAWING

If this document is printed it becomes uncontrolled.
Check for the latest revision.

UNLESS OTHERWISE SPECIFIED DIMENSIONS ARE IN INCHES. METRIC DIMENSIONS ARE IN BRACKETS.	DRAWN	JOHN B. KAY	95 MAY 2	tyco Electronics	Raychem Products	Tyco Electronics Corporation 305 Constitution Drive Menlo Park, CA 94025 U.S.A.
	CHECKED	JOHN B. KAY	95 JUNE 15			
	APPROVED	M.HIGGY	95 JUNE 15	TITLE SOCKET, SOLDERTACT [®] , SIZE 8 MIL-C-39029/91		
	APPROVED					
DECIMALS .XXX ± _____ .XX ± _____ ANGLES _____	CAD NAME T21271.DWG		SIZE A	CODE IDENT. NO. 06090	DWG. NO. DK-602-0157-N-X	REV A
WEIGHT SEE TABLE 1 (SHEET 2)	THIRD ANGLE PROJECTION	DO NOT SCALE THIS DRAWING		SHEET 1 OF 5		

If this document is printed it becomes uncontrolled. Check for the latest revision.

SEE SHEET 1 FOR REVISION

CONFIGURATION:

DK-602-0157-N-X IS A KIT, PER FIGURE 1, WHICH MAY CONTAIN A D-602-0157-N CONTACT, BRAID TERMINATOR AND ALIGNMENT/SEALING GROMMET (IS NOT SHOW) AS DESCRIBED IN TABLE I. NOTE: THE SUFFIX OF THE KIT PART NUMBER FOR THE PROPER MATCH OF THE CABLE SIZE, BRAID TERMINATOR AND GROMMET TYPE.

TABLE I				
KIT PART NUMBER	BRAID TERMINATOR	GROMMET	CABLE O.D.	KIT WEIGHT, GRAMS MAX.
DK-602-0157-N-0	-	①	.180 MAX.	-
DK-602-0157-N-1	D-600-0044-1	①	.140 MAX.	6.84
DK-602-0157-N-2	D-600-0044-2	①	.155 MAX.	6.83
DK-602-0157-N-3	D-600-0044-3	①	.170 MAX.	6.75
DK-602-0157-N-4	D-600-0044-4	①	.180 MAX.	7.51
DK-602-0157-N-5	D-600-0044-1	D-600-0071	.140 MAX.	-
DK-602-0157-N-6	D-600-0044-2	D-600-0071	.155 MAX.	-
DK-602-0157-N-7	D-600-0044-3	D-600-0071	.170 MAX.	-
DK-602-0157-N-8	D-600-0044-4	D-600-0071	.180 MAX.	-
DK-602-0157-N-9	-	D-600-0125 ②	.180 MAX.	-

- ① INTENDED TO BE USED WITH COSTUMER SUPPLIED GROMMET. PERFORMANCE IS RESPONSIBILITY OF THE COSTUMER.
- ② D-600-0125 SHORT GROMMET IS INTENDED FOR USE ONLY WITHOUT BRAID TERMINATOR.

QUALIFICATION: THIS CONTACT MEETS THE REQUIREMENTS OF U.S. AIR FORCE DRAWING 8912019.

REQUIREMENTS: DIMENSIONS (FIGURE 1), DESIGN CHARACTERISTICS, AND CONFIGURATIONS MEET THE REQUIREMENTS OF M39029/91, EXCEPT THAT THE TEMPERATURE RATING IS 125°C INSTEAD OF 175°C. TERMINATION IS BY SOLDERING INSTEAD OF CRIMPING. SEE TABLE II FOR CABLE ACCOMMODATIONS. THIS DESIGN, WHICH PROVIDES THE INDUSTRY STANDARD MATING SEQUENCE (SHIELD, INTERMEDIATE, CENTER CONTACT), IS AN IMPROVED VERSION OF THE EXISTING RAYCHEM SOLDERTACT® P/N DK-602-0157 SERIES. THIS SEQUENCE IS NOT GUARANTEED BY THE M39029/91 INTERFACE DIMENSIONS.

TABLE II				
CONTACT CAVITY SIZE	KIT PART NUMBER	CABLES ACCOMMODATED ③	TYPE	CLASS
8	DK-602-0157-N-1 DK-602-0157-N-2 DK-602-0157-N-3 DK-602-0157-N-4	RAYCHEM 10612 RAYCHEM 10613 RAYCHEM 10614	(D) COPPER ALLOY SHIELDED	(A) 125°C

③ OTHER APPLICATIONS SHOULD BE SUBMITTED TO TYCO ELECTRONICS/RAYCHEM FOR EVALUATION.

MATING CONTACT: D-602-0156-N-X AND M39029/90.

SHEET 2 OF 5	DRAWN	J.B.KAY	95 MAY 2	SIZE	CODE IDENT. NO.	DWG. NO.	REV
	ISSUED			A	06090	DK-602-0157-N-X	A
				DO NOT SCALE THIS DRAWING		CAD NAME T21271-2.DWG	SCALE: NONE

SEE SHEET 1 FOR REVISION

TOOLS: SEE TABLE III.

TABLE III				
HEATING TOOLS ④	REFLECTORS ④	HOLDING FIXTURES ④	INSTALLING TOOLS	REMOVAL TOOLS
AA-400 SUPER HEATER	MINI SOLDER SLEEVE	RAYCHEM	M81969/14-06	M81969/14-06
STEINEL HOT AIR GUN HL-1802E-KIT-120	STEINEL NOZZEL 07460	AD-1319 WITH AT-1319-14	M81969/46-06	M81969/46-12

④ SEE TERMINATION PROCEDURE: TYCO ELECTRONICS/RAYCHEM ES 61231

ELECTRICAL PERFORMANCE:

If this document is printed it becomes uncontrolled. Check for the latest revision.

CONTACT RESISTANCE: SEE TABLE IV

TABLE IV												
TEST CABLE	MAXIMUM VOLTAGE DROP (MILLIVOLTS)									TEST CURRENT (AMPS)		
	25° +3° -0° C			⑤ 25° +3° -0° C			125° +3° -0° C					
	CONTACT											
	I N N E R	M I D D L E	O U T E R	I N N E R	M I D D L E	O U T E R	I N N E R	M I D D L E	O U T E R	I N N E R	M I D D L E	O U T E R
<u>RAYCHEM</u>												
10612												
10613												
10614												
	55	55	75	66	66	90	94	94	128	1.0	1.0	12.0

⑤ AFTER CONDITIONING.

LOW SIGNAL LEVEL CONTACT RESISTANCE: SEE TABLE V

TABLE V. LOW SIGNAL LEVEL CONTACT RESISTANCE (INNER CONTACT ONLY)		
TEST CABLE	MAXIMUM CONTACT RESISTANCE (MILLIOHMS)	
	INITIAL	AFTER CONDITIONING
	<u>RAYCHEM</u> 10612 10613 10614	55

SHEET 3 OF 5	DRAWN	J.B.KAY	95 MAY 2	SIZE	CODE IDENT. NO.	DWG. NO.	REV
	ISSUED			A	06090	DK-602-0157-N-X	A
				DO NOT SCALE THIS DRAWING		CAD NAME	T21271-3.DWG
						SCALE:	NONE

If this document is printed it becomes uncontrolled.
Check for the latest revision.

DIELECTRIC WITHSTANDING VOLTAGE: SEE TABLE VI

TABLE VI. DIELECTRIC WITHSTANDING VOLTAGE		
CONTACTS	ALTITUDE	TEST VOLTAGES, AC RMS
INNER TO MIDDLE	SEA LEVEL	1000
MIDDLE TO OUTER	SEA LEVEL	500

OPERATING FREQUENCY: 0 TO 20 MHZ (OPERATING FREQUENCY RANGE)

VOLTAGE RATING: 500 VOLTS RMS MAXIMUM AT SEA LEVEL; 125 VOLTS AT 70,000 FEET

MECHANICAL PERFORMANCE:

CONTACT ENGAGEMENT AND SEPARATION FORCE (SOCKET CONTACTS ONLY): SEE TABLE VII

TABLE VII. CONTACT ENGAGEMENT AND SEPARATION FORCE				
TEST PIN DIAMETER (INCH)	MINIMUM SEPARATION FORCE (OUNCES)		MAXIMUM ENGAGEMENT FORCE (OUNCES)	
	INITIAL	AFTER CONDITIONING	INITIAL	AFTER CONDITIONING
.2190 ^{+.0000} / _{-.0001}	NA	NA	48	60
.2170 ^{+.0001} / _{-.0000}	3.0	2.0	NA	NA
.0245 ^{+.0000} / _{-.0001}	NA	NA	12	14
.0235 ^{+.0001} / _{-.0000}	0.5	0.4	NA	NA

SHEET 4 OF 5	DRAWN	J.B.KAY	95 MAY 2	SIZE	CODE IDENT. NO.	DWG. NO.	REV
	ISSUED			A	06090	DK-602-0157-N-X	A
				DO NOT SCALE THIS DRAWING		CAD NAME	SCALE: NONE
				T21271-4.DWG			

SEE SHEET 1 FOR REVISION

TENSILE STRENGTH: SEE TABLE VIII

TABLE VIII. TENSILE STRENGTH (AT AMBIENT)			
TEST CABLE	TENSILE STRENGTH (POUNDS) (MINIMUM) ⑥		
	INNER CONTACT	MIDDLE CONTACT	OUTER CONTACT
<u>RAYCHEM</u>			
10612	8	8	15
10613	8	8	25
10614	8	8	25

⑥ CABLE MAY BREAK BEFORE THE SOLDER JOINT TERMINATION.

VIBRATION: PER MIL-C-39029/91

HIGH IMPACT SHOCK: PER MIL-C-39029/91

ENVIRONMENTAL PERFORMANCE:

OPERATING TEMPERATURE: -65°C TO +125°C

HUMIDITY: PER MIL-C-39029/91

MATERIAL:

CONTACT BERYLLIUM COPPER, ALLOY 173, CONDITION H, ASTM B196, PER MIL-C-39029, TYPE D

PLATING OF CONTACT GOLD PLATE PER MIL-G-45204 TYPE II, GRADE C
50 MICROINCHES MINIMUM
OVER
NICKEL PER QQ-N-290A
50 MICROINCHES MINIMUM
OVER
COPPER STRIKE - 40 MICROINCHES MINIMUM

SOLDER Sn63 PER QQ-S-571

FLUX TYPE RMA PER MIL-F-14256

SHRINK TUBING HEAT-SHRINKABLE, RADIATION-CROSSLINKED
POLYVINYLIDENE FLUORIDE

DIELECTRIC ETFE FLUOROPOLYMER PER ASTM D3159

**If this document is printed it becomes uncontrolled.
Check for the latest revision.**

SHEET 5 OF 5	DRAWN	J.B.KAY	95 MAY 5	SIZE	CODE IDENT. NO.	DWG. NO.	REV
	ISSUED			A	06090	DK-602-0157-N-X	A
				DO NOT SCALE THIS DRAWING		CAD NAME T21271-5.DWG	SCALE: NONE