



Chipsmall Limited consists of a professional team with an average of over 10 year of expertise in the distribution of electronic components. Based in Hongkong, we have already established firm and mutual-benefit business relationships with customers from,Europe,America and south Asia,supplying obsolete and hard-to-find components to meet their specific needs.

With the principle of "Quality Parts,Customers Priority,Honest Operation,and Considerate Service",our business mainly focus on the distribution of electronic components. Line cards we deal with include Microchip,ALPS,ROHM,Xilinx,Pulse,ON,Everlight and Freescale. Main products comprise IC,Modules,Potentiometer,IC Socket,Relay,Connector.Our parts cover such applications as commercial,industrial, and automotives areas.

We are looking forward to setting up business relationship with you and hope to provide you with the best service and solution. Let us make a better world for our industry!



Contact us

Tel: +86-755-8981 8866 Fax: +86-755-8427 6832

Email & Skype: info@chipsmall.com Web: www.chipsmall.com

Address: A1208, Overseas Decoration Building, #122 Zhenhua RD., Futian, Shenzhen, China





ACHIEVING HIGH-PERFORMANCE CONNECTIVITY WITH A FULL-FEATURED, POWER-EFFICIENT 28NM KINTEX-7 FPGA

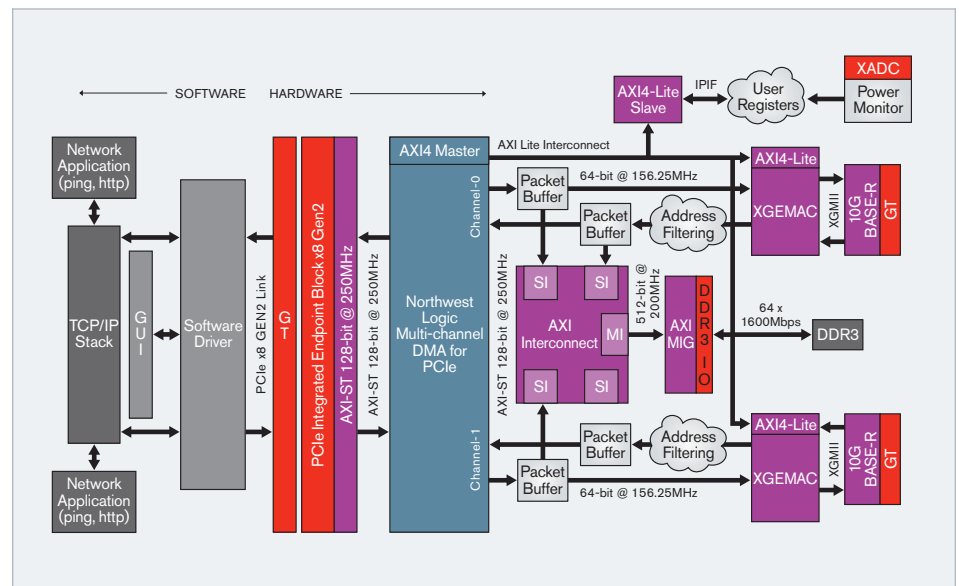
KINTEX-7 FPGA CONNECTIVITY KIT: KEEPING UP WITH BANDWIDTH DEMAND AND DYNAMIC SERIAL PROTOCOL STANDARDS

➤ Xilinx Connectivity Solutions

- Fast start up with out-of-box connectivity solution that combines silicon, design tools, and comprehensive reference design
- System performance up to 20Gbps, powered by a high-performance multichannel DMA and utilizing a 64-bit 1600Mbps DDR3 controller
- Exceptional throughput with x8 Gen2 PCI Express (PCIe®) lanes and dual 10G Ethernet links
- High levels of integration in the targeted reference design (TRD) which features the main system building blocks of PCI Express, Ethernet, AXI4 Interconnect and memory
- Robust offering including graphical user interface (GUI) to support TRD evaluation and power monitoring, software driver source code, and support for high-speed protocols and interconnects
- Productivity enhancements: open standards, common design methodologies, development tools, and workflows that suit software and hardware designers

With silicon processing power constantly increasing, connectivity often represents the critical engineering challenge. Driving up overall system performance and throughput calls for the ability to rapidly transition to higher-speed serial connections while minimizing power, costs, and form factors. Xilinx connectivity platforms simplify and accelerate the development of best-in-class, high-speed serial designs. The Kintex™-7 FPGA Connectivity Kit gives developers the convenience of an out-of-box development platform, complete with hardware, design tools, and reference design that enable efficient implementations and faster system deployments. State-of-the-art serial connectivity features enable 20Gbps system performance to unlock the power of the 7 series transceivers. The breadth of high-performance connectivity capabilities accelerates applications in wired and wireless communications, broadcast, industrial, storage, aerospace and defense, and other markets.

KINTEX-7 FPGA CONNECTIVITY TARGETED REFERENCE DESIGN



What's Inside the Kintex-7 FPGA Connectivity Kit

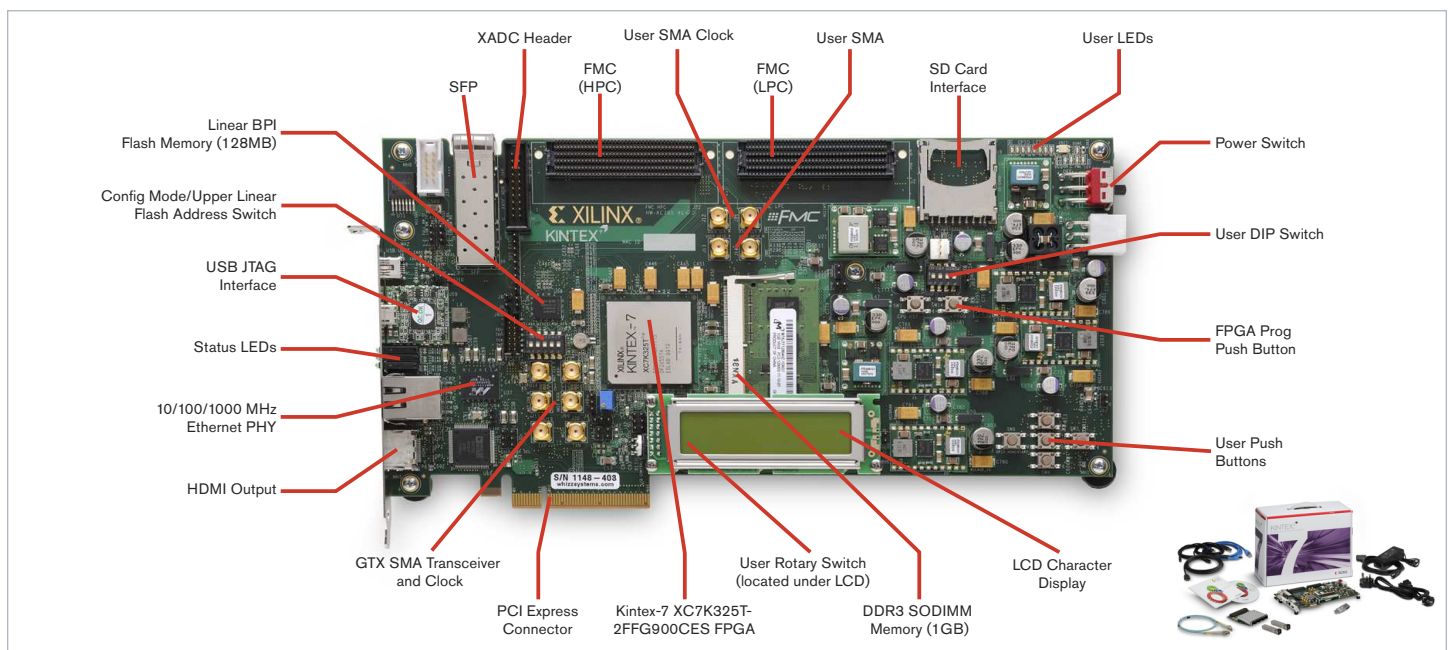
- KC705 Evaluation Board featuring the Kintex-7 XC7K325T-2FFG900CES FPGA
- Full-seat ISE® Design Suite Embedded Edition, device-locked for the Kintex-7 325T FPGA
- Connectivity Targeted Reference Design:
 - x8 PCIe Gen2
 - High-performance, multichannel DMA evaluation IP from Northwest Logic
 - Dual 10GBASE-R PHY interface
 - 64-bit, 1600Mbps DDR3 memory controller
 - Software driver source code
 - Enhanced control and monitor GUI
 - Power and temperature monitoring engine

Additional Materials*

- Board design files
- Documentation, including a step-by-step Getting Started Guide
- Abundant example designs* and demos
- USB, Ethernet, and HDMI cables
- Universal power supply and power cables
- USB flash drive

*Some designs, demonstrations, and documentation are delivered on the USB flash drive; others are available online.

BOARD FEATURES



Take the NEXT STEP

For more information, support, documents, and reference designs, or to purchase, please visit www.xilinx.com/k7connkit

Corporate Headquarters

Xilinx, Inc.
2100 Logic Drive
San Jose, CA 95124
USA
Tel: 408-559-7778
www.xilinx.com

Europe

Xilinx Europe
One Logic Drive
Citywest Business Campus
Saggart, County Dublin
Ireland
Tel: +353-1-464-0311
www.xilinx.com

Japan

Xilinx K.K.
Art Village Osaki Central Tower 4F
1-2-2 Osaki, Shinagawa-ku
Tokyo 141-0032 Japan
Tel: +81-3-6744-7777
japan.xilinx.com

Asia Pacific Pte. Ltd.

Xilinx, Asia Pacific
5 Changi Business Park
Singapore 486040
Tel: +65-6407-3000
www.xilinx.com



© Copyright 2012 Xilinx, Inc. XILINX, the Xilinx logo, Virtex, Spartan, ISE and other designated brands included herein are trademarks of Xilinx in the United States and other countries. All other trademarks are the property of their respective owners.

Printed in the U.S.A. PN 2518