



Chipsmall Limited consists of a professional team with an average of over 10 year of expertise in the distribution of electronic components. Based in Hongkong, we have already established firm and mutual-benefit business relationships with customers from,Europe,America and south Asia,supplying obsolete and hard-to-find components to meet their specific needs.

With the principle of “Quality Parts,Customers Priority,Honest Operation,and Considerate Service”,our business mainly focus on the distribution of electronic components. Line cards we deal with include Microchip,ALPS,ROHM,Xilinx,Pulse,ON,Everlight and Freescale. Main products comprise IC,Modules,Potentiometer,IC Socket,Relay,Connector.Our parts cover such applications as commercial,industrial, and automotives areas.

We are looking forward to setting up business relationship with you and hope to provide you with the best service and solution. Let us make a better world for our industry!



Contact us

Tel: +86-755-8981 8866 Fax: +86-755-8427 6832

Email & Skype: info@chipsmall.com Web: www.chipsmall.com

Address: A1208, Overseas Decoration Building, #122 Zhenhua RD., Futian, Shenzhen, China





Features:

- ◇ Space saving design only 0.67"(17mm) deep
- ◇ Occupies less than 2.5 x 1.1 inches of front panel space
- ◇ High contrast LCD
- ◇ 3½ digits with 0.39" LCD
- ◇ Snap-In bezel eliminates the need for mounting hardware
- ◇ Low power requirement (3mA) is ideal for battery powered applications
- ◇ User Selectable Decimal Points

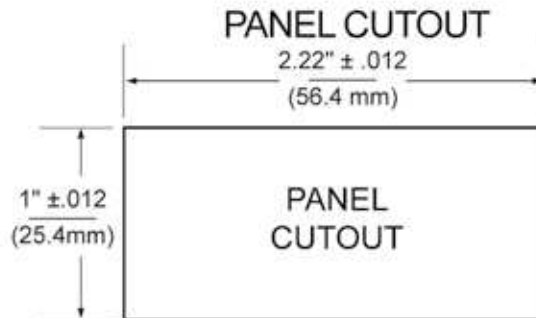
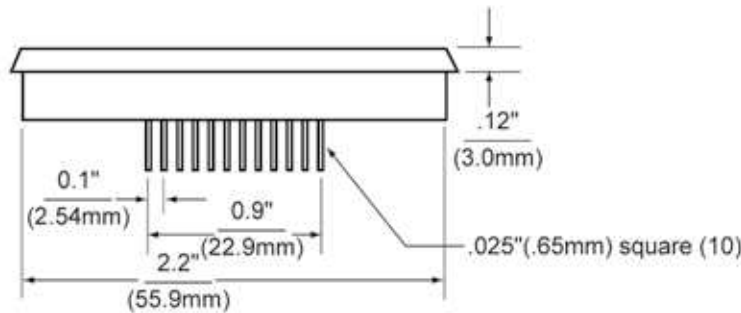
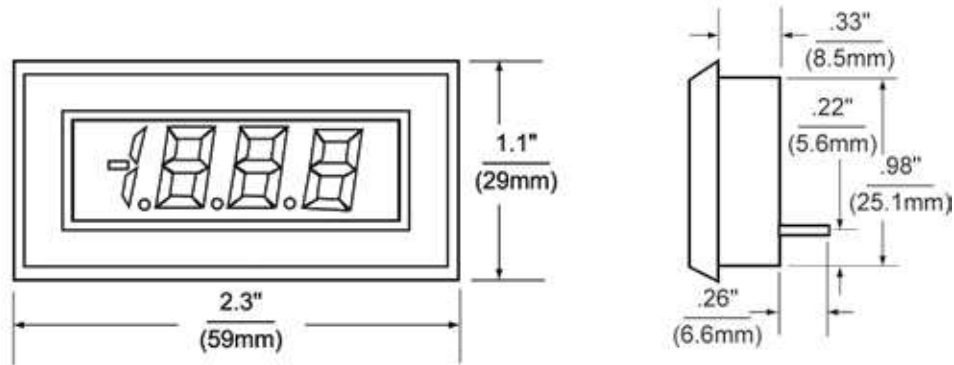
Specifications:

| | | | |
|----------------------|--|--|--------------|
| Display: | Digits: | 3 ½ digits (±1999 counts) | |
| | Type: | 0.39" (10mm) high contrast reflective LCD | |
| | Polarity: | automatic, "+" displayed. | |
| | Decimal Points: | 3 position, user selectable | |
| | Overrange: | three lower order digits blank for inputs >1999 & <-1999 | |
| | Hold: | display hold function is standard | |
| Inputs: | Ranges: | ±200.0 mV, ±2.000 V, ±20.00 VDC | |
| | Configuration: | bipolar, differential | |
| | Protection: | ±350 VDC, (±100 VDC on 200 mV range) | |
| | Impedance: | >1 MΩ, (>10 MΩ on 200 mV range) | |
| Performance: | Accuracy: | ±(0.1% + 1 counts) typical ±(0.2% + 2 counts) maximum | |
| | Conversion Rate: | 3 per second | |
| | Normal Mode Rejection: | >30 dB @ 60 Hz | |
| | Common Mode Range: | ±1 VDC | |
| | Common Mode Rej.: | >86 dB | |
| | Zero Adjustment: | automatic | |
| | Warmup: | 10 minutes typical | |
| | Temperature Coeff.: | ±100 ppm per °C typical | |
| | Environment: | Operating Range: | 0 to 50 °C |
| | | Storage Range: | -20 to 70 °C |
| Power Supply: | Voltage: | +5 VDC (±5%) | |
| | Current: | 3 mA | |
| Mounting: | snap-in bezel mount | | |
| Connection: | 10 pins, 0.025" square on 0.1" centers | | |

Ordering Information:

| PART NUMBER | METER INPUT |
|-------------|---|
| DK110..... | 200mV |
| DK111..... | 2V |
| DK112..... | 20V |
| C10-5..... | 5" - 10 Pin Connector / Wire Assembly |
| J1C10..... | 12" - 10 Pin Connector / Wire Assembly |
| PW2-5..... | Regulated 120V AC to 5V DC Power Supply |
| PW1.0..... | 24V AC to adjustable DC output |
| CPW1.5..... | 24V AC to adjustable DC output |
| CVC..... | Calibrator |

Dimensions & Wiring Connections



CONNECTION DESCRIPTIONS

| PIN | DESCRIPTION |
|--------|-------------------------|
| +5V | +5V DPM POWER SUPPLY |
| GND | DPM POWER SUPPLY GROUND |
| DP.C | DECIMAL POINT RETURN |
| DP.1 | 1XX.X |
| DP.2 | 1X.XX |
| DP.3 | 1.XXX |
| IN (+) | POSITIVE INPUT SIGNAL |
| IN (-) | NEGATIVE INPUT SIGNAL |
| NC | NO CONNECTION REQUIRED |
| HOLD | HOLD LAST DISPLAY |