



Chipsmall Limited consists of a professional team with an average of over 10 year of expertise in the distribution of electronic components. Based in Hongkong, we have already established firm and mutual-benefit business relationships with customers from,Europe,America and south Asia,supplying obsolete and hard-to-find components to meet their specific needs.

With the principle of “Quality Parts,Customers Priority,Honest Operation,and Considerate Service”,our business mainly focus on the distribution of electronic components. Line cards we deal with include Microchip,ALPS,ROHM,Xilinx,Pulse,ON,Everlight and Freescale. Main products comprise IC,Modules,Potentiometer,IC Socket,Relay,Connector.Our parts cover such applications as commercial,industrial, and automotives areas.

We are looking forward to setting up business relationship with you and hope to provide you with the best service and solution. Let us make a better world for our industry!



## Contact us

Tel: +86-755-8981 8866 Fax: +86-755-8427 6832

Email & Skype: info@chipsmall.com Web: www.chipsmall.com

Address: A1208, Overseas Decoration Building, #122 Zhenhua RD., Futian, Shenzhen, China





### Features:

- ◇ Low-cost, high-performance miniature snap-in DPM with annunciators
- ◇ Snap-in bezel mount eliminates mounting hardware
- ◇ Space-saving design: only .5" deep
- ◇ Occupies less than 1.75 X .95 inches of front panel space
- ◇ 3½ digits with high-contrast LCD

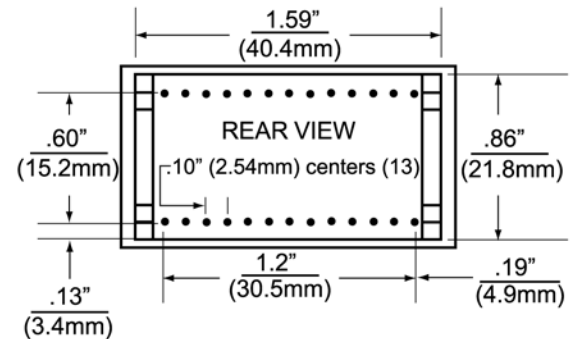
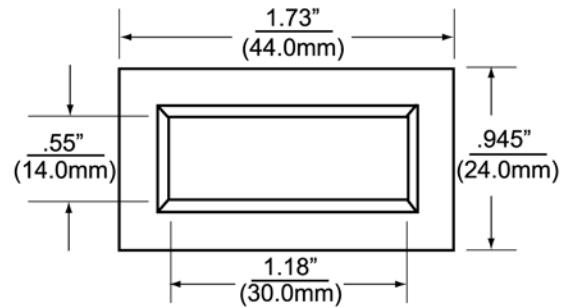
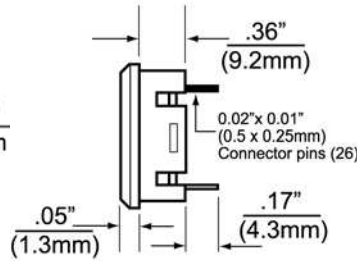
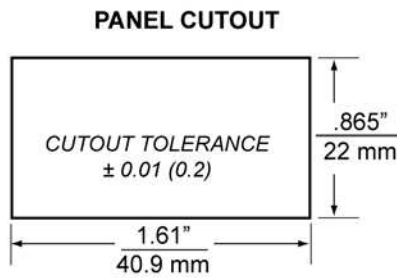
### Specifications:

<b>Display:</b>	Digits:	3 ½ digits (±1999 counts)
	Type:	0.38" (9 mm) high-contrast reflective LCD
	Polarity:	automatic, "-" displayed
	Decimal Points:	3 position, user selectable
	Annunciators:	BAT, °C, °F, -, m, μ, MΩ, KΩ, V, A, HOLD, user selectable
	Overrange:	three lower order digits blank for inputs >1999 & < -1999
	Hold:	available OEM option, contact factory
<b>Inputs:</b>	Ranges:	±200.0 mV, ±2.000 V
	Configuration:	bipolar differential
	Protection:	±350 VDC, (±100 VDC on 200 mV range)
	Impedance:	>10 MΩ, (>1 MΩ, on 2 V range)
<b>Performance:</b>	Accuracy:	±(0.1% +1 count) typical ±(0.1% + 2 counts) maximum
	Conversion Rate:	2.5 per second
	Normal Mode Rejection:	>30 dB @ 60 Hz
	Common Mode Range:	±1 VDC
	Common Mode Rej.:	>86 dB
	Zero Adjustment:	automatic
	Warmup:	10 minutes typical
	Temperature Coefficient:	±100 ppm per °C typical
<b>Environment:</b>	Operating Range:	0 to 50 °C
	Storage Range:	-20 to 70 °C
<b>Power Supply:</b>	5V powered:	+5 VDC (± 5%) at 5 mA
	9V powered:	+7.2-12 VDC at 300 μA
<b>Mounting:</b>		snap-in bezel mount
<b>Connection:</b>		26 pins, in 2 rows

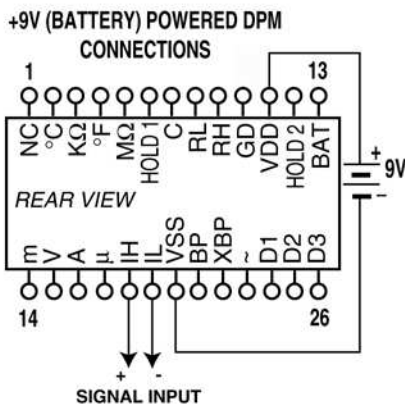
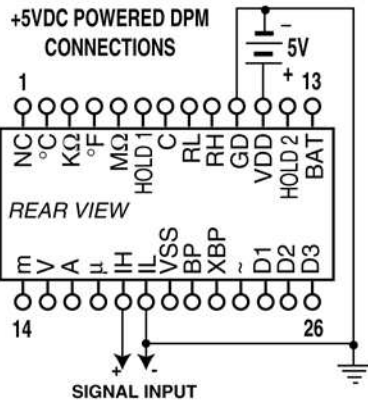
### Ordering Information:

PART NUMBER	METER INPUT	METER POWER
DK201.....	200mV .....	+5VDC
DK202.....	2V .....	+5VDC
DK203.....	200mV .....	9VDC
DK204.....	2V .....	9VDC
PW2-5.....	Regulated 120V AC to 5V DC Power Supply	
PW2-12.....	Regulated 120V AC to 12V DC Power Supply	
PW1.0.....	24V AC to adjustable DC output	
CPW1.5.....	24V AC to adjustable DC output	
CVC.....	Calibrator	

## Dimensions & Wiring



## MINI 26-PIN DPM CONNECTIONS



## CONNECTION DESCRIPTIONS

PIN#	26 PIN	DESCRIPTION
1	NC	NO CONNECTION
2	°C	ANNUNCIATOR
3	KΩ	ANNUNCIATOR
4	°F	ANNUNCIATOR
5	MΩ	ANNUNCIATOR
6	HOLD1	CONNECT TO VDD TO HOLD DISPLAY
7	C	ANALOG COMMON
8	RL	REFERENCE LOW TERMINAL
9	RH	REFERENCE HIGH TERMINAL
10	GD	NEG POWER SUPPLY FOR 5V DPMS
11	VDD	POSITIVE DPM POWER SUPPLY
12	HOLD2	"HOLD" ANNUNCIATOR
13	BAT	ANNUNCIATOR
14	m	ANNUNCIATOR
15	V	ANNUNCIATOR
16	A	ANNUNCIATOR
17	μ	ANNUNCIATOR
18	IH	POSITIVE INPUT SIGNAL
19	IL	NEGATIVE INPUT SIGNAL
20	VSS	NEGATIVE POWER SUPPLY FOR 9V
21	BP	LCD BACKPLANE
22	XBP	ANNUNCIATOR & DECIMAL POINT DRIVER
23	~	ANNUNCIATOR
24	D1	1.XXX
25	D2	1X.XX
26	D3	1XX.X

} DECIMAL POINT

### NOTES:

- INPUT MUST BE ISOLATED FROM SUPPLY ON 9V POWERED DPM.
- DISPLAY HOLDS READING WHEN "HOLD1" IS HIGH (CONNECTED TO "VDD"). READINGS ARE UPDATED WHEN OPEN. (OPTIONAL)
- INPUT COMMON MODE RANGE IS ±1 V DC ON +5V POWERED DPMS.
- TO TURN ON DECIMAL POINTS OR ANNUNCIATORS, CONNECT TO "XBP".