



Chipsmall Limited consists of a professional team with an average of over 10 year of expertise in the distribution of electronic components. Based in Hongkong, we have already established firm and mutual-benefit business relationships with customers from,Europe,America and south Asia,supplying obsolete and hard-to-find components to meet their specific needs.

With the principle of "Quality Parts,Customers Priority,Honest Operation,and Considerate Service",our business mainly focus on the distribution of electronic components. Line cards we deal with include Microchip,ALPS,ROHM,Xilinx,Pulse,ON,Everlight and Freescale. Main products comprise IC,Modules,Potentiometer,IC Socket,Relay,Connector.Our parts cover such applications as commercial,industrial, and automotives areas.

We are looking forward to setting up business relationship with you and hope to provide you with the best service and solution. Let us make a better world for our industry!



Contact us

Tel: +86-755-8981 8866 Fax: +86-755-8427 6832

Email & Skype: info@chipsmall.com Web: www.chipsmall.com

Address: A1208, Overseas Decoration Building, #122 Zhenhua RD., Futian, Shenzhen, China





Features:

- ◇ Low-cost, high-performance replacement for many OEM DPMs
- ◇ Snap-in bezel mount eliminates mounting hardware
- ◇ Resistant to RF and EMI
- ◇ 3 1/2 digits with high-contrast LCD
- ◇ 4- 20 mA loop powered input

Specifications:

Display:	Digits:	3 1/2 digits (±1999 counts)
	Type:	0.5" (12 mm) 7 segment LCD
	Polarity:	automatic, "-" displayed
	Decimal Points:	3 position, user selectable
	Overrange:	three lower order digits blank for inputs >1999 & < -1999
Inputs:	Ranges:	4-20 mA DC
	Configuration:	bipolar differential
	Protection:	30 mA max.
	Loop Burden:	300Ω nominal
Performance:	Accuracy:	±(0.1% fs + 2 count)
	Conversion Rate:	3 per second
	Normal Mode Rejection:	>30 dB @ 60 Hz
	Adjustments:	span (gain) and zero (offset)
	Warmup:	10 minutes typical
	Temperature Coefficient:	±100 ppm per °C typical
Environment:	Operating Range:	0 to 50 °C
	Storage Range:	-20 to 70 °C
Power Supply:		powered by the milliamp control loop
Mounting:		snap-in bezel mount
Connection:		2 screw terminal

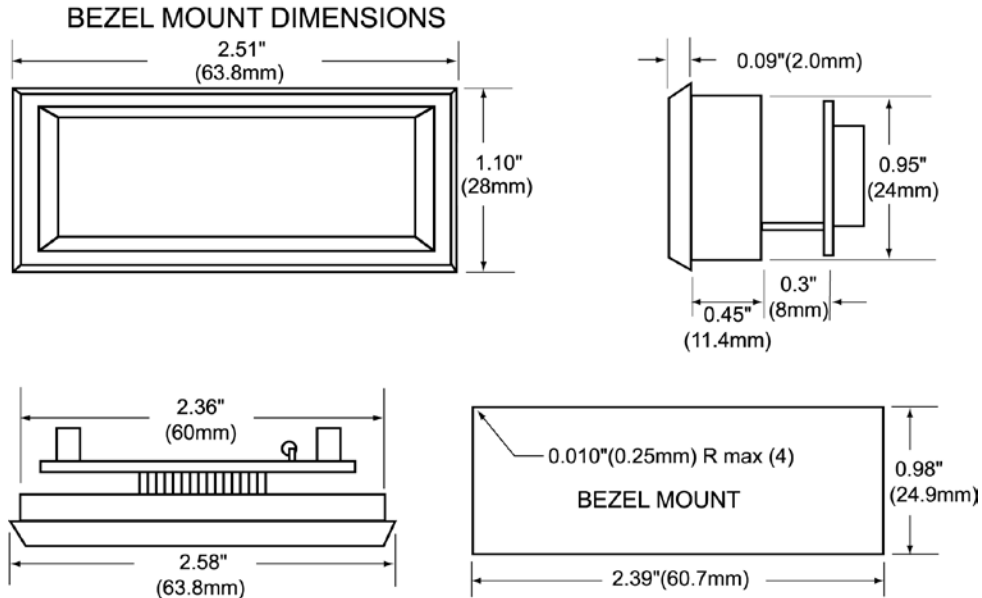
Ordering Information:

PART NUMBER

DK590

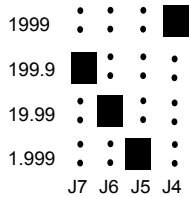
PW2-24.....	Regulated 120V AC to 24V DC Power Supply
PW1.0.....	24V AC to adjustable DC output
CPW1.5.....	24V AC to adjustable DC output
CVC.....	Calibrator

Dimensions



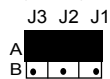
Wiring

1. DECIMAL SELECTION:



2. J1, J2, J3 SELECTION:

IF: OFFSET (ZERO) IS 0 *or* OFFSET (ZERO) > 0 **and** GAIN (SPAN) ÷ OFFSET (ZERO) ≥ 5



IF: OFFSET (ZERO) > 0 **and** GAIN (SPAN) ÷ OFFSET (ZERO) < 5

