



Chipsmall Limited consists of a professional team with an average of over 10 year of expertise in the distribution of electronic components. Based in Hongkong, we have already established firm and mutual-benefit business relationships with customers from,Europe,America and south Asia,supplying obsolete and hard-to-find components to meet their specific needs.

With the principle of “Quality Parts,Customers Priority,Honest Operation,and Considerate Service”,our business mainly focus on the distribution of electronic components. Line cards we deal with include Microchip,ALPS,ROHM,Xilinx,Pulse,ON,Everlight and Freescale. Main products comprise IC,Modules,Potentiometer,IC Socket,Relay,Connector.Our parts cover such applications as commercial,industrial, and automotives areas.

We are looking forward to setting up business relationship with you and hope to provide you with the best service and solution. Let us make a better world for our industry!



## Contact us

Tel: +86-755-8981 8866 Fax: +86-755-8427 6832

Email & Skype: info@chipsmall.com Web: www.chipsmall.com

Address: A1208, Overseas Decoration Building, #122 Zhenhua RD., Futian, Shenzhen, China





### Features:

- ◇ Display hold function standard
- ◇ 3½ digits with 0.56" Red or Green LED
- ◇ 10 wire harness included
- ◇ Gasket and clamp provided for NEMA4, NEMA12 & IP66 applications
- ◇ User selectable decimal points

### Specifications:

<b>Display:</b>	Digits:	3 ½ (±1999 count)
	Type:	7- segment LED (red or green)
	Digit Height:	.56 in (14.2 mm)
	Polarity Indication:	automatic "-" for neg input
	Decimal Point:	3 position selectable
	Overrange:	three lower order digits blank for inputs >1999 & < -1999
<b>Signal Inputs:</b>	Configuration:	bipolar, differential
	Full-Scale Input:	±200 mV, ±2 V, ±20 V
	Input Offset Adjustment:	auto zero
	Input Impedance:	>100 MΩ (±200 mV), -1 MΩ (other ranges)
	Common Mode Range:	±1 VDC
	Common Mode Rejection:	>86 dB
	Protection:	±350 VDC (±100 VDC for 200 mV range)
	Input Bias Current:	1 pA typical, 100 pA max
	Control Inputs:	decimal point select, hold, span adjust trimpot
	<b>Performance:</b>	Sampling Rate:
Accuracy:		± (0.1% + 2 counts) typ ±(0.2% + 2 counts) max
Warmup, typical:		10 min
Temperature Drift, typical:		100 ppm / °C
<b>Power Supply:</b>	Supply Voltage:	+5 VDC ±5%
	Supply Current, typical:	200 mA
<b>Environmental:</b>	Operating Temperature:	0 to 50°C
	Storage Temperature:	-10 to 60°C
	Relative Humidity:	0 to 95% non-condensing
<b>Physical:</b>	Package Style:	NEMA bezel mount
	Dimensions:	3.09 x 1.5 x .66"
	Panel Cutout:	2.83 x 1.26"
	Weight:	1.0 oz
	Connector:	J1C-10 or C10-5 optional
Connection:	10 pin	

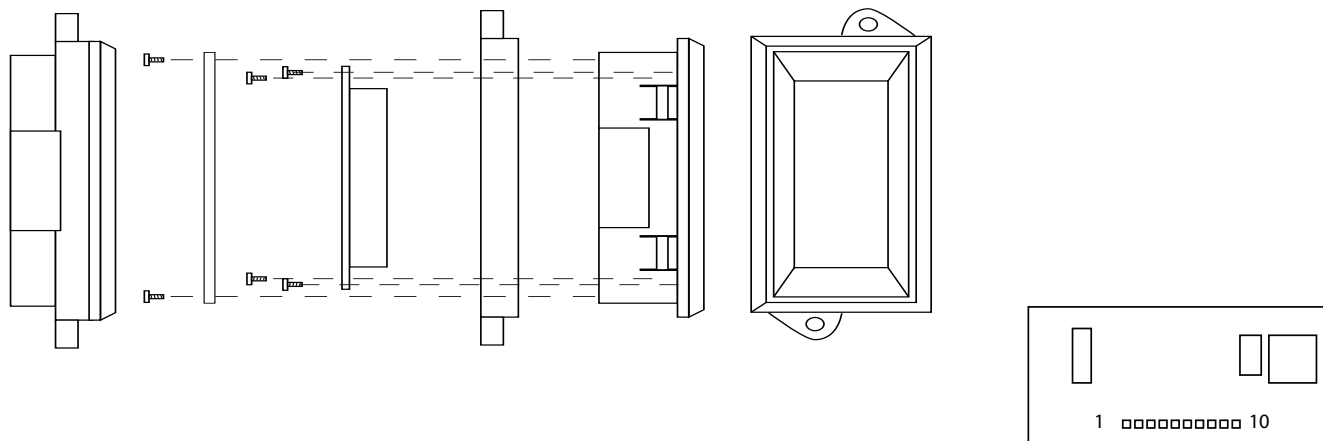
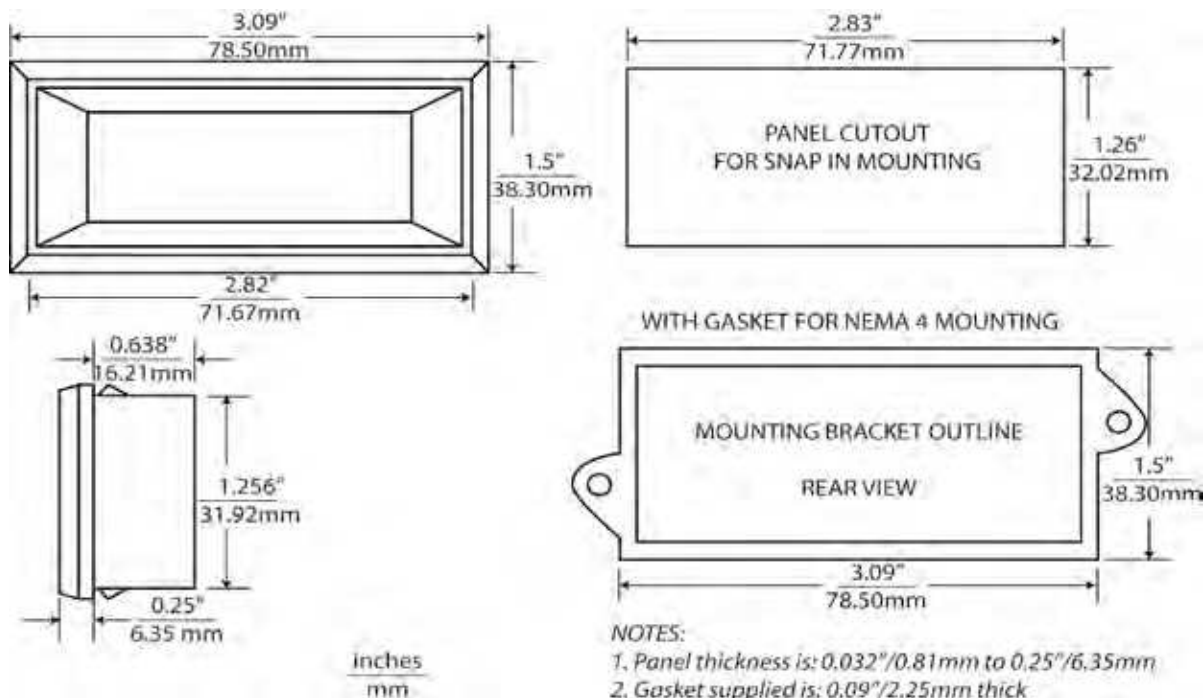
### Ordering Information:

PART NUMBER	METER COLOR	METER POWER
DK611.....	GREEN .....	200mV DC
DK612.....	GREEN .....	2V DC
DK613.....	GREEN .....	20V DC
DK614.....	RED .....	200mV DC
DK615.....	RED .....	2VDC
DK616.....	RED .....	20VDC

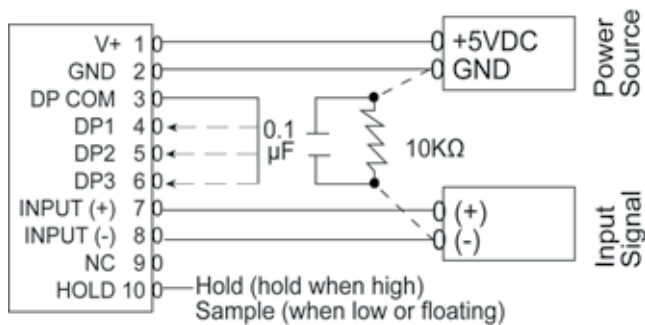
C10-5.....	5" - 10 Pin Connector / Wire Assembly
J1C10.....	12" - 10 Pin Connector / Wire Assembly
PW2-5.....	Regulated 120V AC to 5V DC Power Supply
PW1.0.....	24V AC to adjustable DC output
CPW1.5.....	24V AC to adjustable DC output
CVC.....	Calibrator



**Dimensions**



**Wiring**



Pin No.	Pin Name	Description
1	V+	+5V power supply
2	GND	Power supply ground
3	DP COM	Decimal point return
4	DP1	1XX.X (connect to DP COM to turn on)
5	DP2	1X.XX (connect to DP COM to turn on)
6	DP3	1.XXX (connect to DP COM to turn on)
7	INPUT(+)	Positive input signal
8	INPUT(-)	Negative input signal
9	NC	No connection required
10	HOLD	Hold last display