



Chipsmall Limited consists of a professional team with an average of over 10 year of expertise in the distribution of electronic components. Based in Hongkong, we have already established firm and mutual-benefit business relationships with customers from,Europe,America and south Asia,supplying obsolete and hard-to-find components to meet their specific needs.

With the principle of “Quality Parts,Customers Priority,Honest Operation,and Considerate Service”,our business mainly focus on the distribution of electronic components. Line cards we deal with include Microchip,ALPS,ROHM,Xilinx,Pulse,ON,Everlight and Freescale. Main products comprise IC,Modules,Potentiometer,IC Socket,Relay,Connector.Our parts cover such applications as commercial,industrial, and automotives areas.

We are looking forward to setting up business relationship with you and hope to provide you with the best service and solution. Let us make a better world for our industry!



## Contact us

Tel: +86-755-8981 8866 Fax: +86-755-8427 6832

Email & Skype: info@chipsmall.com Web: www.chipsmall.com

Address: A1208, Overseas Decoration Building, #122 Zhenhua RD., Futian, Shenzhen, China



# LED DIGITAL PANEL METERS

Low-cost 3 1/2 Digit LCD & LED Displays for process inputs



DPMs shown actual size

## Features:

- Space saving design only 0.67”(17mm) deep
- Occupies less than 2.5 x 1.1 inches of front panel space
- Choose a red or green LED
- 3-1/2 digits with 0.56” LED
- Window mount with optional bezel
- User Selectable Decimal Points
- Process input (4 to 20mA) adder board with multi-turn SPAN (GAIN) and ZERO (OFFSET) adjustments
- Loop controlled

## Specifications:

<b>Display:</b>	
Digits:	3 1/2 Digits (±1999 counts)
Type:	0.56” (14.2mm) Red or Green 7-Segment LED
Polarity:	Automatic, "-" Displayed.
Decimal Points:	3 Position, User Selectable
Overload:	Three lower order digits blank for inputs >1999 & <-1999
<b>Inputs:</b>	
Ranges:	Process Inputs, 4 to 20mA
Configuration:	Bipolar, Differential
Protection:	±350V DC, (±100V DC on 200mV Range)
Loop Burden:	LED; 15Ω nominal
<b>Performance:</b>	
Accuracy:	±(0.1% + 1 counts) Typical ±(0.2% + 2 counts) Maximum
Conversion Rate:	3 per Second
Normal Mode Rejection:	>30 db @ 60 Hz
Common Mode Range:	±1V DC
Common Mode Rej.:	>86 dB
Zero Adjustment:	Automatic
Warmup:	10 Minutes Typical
Temperature Coeff.:	±100 ppm per °C Typical
<b>Environment:</b>	
Operating Range:	0 to 50 °C
Storage Range:	-10 to 60 °C
<b>Power Supply:</b>	
Voltage:	LEDs, +5V DC (±5%)
Current:	LEDs, 200mA;
<b>Mounting:</b>	
LED:	Window Mount, or Bezel Mount with Optional Bezel
Process Board:	Plugs onto DPM pins, adds approx. 0.6”(16mm) to depth
<b>Connection:</b>	
	10 Pins, 0.025” Square on 0.1” centers
	Screw terminals on Process Board

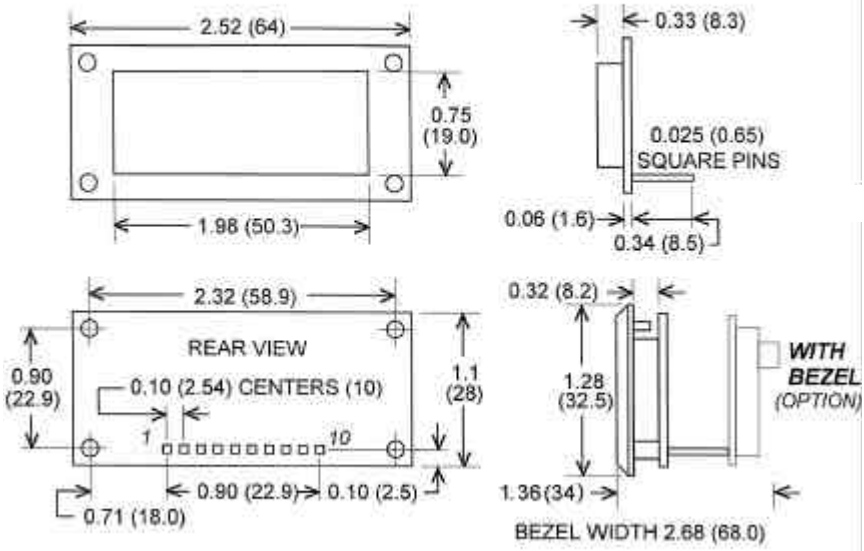
## Ordering Information:

<b>DK691</b>	.....Green LED DPM, 4 to 20mA board .....
<b>DK694</b>	.....Red LED DPM, 4 to 20mA board .....
<b>LED-B</b>	.....Bezel Mounting Kit For LPI-2 .....
<b>PW2-5</b>	.....Regulated 120V AC to 5V DC Adaptor .....

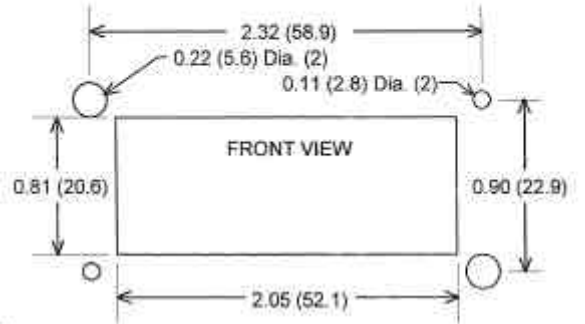


C-TON Industries • PO Box 10129 • Bedford, NH, 03110 • USA  
03110-0129

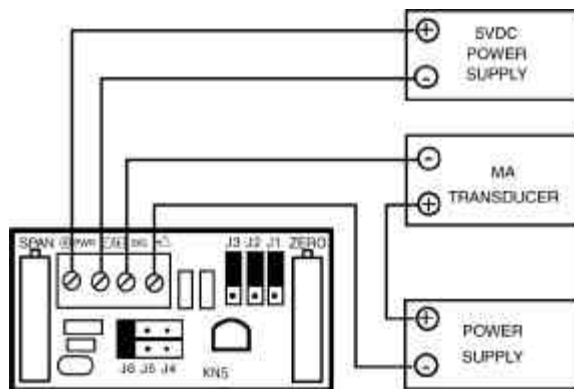
### LED DIMENSIONS



### LED PANEL CUTOUT



INCHES (mm)



LED