



Chipsmall Limited consists of a professional team with an average of over 10 year of expertise in the distribution of electronic components. Based in Hongkong, we have already established firm and mutual-benefit business relationships with customers from,Europe,America and south Asia,supplying obsolete and hard-to-find components to meet their specific needs.

With the principle of "Quality Parts,Customers Priority,Honest Operation,and Considerate Service",our business mainly focus on the distribution of electronic components. Line cards we deal with include Microchip,ALPS,ROHM,Xilinx,Pulse,ON,Everlight and Freescale. Main products comprise IC,Modules,Potentiometer,IC Socket,Relay,Connector.Our parts cover such applications as commercial,industrial, and automotives areas.

We are looking forward to setting up business relationship with you and hope to provide you with the best service and solution. Let us make a better world for our industry!



Contact us

Tel: +86-755-8981 8866 Fax: +86-755-8427 6832

Email & Skype: info@chipsmall.com Web: www.chipsmall.com

Address: A1208, Overseas Decoration Building, #122 Zhenhua RD., Futian, Shenzhen, China





Features:

- ◇ Low-cost, high-performance replacement for many OEM DPMs
- ◇ Mounting choices:
 - Window mount for custom OEM
 - Surface mount with minimum space behind the panel
 - Snap-in bezel mount eliminates mounting hardware
- ◇ Low power: choice of 1.5mA (9V) or 2.6mA (+5V)
- ◇ Space-saving design: only 1" (25 mm) deep
- ◇ Occupies less than 2.5 X 1.1 inches of front panel space
- ◇ 4½ digits with high-contrast LCD

Specifications:

Display:	Digits:	4 ½ digits (±19999 counts)
	Type:	0.5" (13mm) 7 segment LCD
	Polarity:	automatic, "-" displayed
	Annunciators:	"LoBat" when power <7.2 VDC
	Decimal Points:	4 position, user selectable
	Overrange:	four lower order digits blank for inputs >19999 & <-19999
	Hold:	standard
Inputs:	Ranges:	±200.0 mV, ±2.000 V, ±20.00 VDC
	Configuration:	single ended for 9 V powered, differential for 5 V powered
	Protection:	±10 VDC on 200 mV; ±100 VDC on @ 2 V; ±350 VDC on 20 V range
	Impedance:	>100 MΩ on ± 200 mV; (>1 MΩ on 2 V & 20 V range)
	Bias Current:	10 pA typical
Performance:	Accuracy:	±(0.06% fs + 1 count) maximum
	Conversion Rate:	2 per second
	Normal Mode Rejection:	>30 dB @ 60 Hz
	Common Mode Range:	±1 VDC (5 V powered)
	Common Mode Rej.:	>86 dB
	Zero Adjustment:	automatic
	Warmup:	10 minutes typical
	Temperature Coefficient:	±50 ppm per °C typical ±100 ppm max for 200 mV range ±100 ppm per °C typical ±200 ppm max for 2 V & 20 V ranges
Environment:	Operating Range:	0 to 50 °C
	Storage Range:	-20 to 70 °C
Power Supply:	5V powered:	+5 VDC (4.65 - 5.35) at 2.6 mA
	9V powered:	+7.2 to +12 V at 1.5 mA
Mounting:	DK700:	surface or window mount
	DK710:	snap-in bezel mount
Connection:		13 pins, 0.025" square on 0.1" centers

Ordering Information:

DK700 SERIES - Window/ Surface Mount, low-cost 4½ digit LCD Display

PART NUMBER	METER INPUT	METER POWER
DK702	200mV	+5VDC
DK703	2V	+5VDC
DK704	200mV	9V
DK705	2V	9V

DK710 SERIES - Snap-in Bezel Mount, low-cost 4½ digit LCD Display

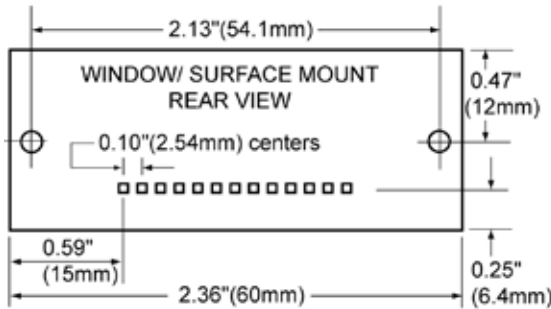
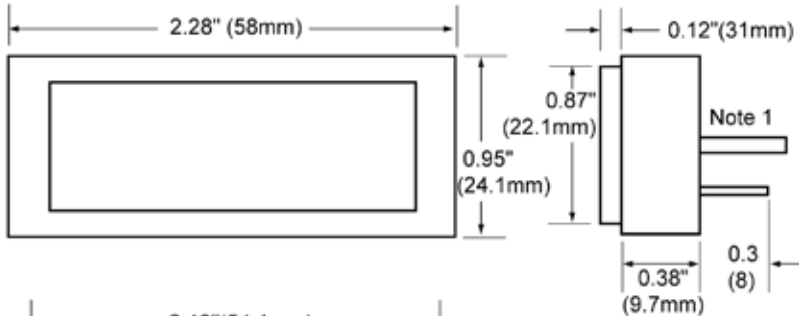
PART NUMBER	METER INPUT	METER POWER
DK710	200mV	+5VDC
DK711	2V	+5VDC
DK712	20V	+5VDC

J4C13	13 Pin Connector / Wire Assembly
PW2-5	Regulated 120V AC to 5V DC Power Supply
PW2-12	Regulated 120V AC to 12V DC Power Supply
PW1.0	24V AC to adjustable DC output
CPW1.5	24V AC to adjustable DC output
CVC	Calibrator



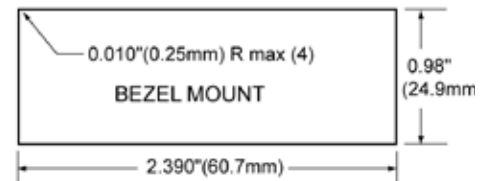
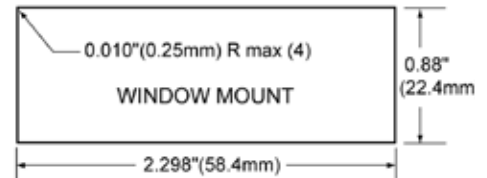
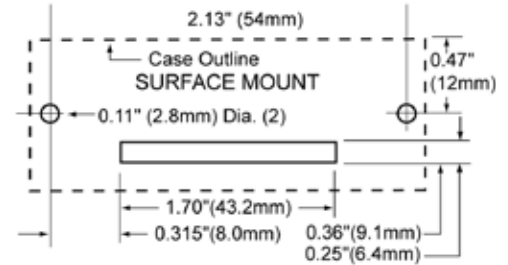
Dimensions & Wiring Connections

WINDOW/SURFACE MOUNT DIMENSIONS

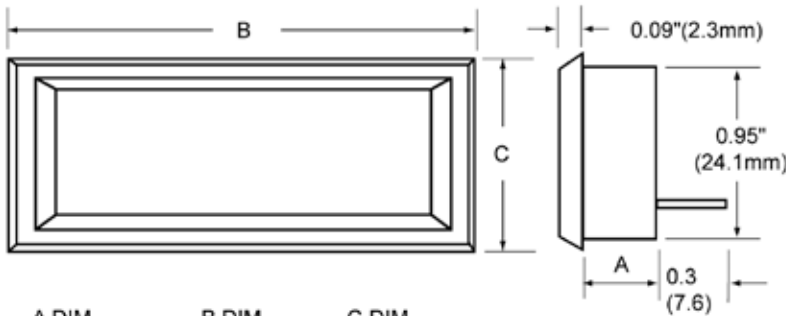


NOTES:
 1. Mounting studs (2) are #2-56, length 0.5 (13) min. Snap in bezel mount does not have mounting studs.

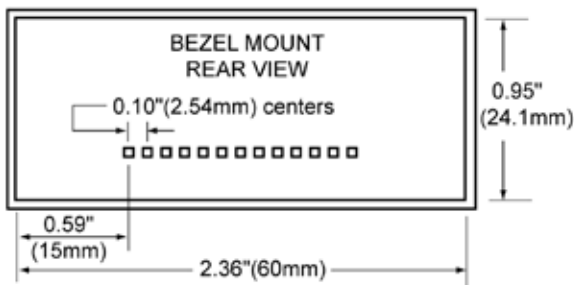
PANEL CUTOUTS



SNAP IN BEZEL MOUNT DIMENSIONS



A DIM.	B DIM.	C DIM.
0.44"(11.2mm)	2.51"(63.8mm)	1.10"(28mm)



INCHES (mm)

CONNECTION DESCRIPTION

PIN#	DESCRIPTION
1	V+ POSITIVE SUPPLY CONNECTION
2	V- NEGATIVE SUPPLY CONNECTION
3	INHI INPUT HIGH TERMINAL
4	INLO INPUT LOW TERMINAL
5	D1 DECIMAL POINT = 000.0
6	D2 DECIMAL POINT = 00.00
7	D3 DECIMAL POINT = 0.000
8	D4 DECIMAL POINT = .0000
9	DP DP COMMON <small>CONNECT TO DECIMAL POINTS TO ACTIVATE</small>
10	RNG 10:1 RANGE <small>CONNECT TO V+ TO ACTIVATE</small>
11	HLD HOLD FEATURE <small>CONNECT TO V+ TO ACTIVATE</small>
12	NC
13	NC