



Chipsmall Limited consists of a professional team with an average of over 10 year of expertise in the distribution of electronic components. Based in Hongkong, we have already established firm and mutual-benefit business relationships with customers from,Europe,America and south Asia,supplying obsolete and hard-to-find components to meet their specific needs.

With the principle of “Quality Parts,Customers Priority,Honest Operation,and Considerate Service”,our business mainly focus on the distribution of electronic components. Line cards we deal with include Microchip,ALPS,ROHM,Xilinx,Pulse,ON,Everlight and Freescale. Main products comprise IC,Modules,Potentiometer,IC Socket,Relay,Connector.Our parts cover such applications as commercial,industrial, and automotives areas.

We are looking forward to setting up business relationship with you and hope to provide you with the best service and solution. Let us make a better world for our industry!



## Contact us

Tel: +86-755-8981 8866 Fax: +86-755-8427 6832

Email & Skype: info@chipsmall.com Web: www.chipsmall.com

Address: A1208, Overseas Decoration Building, #122 Zhenhua RD., Futian, Shenzhen, China





### Features:

- ◇ Low-cost
- ◇ Window mount
- ◇ Ultra-thin space-saving design: only 0.8" deep including connector
- ◇ Occupies less than 1.3 X 0.7 inches of front panel space
- ◇ 3½ digits with high-contrast LCD
- ◇ Choice of Positive or Negative Red or Green
- ◇ Low power

### Ordering Information:

PART NUMBER	BACKLIGHT COLOR	METER INPUT	METER POWER
DK720	POS GREEN	200mV	±5VDC or +9V
DK721	POS GREEN	2V	±5VDC or +9V
DK722	NEG GREEN	200mV	±5VDC or +9V
DK723	NEG GREEN	2V	±5VDC or +9V
DK724	NEG RED	200mV	±5VDC or +9V
DK725	NEG RED	2V	±5VDC or +9V
DK726	POS RED	200mV	±5VDC or +9V
DK727	POS RED	2V	±5VDC or +9V
DK730	POS GREEN	200mV	+5VDC
DK731	POS GREEN	2V	+5VDC
DK732	NEG GREEN	200mV	+5VDC
DK733	NEG GREEN	2V	+5VDC
DK734	NEG RED	200mV	+5VDC
DK735	NEG RED	2V	+5VDC
DK736	POS RED	200mV	+5VDC
DK737	POS RED	2V	+5VDC

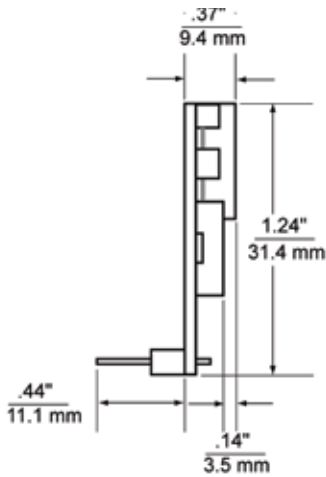
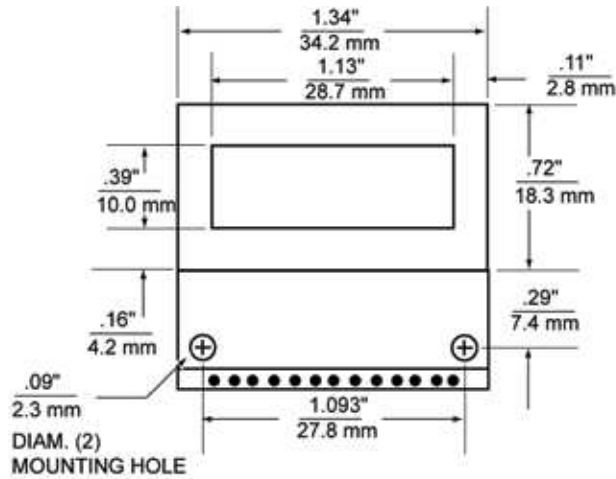
### Specifications:

<b>Display:</b>	Digits:	3 ½ digits (±1999 counts)
	Type:	7 segment backlit LCD
	Polarity:	automatic, "-" displayed
	Decimal Points:	3 position, user selectable
Overrange:	three lower order digits blank for inputs >1999 & < -1999	
<b>Inputs:</b>	Ranges:	200 mV, 2 V, 20 V
	Protection:	100 V on 200 mV, 250 V on 2 V & 20 V
	Impedance:	100 MΩ on 200 mV, 1 MΩ on 2 V & 20 V
<b>Performance:</b>	Accuracy:	±(0.1% of F.S. +1 count)
	Conversion Rate:	2.5 per second
	Normal Mode Rejection:	>30 dB @ 60Hz.
	Common Mode Range:	±1Vdc
	Common Mode Rej.:	>86 dB
	Zero Adjustment:	automatic
	Warmup:	10 minutes typical
	Temperature Coefficient:	±100 ppm per °C typical
<b>Environment:</b>	Operating Range:	0 to 60 °C
	Storage Range:	-20 to 70 °C
	<b>Power Supply:</b>	Backlight OFF:
Backlight ON:		+5 V @ 60 mA typical ±5 V or +9 V @ 20 mA typical
<b>Mounting:</b>	window mount bezel mount (optional)	
<b>Connection:</b>	13 pin	

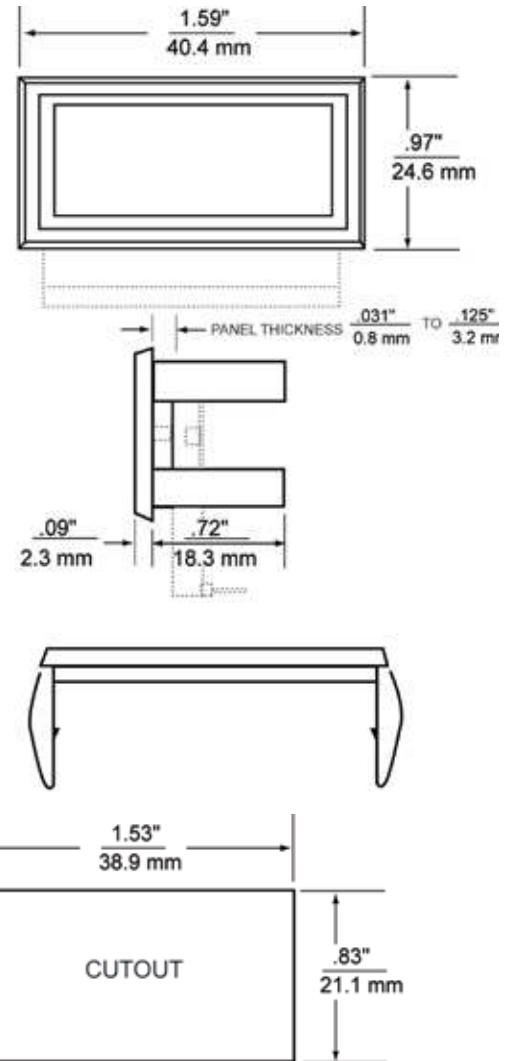
PW2-5	Regulated 120V AC to 5V DC Power Supply
PW2-12	Regulated 120V AC to 12V DC Power Supply
7M-BEZ	Optional bezel
PW1.0	24V AC to adjustable DC output
CPW1.5	24V AC to adjustable DC output
CVC	Calibrator



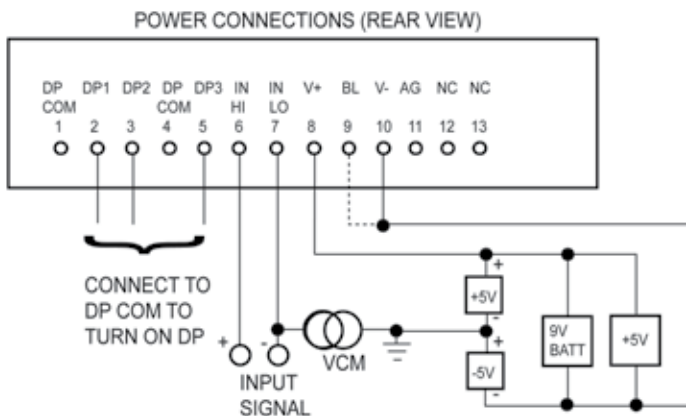
**Dimensions**



**Optional Bezel and Cutout**



**Wiring**



**Connection Descriptions**

Pin No.	Pin Name	Description
1	DP COM	Connect to selected decimal point
2	DP1	DP XXX.X
3	DP2	DP XX.XX
4	DP COM	Connect to selected decimal point
5	DP3	DP X.XXX
6	INHI	Input signal HI
7	INLO	Input signal LO
8	V+	+5 Volt power, +9 Volt Power
9	BL	Connect to V- for backlighting
10	V-	-5 Volt power, Ground for 5 V or 9 V power
11	AG	Connect to INLO for isolated operation
12	NC	No connection required
13	NC	No connection required