



Chipsmall Limited consists of a professional team with an average of over 10 year of expertise in the distribution of electronic components. Based in Hongkong, we have already established firm and mutual-benefit business relationships with customers from,Europe,America and south Asia,supplying obsolete and hard-to-find components to meet their specific needs.

With the principle of “Quality Parts,Customers Priority,Honest Operation,and Considerate Service”,our business mainly focus on the distribution of electronic components. Line cards we deal with include Microchip,ALPS,ROHM,Xilinx,Pulse,ON,Everlight and Freescale. Main products comprise IC,Modules,Potentiometer,IC Socket,Relay,Connector.Our parts cover such applications as commercial,industrial, and automotives areas.

We are looking forward to setting up business relationship with you and hope to provide you with the best service and solution. Let us make a better world for our industry!



## Contact us

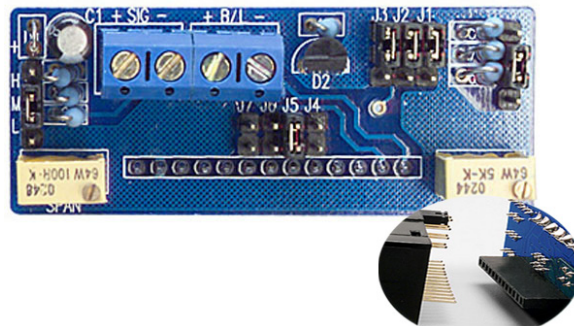
Tel: +86-755-8981 8866 Fax: +86-755-8427 6832

Email & Skype: info@chipsmall.com Web: www.chipsmall.com

Address: A1208, Overseas Decoration Building, #122 Zhenhua RD., Futian, Shenzhen, China



EPIC SERIES



### Features:

- ◇ Low-cost, high-performance replacement for many OEM DPMs
- ◇ Optional RED, GREEN or AMBER backlighting
- ◇ Snap-in bezel mount eliminates mounting hardware
- ◇ Resistant to RF and EMI
- ◇ 4½ digits with high-contrast LCD
- ◇ 4- 20 mA loop powered input
- ◇ User selectable, displayed engineering units

### Specifications:

<b>Display:</b>	Digits:	4 ½ digits (±19999 counts)
	Type:	0.45" (11.4 mm) 7 segment LCD
<b>Backlighting:</b>		Optional Red Negative (red numbers/black background) Optional Green Negative (green numbers/black background) Optional Amber Negative (amber numbers/black background) Optional Green Positive (black numbers/green background)
	Polarity:	automatic, "-" displayed
	Annunciators:	°F, °C, PSI, %, or V, A, KW, PW
	Decimal Points:	4 position, user selectable
	Overrange:	four lower order digits blank for inputs >19999 & < -19999
<b>Inputs:</b>	Ranges:	4-20 mA DC
	Configuration:	bipolar differential
	Impedance:	300Ω nominal @ 20 mA
<b>Performance:</b>	Accuracy:	±(0.1% fs + 2 count)
	Conversion Rate:	3 per second
	Normal Mode Rejection:	>30 dB @ 60 Hz
	Adjustments:	span (gain) and zero (offset) with course setting
	Warmup:	10 minutes typical
	Temperature Coefficient:	± 100 ppm per °C typical
<b>Environment:</b>	Operating Range:	0 to 50 °C
	Storage Range:	-20 to 70 °C
<b>Power Supply:</b>		powered by the milliamp control loop
	Optional Backlight:	24 VDC at 35 mA typical
<b>Mounting:</b>		snap-in bezel mount
<b>Connection:</b>		2 screw terminal (4 with backlight)

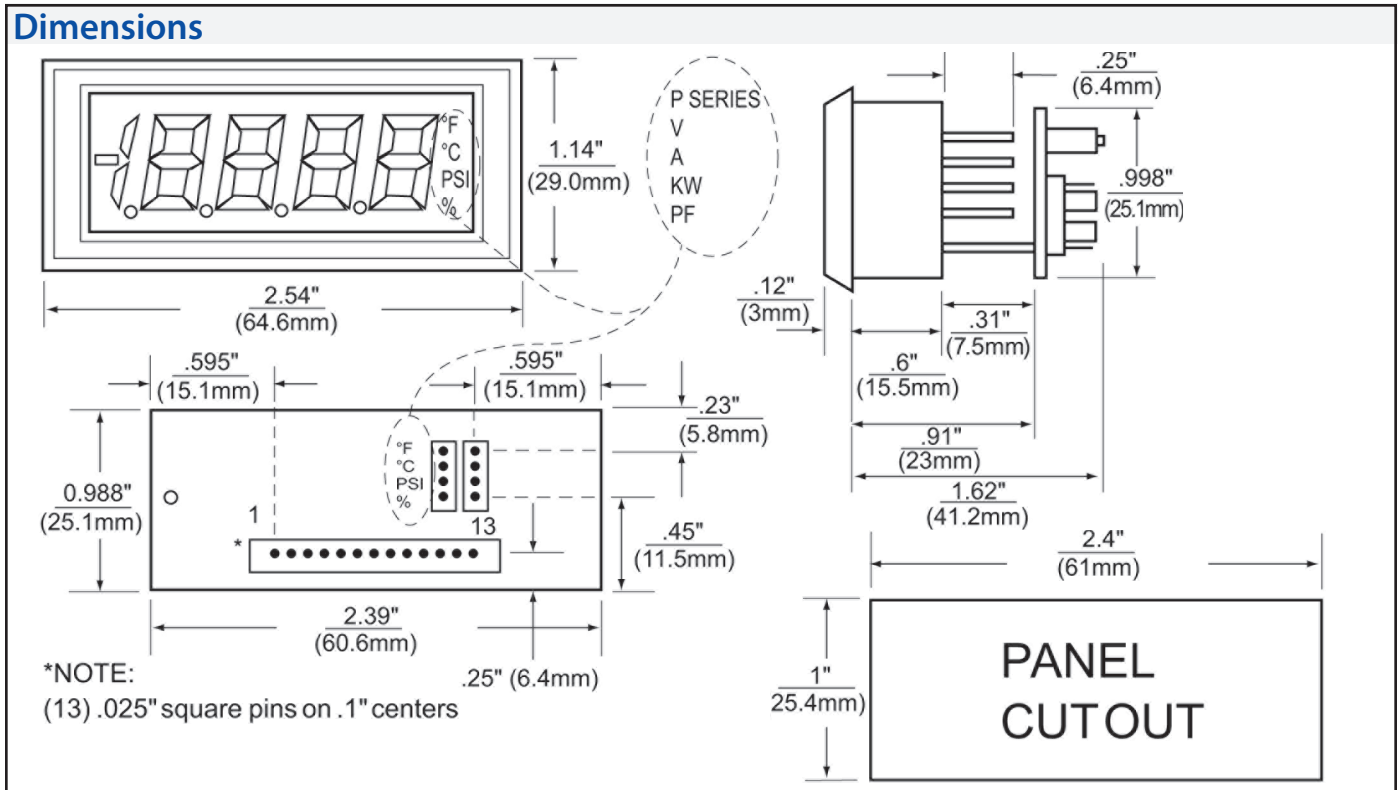
### Ordering Information:

PART NUMBER	BACKLIGHT COLOR	BACKLIGHT POWER
DK790*	NO BACKLIGHT	NONE
DK791*	NEG AMBER	24VDC
DK793*	NEG GREEN	24VDC
DK794*	NEG RED	24VDC
DK795*	POS GREEN	24VDC

\*Add (P) for Power Engineering Units V, A, KW, PF

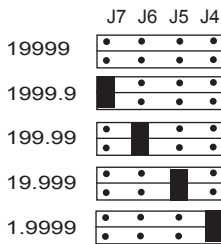
PW2-24	Regulated 120V AC to 24V DC Power Supply
PW1.0	24V AC to adjustable DC output
CPW1.5	24V AC to adjustable DC output
CVC	Calibrator

### Dimensions



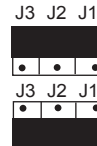
### Jumper Selection & Wiring

#### 1. DECIMAL SELECTION:



#### 2. J1, J2, J3 SELECTION:

- IF:** MIN DISPLAY IS = 0 **or**  
MIN DISPLAY IS > 0 **and** MAX DISPLAY ÷ MIN DISPLAY ≥ 5
- IF:** MIN DISPLAY IS > 0 **and** MAX DISPLAY ÷ MIN DISPLAY < 5



#### 3. SPAN JUMPER SECTION:

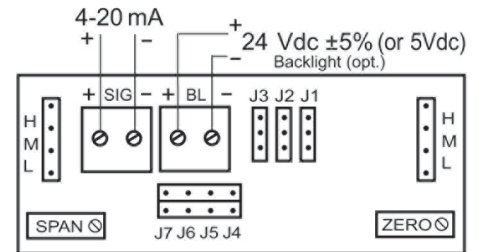
SPAN FACTOR	SET JUMPERS
0-12	L
10-22	M
22-32	H

- IF:** MIN DISPLAY IS ≤ 0 **or**  
MIN DISPLAY IS > 0 **and** MAX DISPLAY ÷ MIN DISPLAY > 5
- THEN:** SPAN FACTOR =  $\frac{2.5 (\text{MAX DISPLAY} - \text{MIN DISPLAY})}{4000 + 0.02 (\text{MIN DISPLAY}) - 0.004 (\text{MAX DISPLAY})}$
- IF:** MIN DISPLAY IS > 0 **and** MAX DISPLAY ÷ MIN DISPLAY ≤ 5
- THEN:** SPAN FACTOR =  $\frac{\text{MAX DISPLAY} - \text{MIN DISPLAY}}{1600}$

#### 4. ZERO (OFFSET) JUMPER SELECTION:

ZERO FACTOR	SET JUMPERS
0-3994	H
3320-7314	M
6640-10634	L

- IF:** MIN DISPLAY IS ≤ 0 **or**  
MIN DISPLAY IS > 0 **and** MAX DISPLAY ÷ MIN DISPLAY > 5
- THEN:** ZERO FACTOR =  $\frac{(250000 + \text{MIN DISPLAY}) \times (83834) - 73200}{(250000 + 400 (\text{SPAN FACTOR}))}$
- IF:** MIN DISPLAY IS > 0 **and** MAX DISPLAY ÷ MIN DISPLAY ≤ 5
- THEN:** ZERO FACTOR =  $\frac{(10634 - (\text{MIN DISPLAY} - 400 (\text{SPAN FACTOR})) \times 83834}{250000}$



WIRING