



Chipsmall Limited consists of a professional team with an average of over 10 year of expertise in the distribution of electronic components. Based in Hongkong, we have already established firm and mutual-benefit business relationships with customers from,Europe,America and south Asia,supplying obsolete and hard-to-find components to meet their specific needs.

With the principle of “Quality Parts,Customers Priority,Honest Operation,and Considerate Service”,our business mainly focus on the distribution of electronic components. Line cards we deal with include Microchip,ALPS,ROHM,Xilinx,Pulse,ON,Everlight and Freescale. Main products comprise IC,Modules,Potentiometer,IC Socket,Relay,Connector.Our parts cover such applications as commercial,industrial, and automotives areas.

We are looking forward to setting up business relationship with you and hope to provide you with the best service and solution. Let us make a better world for our industry!



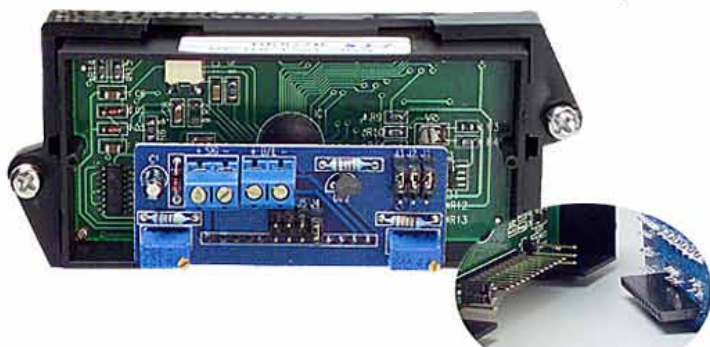
Contact us

Tel: +86-755-8981 8866 Fax: +86-755-8427 6832

Email & Skype: info@chipsmall.com Web: www.chipsmall.com

Address: A1208, Overseas Decoration Building, #122 Zhenhua RD., Futian, Shenzhen, China





Features:

- ◇ Large 1", 3½ digit display for easy viewing.
- ◇ Decimal point user selectable
- ◇ Engineering units user selectable
- ◇ Non-backlit LCD or choice of AMBER, GREEN, RED or BLUE backlit LCD
- ◇ Wide ZERO (Offset) & SPAN (Gain) adjustment
- ◇ Standard 1/8 DIN package
- ◇ Snap-in panel mounting
- ◇ Gasket and clamp provided for NEMA 4, NEMA 12, & IP66 applications

Specifications:

Display:	Digits:	3 ½ digits (±1999 counts)
	Type:	1" (24.9 mm) 7 segment high contrast LCD
	Polarity:	automatic, "-" displayed
	Annunciators:	°F, °C, PSI, %, user selectable, V, A, KW, PF
Inputs:	Decimal Points:	3 position, user selectable
	Overrange:	three lower order digits blank for inputs >1999 & < -1999
	Voltage Ranges:	200 mV, 5 V, 10 V (809 Series)
	Current Range:	4 to 20mA (807 Series)
Performance:	Configuration:	single ended (809 Series)
	Impedance:	390KΩ (809 Series)
	Accuracy:	±(0.05% of full scale + 1 count)
	Conversion Rate:	3 per second
Adjustments:	Normal Mode Rejection:	>30 dB @ 60 Hz
	Warmup:	10 minutes typical
	Temperature Coefficient:	± 100 ppm per °C typical
	Offset Range:	-1999 to +1999
Environment:	Gain Range:	1 to 1999 (custom ranges available)
	Operating Range:	-10 to 50 °C
Power Supply:	Storage Range:	-40 to 75 °C
	Loop Powered:	300Ω nominal at 20 mA (807 series)
	Voltage Controlled:	10 mA at 12 V (9 to 16 V) or 24 V (16 to 32 V) (809 series)
Mounting:	Backlighting:	35 mA typical @ 24 VDC
	Connection:	snap-in panel mount or clamp and gasket (included)
Connection:		screw terminals

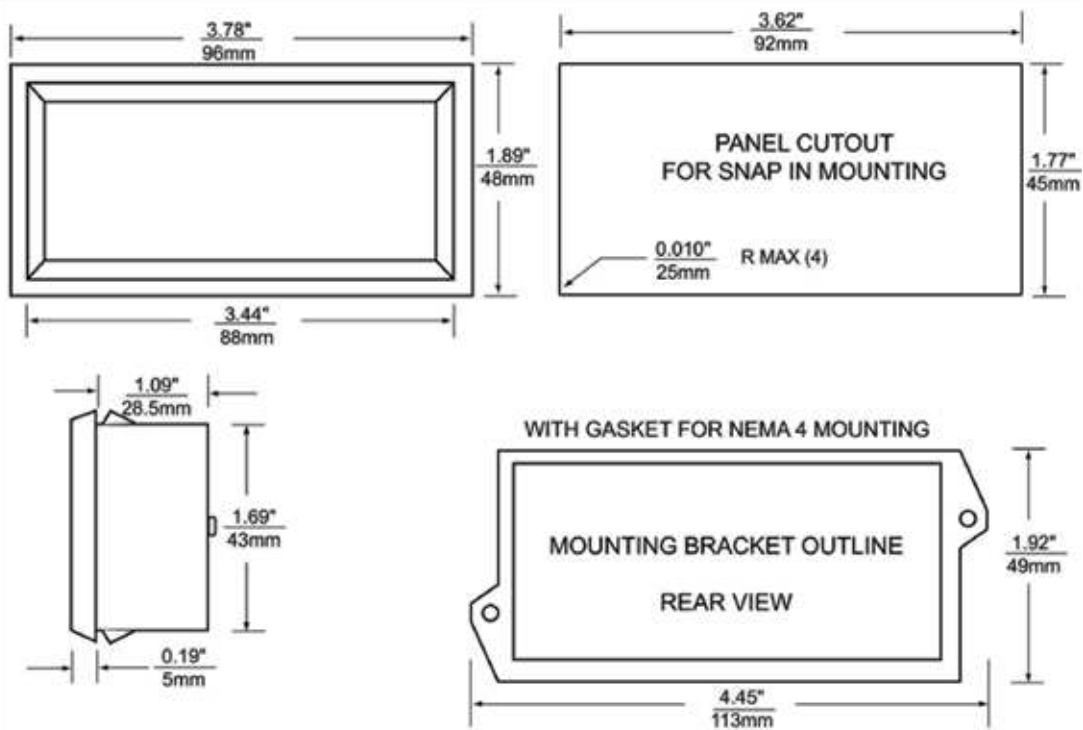
Ordering Information:

PART NUMBER BACKLIGHT COLOR METER INPUT METER POWER	.. BACKLIGHT POWER
DK807A*NO BACKLIGHT4-20mA mA loop NONE
DK757B* BLUE4-20mA mA loop 24VDC
DK857B* RED4-20mA mA loop 24VDC
DK947B* AMBER4-20mA mA loop 24VDC
DK957B* GREEN4-20mA mA loop 24VDC
DK809*NO BACKLIGHT Voltage 12/24VDC NONE
DK759* BLUE Voltage 12/24VDC 24VDC
DK859* RED Voltage 12/24VDC 24VDC
DK949* AMBER Voltage 12/24VDC 24VDC
DK959* GREEN Voltage 12/24VDC 24VDC

*Add (P) for Power Engineering Units V, A, KW, PF
 PW2-12.....Regulated 120V AC to 12V DC Power Supply
 PW2-24.....Regulated 120V AC to 24V DC Power Supply
 PW1.0..... 24V AC to adjustable DC output
 CPW1.5..... 24V AC to adjustable DC output
 CVC..... Calibrator



Dimensions



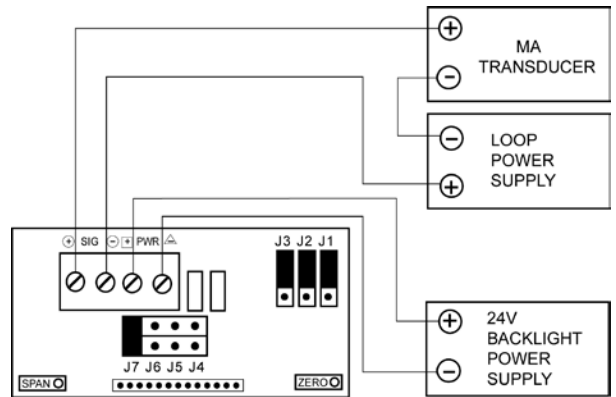
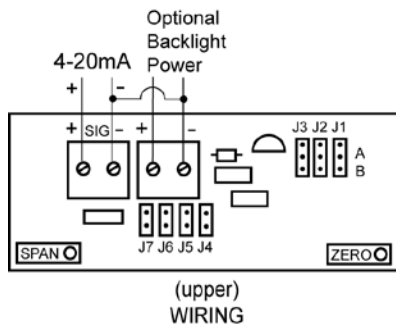
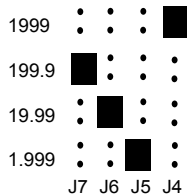
NOTES:

1. Panel thickness is: 0.032"/0.81mm to 0.25"/6.35mm
2. Gasket supplied is: 0.075"/1.9mm thick

Wiring

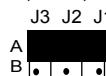
807 Series

1. DECIMAL SELECTION:

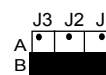


2. J1, J2, J3 SELECTION:

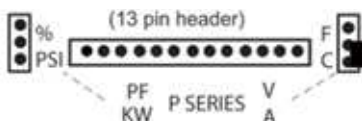
IF: OFFSET (ZERO) IS ≤ 0 or
OFFSET (ZERO) > 0 and GAIN (SPAN) + OFFSET (ZERO) ≥ 5



IF: OFFSET (ZERO) > 0 and GAIN (SPAN) + OFFSET (ZERO) < 5



NOTE: If backlight supply is not loop supply, ground should be referenced together.



809 Series

