



Chipsmall Limited consists of a professional team with an average of over 10 year of expertise in the distribution of electronic components. Based in Hongkong, we have already established firm and mutual-benefit business relationships with customers from,Europe,America and south Asia,supplying obsolete and hard-to-find components to meet their specific needs.

With the principle of “Quality Parts,Customers Priority,Honest Operation,and Considerate Service”,our business mainly focus on the distribution of electronic components. Line cards we deal with include Microchip,ALPS,ROHM,Xilinx,Pulse,ON,Everlight and Freescale. Main products comprise IC,Modules,Potentiometer,IC Socket,Relay,Connector.Our parts cover such applications as commercial,industrial, and automotives areas.

We are looking forward to setting up business relationship with you and hope to provide you with the best service and solution. Let us make a better world for our industry!



Contact us

Tel: +86-755-8981 8866 Fax: +86-755-8427 6832

Email & Skype: info@chipsmall.com Web: www.chipsmall.com

Address: A1208, Overseas Decoration Building, #122 Zhenhua RD., Futian, Shenzhen, China



DESCRIPTION

The LCD provides a large, .98", 3-1/2 digit black, green, red or blue display. The LED provides a large, .8", 3-1/2 digit, green or red display.

LCD FEATURES

- Decimal point user selectable
- Eng. units user selectable
- Snap-in panel mounting
- Large .98" digits for easy viewing

LED FEATURES

- Decimal point user selectable
- Snap-in panel mounting
- Large .8" digits for easy viewing

ALL MODELS

- Gasket and clamp provided for optional NEMA applications



Specifications:

Display:		
Digits:	3 1/2 Digits (±1999 counts)	
Type:	0.98" (24.9 mm) LCD	
	0.8" (20.3 mm) LED	
Polarity:	Automatic, "-" Displayed.	
Decimal Points:	3 Position, User Selectable	
Overload:	Three lower order digits blank for inputs >1999 & <-1999	
Hold:	Display Hold Function is Standard	
Annunciators:	PSI, PSI, °F, °C, % (user selected, LCD only)	
Inputs:		
Ranges:	±200.0mV, +/-2.000V, +/-20.00V DC, 4-20mA	
Configuration:	Bipolar, Differential	
Protection:	±350V DC, (±100V DC on 200mV Range)	
Impedance:	>1 Megohm, (>10 Megohm on 200mV Range)	
Performance:		
Accuracy:	±(0.05% FS +1 counts)	
Conversion Rate:	3 per Second	
Normal Mode Rejection:	>30 db @ 60 Hz	
Common Mode Range:	±1V DC	
Common Mode Rej.:	>86 dB	
Zero Adjustment:	Automatic	
Warmup:	10 Minutes Typical	
Temperature Coeff.:	±100 ppm per °C Typical	
Environment:		
Operating Range:	-10 to 50 °C	
Storage Range:	-40 to 75 °C	
Power Supply:		
Voltage input units:	+5V DC (180mA LED, 3mA LCD)	
DK807:	powered by mA control loop	
DK757,DK857,DK957:	+24V DC (40mA)	
Mounting:		
	Snap-In Panel Mount	
Connection:		
	4 screw terminal (4-20mA)	
	13 pin male connection (voltage)	
	13 pin connector/wiring harness included	

ORDERING INFORMATION

MODEL	DESCRIPTION
DK757B	4-20mA loop powered LCD, 24V BLUE NEG. B/L
DK801A	200mV input LCD
DK802A	2V input LCD
DK803A	20V input LCD
DK807A	4-20mA loop powered LCD
DK851A	200mV input - RED LED
DK852A	2V input - RED LED
DK853A	20V input - RED LED
DK857B	4-20mA loop powered LCD, 24V RED NEG. B/L
DK857A	4-20mA loop controlled - RED LED
DK951A	200mV input - GREEN LED
DK952A	2V input - GREEN LED
DK953A	20V input - GREEN LED
DK957A	4-20mA loop controlled - GREEN LED
DK957B	4-20mA loop powered LCD, 24V GREEN NEG. B/L

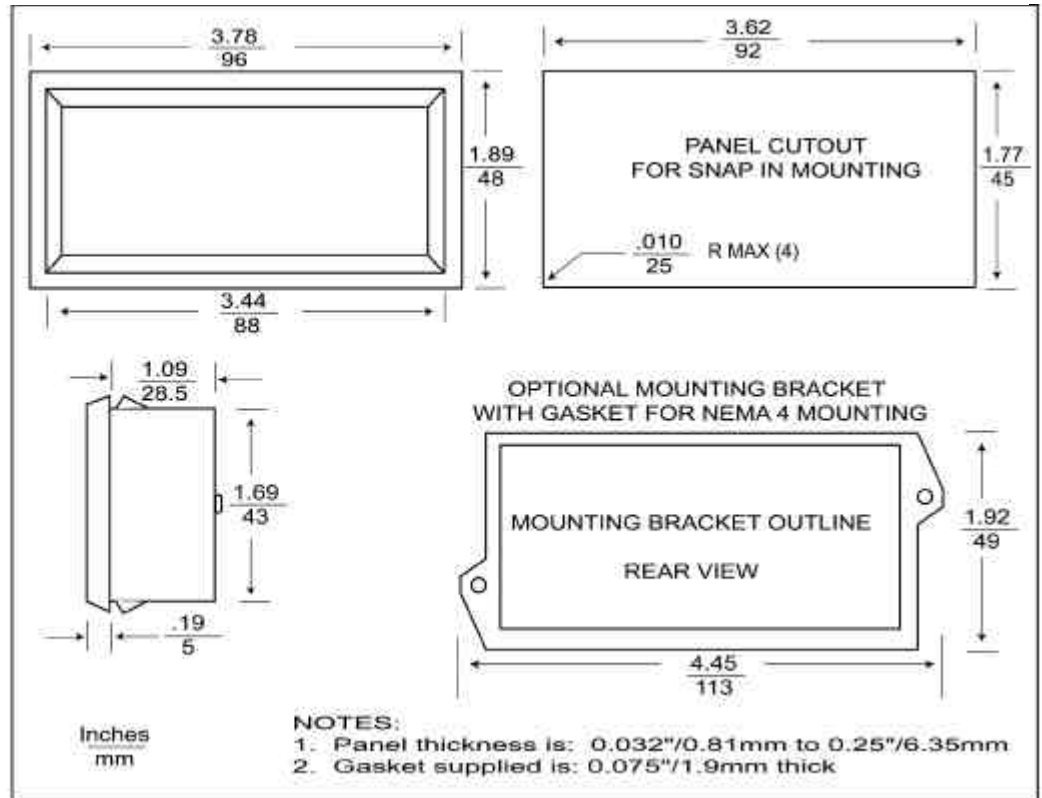


Cutout

WIRING

Pin	Description
1	+5V
2	Neg. Supply
3	INH
4	INLO
5	Dec. common
6	Dec. 000.0 when connected to decimal common
7	Dec. 00.00 when connected to decimal common
8	Dec. 0.000 when connected to decimal common
9	No connection
10	No connection
11	Signal Hold when connected to decimal common (LED) or +5V (LCD)
12	No connection
13	No connection

*Note: Pins 2 & 4 should be tied together for proper operation



4 - 20mA Wiring

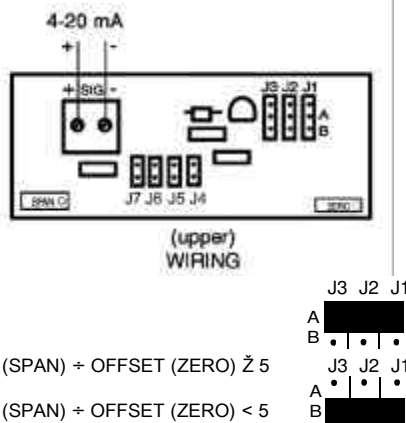
DK807

1. DECIMAL SELECTION:

1999	• • •
199.9	■ • •
19.99	• ■ •
1.999	• • ■
	J6 J5 J4

2. J1, J2, J3 SELECTION:

- IF:** OFFSET (ZERO) IS • 0 *or*
 OFFSET (ZERO) > 0 *and* GAIN (SPAN) ÷ OFFSET (ZERO) ≥ 5
- IF:** OFFSET (ZERO) > 0 *and* GAIN (SPAN) ÷ OFFSET (ZERO) < 5



DK757B, DK857A, DK857B, DK957A, DK957B

