



Chipsmall Limited consists of a professional team with an average of over 10 year of expertise in the distribution of electronic components. Based in Hongkong, we have already established firm and mutual-benefit business relationships with customers from,Europe,America and south Asia,supplying obsolete and hard-to-find components to meet their specific needs.

With the principle of "Quality Parts,Customers Priority,Honest Operation,and Considerate Service",our business mainly focus on the distribution of electronic components. Line cards we deal with include Microchip,ALPS,ROHM,Xilinx,Pulse,ON,Everlight and Freescale. Main products comprise IC,Modules,Potentiometer,IC Socket,Relay,Connector.Our parts cover such applications as commercial,industrial, and automotives areas.

We are looking forward to setting up business relationship with you and hope to provide you with the best service and solution. Let us make a better world for our industry!



## Contact us

Tel: +86-755-8981 8866 Fax: +86-755-8427 6832

Email & Skype: info@chipsmall.com Web: www.chipsmall.com

Address: A1208, Overseas Decoration Building, #122 Zhenhua RD., Futian, Shenzhen, China



Compensated High Current Choke, 1-phase



### Description

- Current compensated choke
- 1-phase choke
- THT-terminals
- Flange for mounting onto printed circuit board

### Unique Selling Proposition

- Compact size and light weight
- Open design for optimal cooling
- Nanocrystalline or ferrite ring cores
- Customer specific pin outs available

### Standards

- EN 60938
- UL 1283
- CSA 22.2 no 8

### Approvals

- UL File Number: E72928
- ENEC File Number: 40043700

### Applications

- Frequency converter
- Charge stations
- UPS-systems
- Switching power supplies

### Weblinks

[pdf datasheet](#), [html-datasheet](#), [General Product Information](#), [Approvals](#), [CE declaration of conformity](#), [RoHS](#), [CHINA-RoHS](#), [REACH](#), [Distributor-Stock-Check](#), [Detailed request for product](#), [SPICE Library](#)

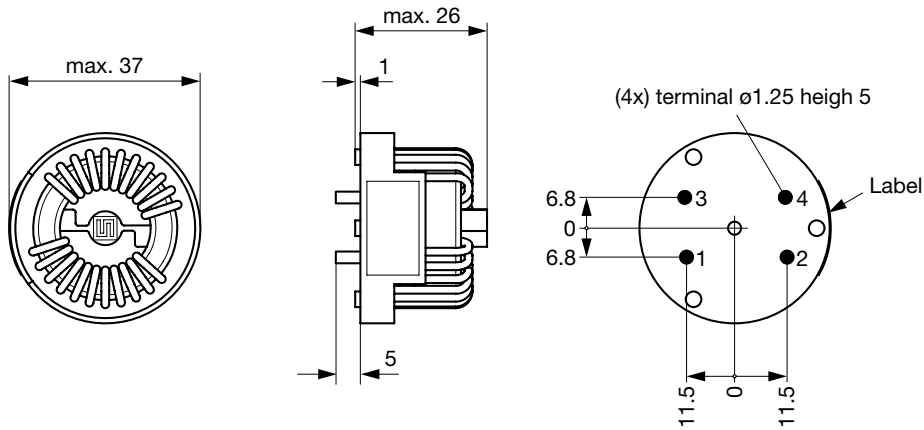
### Technical Data

Rated voltage	IEC, UL: 300VAC	Test Voltage	2500VDC, 2 sec, winding to winding	
	CSA: 250 VAC		Climatic Category	40/100/21 acc. to IEC 60068-1
	max. 425 VDC		Allowable Operation Temp.	-40°C to 100°C
Rated Current	10 - 50A @ Ta 40 °C			
Rated inductance	0.15 - 6.9mH, Tol. -30% +50%			
Power Operating Frequency	0 - 400Hz			
Terminal Type	THT			
Weight	30 - 115g			
Material: Housing	UL 94V-0			

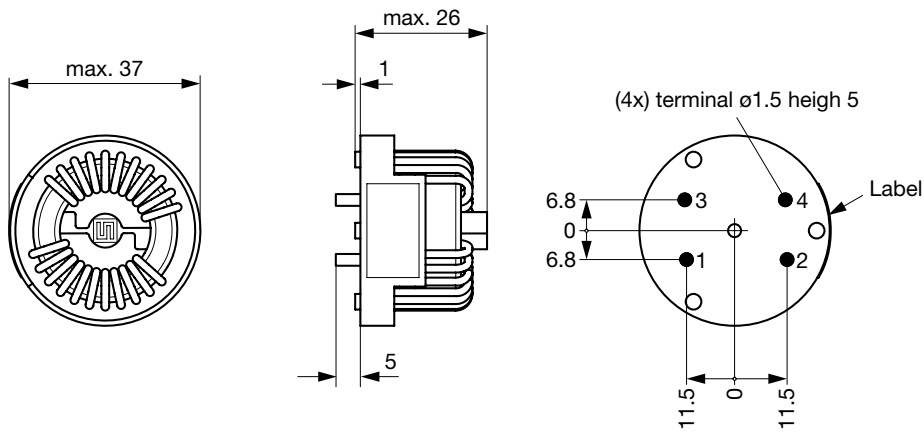
Detailed information on product approvals, code requirements, usage instructions and detailed test conditions can be looked up in [General Product Information](#)

Dimension

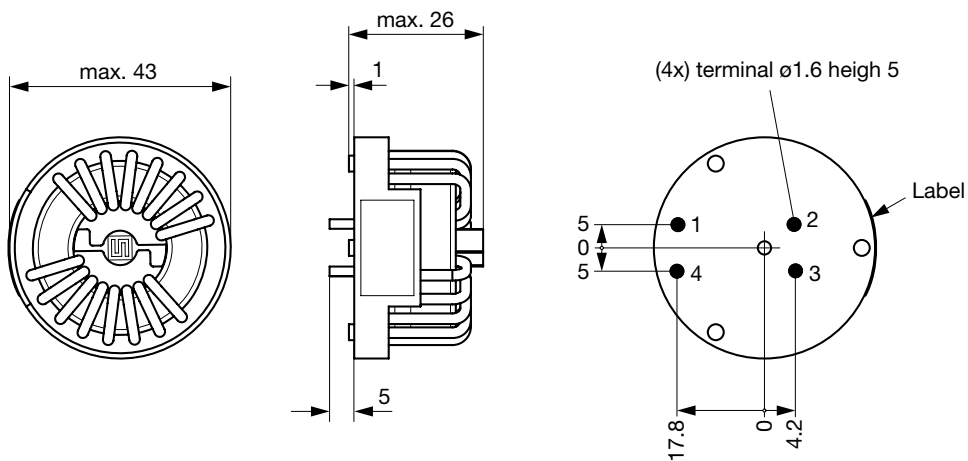
37-10



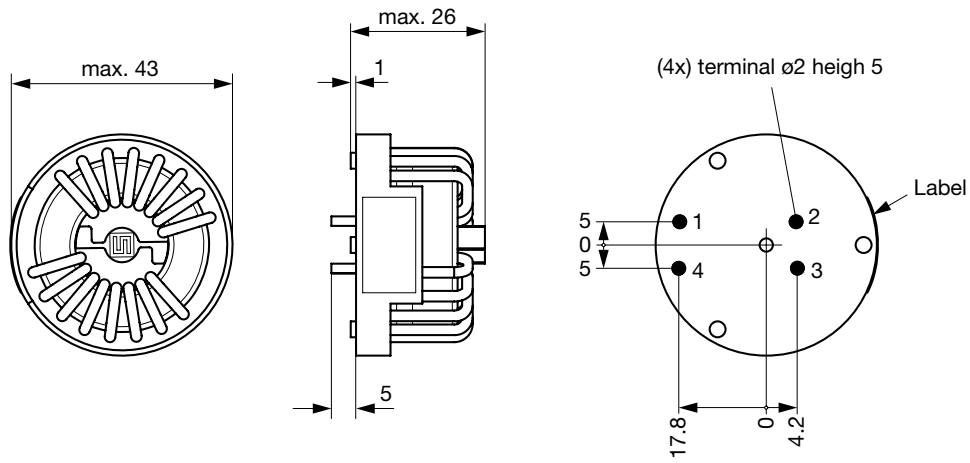
37-12



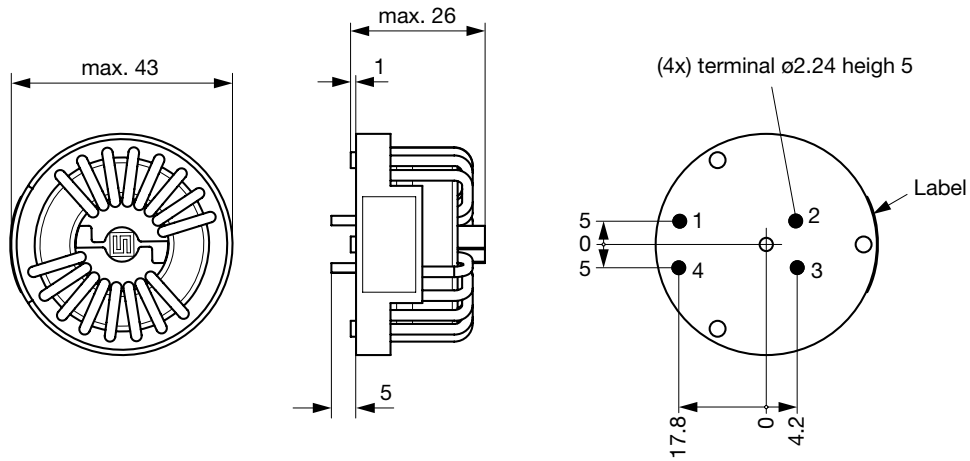
42-16



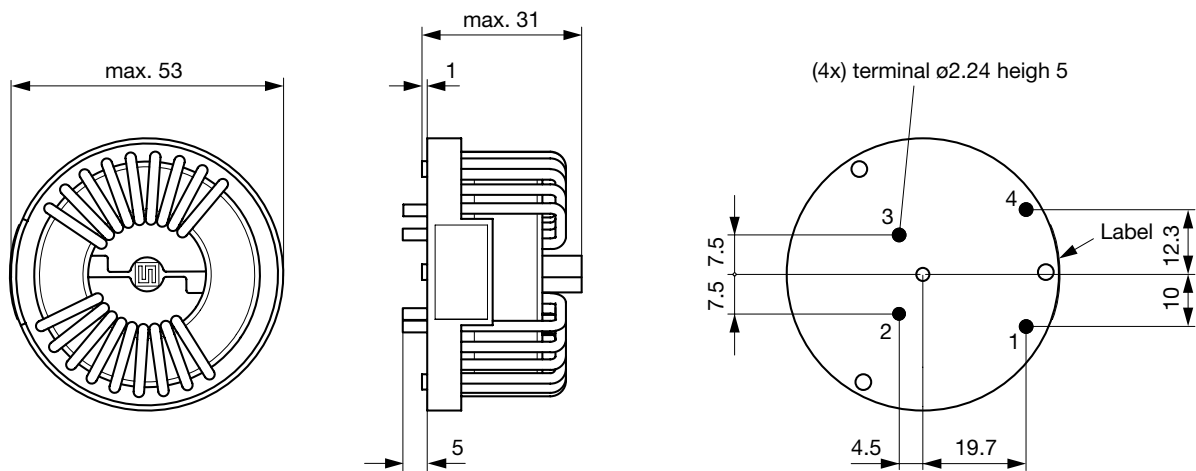
42-20



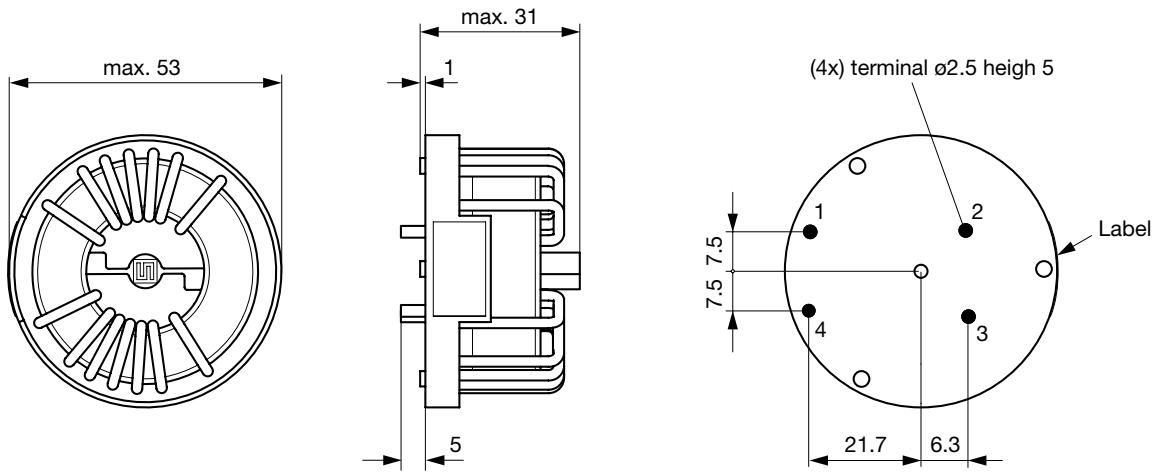
42-25



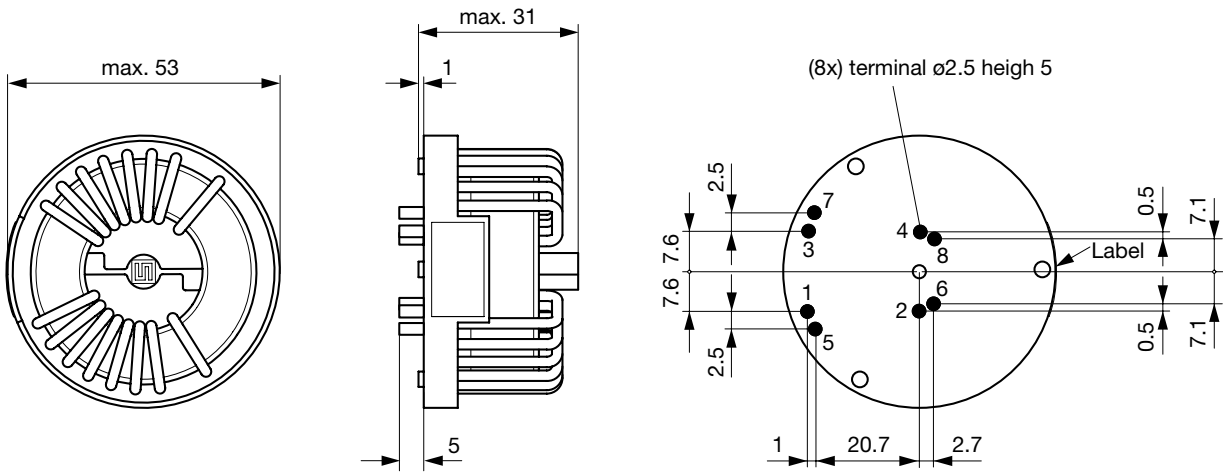
52-32



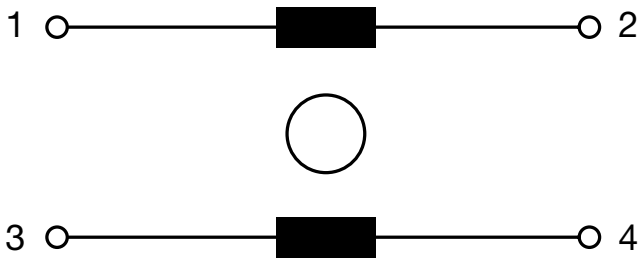
52-40



52-50



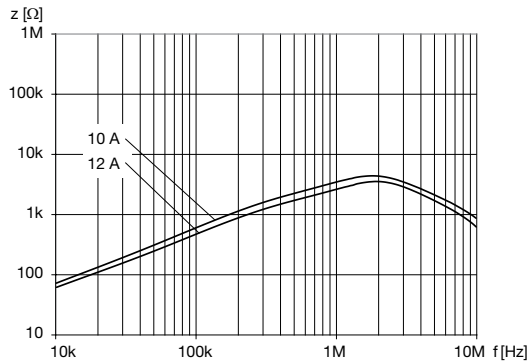
Diagrams



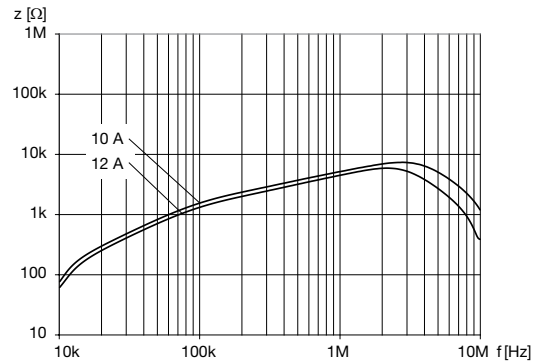
1 phase

Impedance curves

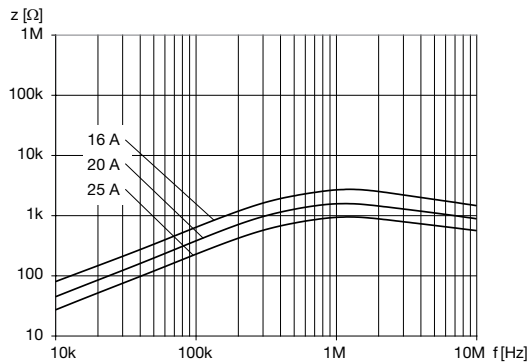
DKIH-3237-xxxx



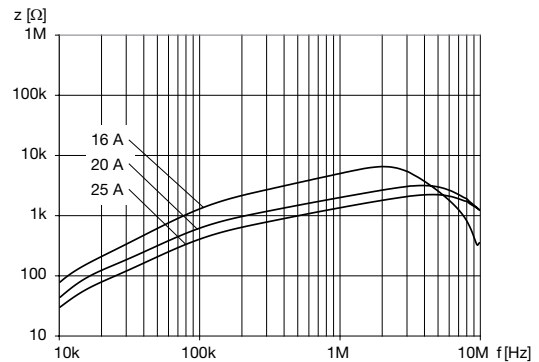
DKIH-3237-xxxx-NK



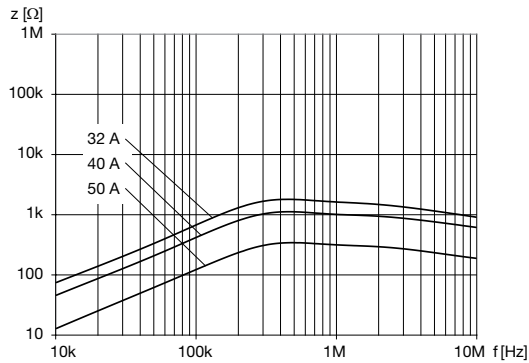
DKIH-3242-xxxx



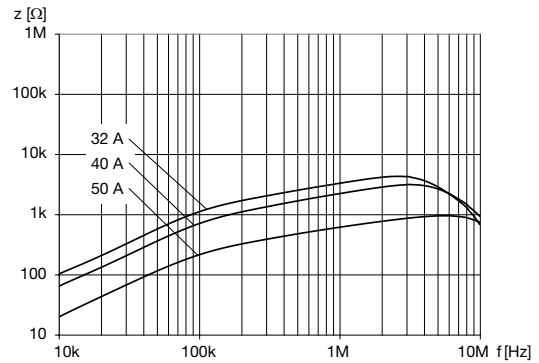
DKIH-3242-xxxx-NK



DKIH-3252-xxxx



DKIH-3252-xxxx-NK



All Variants

$I_n$ [A]	$L_n$ [mH]	$R_{cu}$ [m <sup>2</sup> ]	Power <sub>loss</sub> [W]	$f_{RES}$ [MHz]	Copper $\phi$ [mm]	Weight [g]	Housings	Packing unit [pcs.]	Order Number
10	6.9	10	2	2.2	1.25	30 g	37-10	40	<a href="#">DKIH-3237-1010-NK</a>
10	0.8	10	2	2	1.25	30 g	37-10	40	<a href="#">DKIH-3237-10D8</a>
12	6.8	7	2	2.5	1.5	40 g	37-12	40	<a href="#">DKIH-3237-122Q-NK</a>
12	0.7	7	2	2	1.5	40 g	37-12	40	<a href="#">DKIH-3237-12D7</a>
16	6.9	5.6	2.9	2	1.6	45 g	42-16	20	<a href="#">DKIH-3242-160Q-NK</a>
16	0.9	5.6	2.9	1.5	1.6	45 g	42-16	20	<a href="#">DKIH-3242-16D9</a>
20	3.7	2.5	2	4	2	50 g	42-20	20	<a href="#">DKIH-3242-202M-NK</a>
20	0.5	2.5	2	1.5	2	50 g	42-20	20	<a href="#">DKIH-3242-20D5</a>
25	2.35	1.6	2	5	2.24	50 g	42-25	20	<a href="#">DKIH-3242-257K-NK</a>
25	0.3	1.6	2	1.5	2.24	50 g	42-25	20	<a href="#">DKIH-3242-25D3</a>
32	7.2	2.3	4.7	2.5	2.24	105 g	52-32	20	<a href="#">DKIH-3252-324Q-NK</a>
32	0.75	2.3	4.7	0.4	2.24	105 g	52-32	20	<a href="#">DKIH-3252-32D8</a>
40	4.3	1.5	4.8	3	2.5	115 g	52-40	20	<a href="#">DKIH-3252-409M-NK</a>

$I_n$ [A]	$L_n$ [mH]	$R_{Cu}$ [mΩ]	Power <sub>loss</sub> [W]	$f_{RES}$ [MHz]	Copper $\phi$ [mm]	Weight [g]	Housings	Packing unit [pcs.]	Order Number
40	0.45	1.5	4.8	0.4	2.5	115 g	52-40	20	DKIH-3252-40D5
50	1.4	0.5	2.5	6	2 x 2.5	115 g	52-50	20	DKIH-3252-506J-NK
50	0.15	0.5	2.5	0.4	2 x 2.5	115 g	52-50	20	DKIH-3252-50D2

Most Popular.

Availability for all products can be searched real-time: <http://www.schurter.com/en/Stock-Check/Stock-Check-SCHURTER>