



Chipsmall Limited consists of a professional team with an average of over 10 year of expertise in the distribution of electronic components. Based in Hongkong, we have already established firm and mutual-benefit business relationships with customers from,Europe,America and south Asia,supplying obsolete and hard-to-find components to meet their specific needs.

With the principle of “Quality Parts,Customers Priority,Honest Operation,and Considerate Service”,our business mainly focus on the distribution of electronic components. Line cards we deal with include Microchip,ALPS,ROHM,Xilinx,Pulse,ON,Everlight and Freescale. Main products comprise IC,Modules,Potentiometer,IC Socket,Relay,Connector.Our parts cover such applications as commercial,industrial, and automotives areas.

We are looking forward to setting up business relationship with you and hope to provide you with the best service and solution. Let us make a better world for our industry!



Contact us

Tel: +86-755-8981 8866 Fax: +86-755-8427 6832

Email & Skype: info@chipsmall.com Web: www.chipsmall.com

Address: A1208, Overseas Decoration Building, #122 Zhenhua RD., Futian, Shenzhen, China



FEATURES

- ▶ 0.37", 3½ digit high intensity LED display
- ▶ Available in RED, BLUE or GREEN
- ▶ User-selectable decimal points
- ▶ Polycarbonate case
- ▶ Optional bezel mount



SPECIFICATIONS

DISPLAY

Numeral Size: .37" (9.4 mm)
 Overrange: three lower order digits blank for inputs >1999 & < -1999
 Polarity Indication: automatic (-) for negative
 Supply Voltage: +5 VDC @ 40 mA

INPUTS

Input Ranges: ±200 mV, ± 2 V, ±20 V
 Input Impedance: 1000 MΩ (200 mV)
 1 MΩ (other ranges)
 Common Mode Range: ± 1 VDC

PERFORMANCE

Accuracy: ±1% F.S. ± 2 counts
 Sampling Rate: 3 per second

ENVIRONMENT

Operating Temperature: 0 to 50 °C
 Max Humidity: 95% (non-condensing)

CONNECTION

12 pin

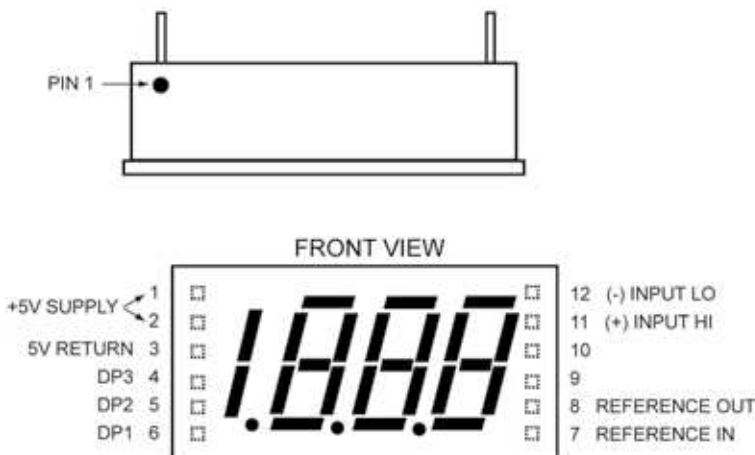
ORDERING INFO

PART NUMBER	METER COLOR	METER INPUT
DLA-200B.....	BLUE.....	200mV
DLA-201B.....	BLUE.....	2V
DLA-202B.....	BLUE.....	20V
DLA-200G.....	GREEN.....	200mV
DLA-201G.....	GREEN.....	2V
DLA-202G.....	GREEN.....	20V
DLA-200R.....	RED.....	200mV
DLA-201R.....	RED.....	2V
DLA-202R.....	RED.....	20V

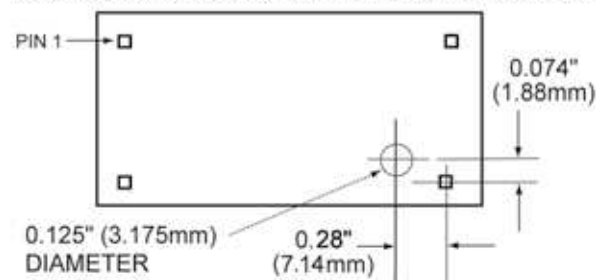
ACCESSORIES

DLA-BEZ-20-G.....	Bezel Assembly
PW2-5.....	Regulated 120V AC to 5V DC Power Supply
CVC.....	Calibrator

WIRING



FRONT VIEW CALIBRATION POTENTIOMETER HOLE LOCATION



To enable DPs (Pin 4-6) connect to Pin 3 (5V return)
 Pin 3 should be tied to Pin 12 for normal operation
 Connect Pins 7 & 8



DIMENSIONS

