



Chipsmall Limited consists of a professional team with an average of over 10 year of expertise in the distribution of electronic components. Based in Hongkong, we have already established firm and mutual-benefit business relationships with customers from,Europe,America and south Asia,supplying obsolete and hard-to-find components to meet their specific needs.

With the principle of “Quality Parts,Customers Priority,Honest Operation,and Considerate Service”,our business mainly focus on the distribution of electronic components. Line cards we deal with include Microchip,ALPS,ROHM,Xilinx,Pulse,ON,Everlight and Freescale. Main products comprise IC,Modules,Potentiometer,IC Socket,Relay,Connector.Our parts cover such applications as commercial,industrial, and automotives areas.

We are looking forward to setting up business relationship with you and hope to provide you with the best service and solution. Let us make a better world for our industry!



Contact us

Tel: +86-755-8981 8866 Fax: +86-755-8427 6832

Email & Skype: info@chipsmall.com Web: www.chipsmall.com

Address: A1208, Overseas Decoration Building, #122 Zhenhua RD., Futian, Shenzhen, China





FEATURES

- ▶ 0.37", 3½ digit high contrast LCD
- ▶ Optional positive green backlight
- ▶ User-selectable decimal points
- ▶ Polycarbonate case
- ▶ Optional bezel mount

SPECIFICATIONS

DISPLAY

Numeral Size: .37" (9.4 mm)
 Overrange: three lower order digits blank for inputs >1999 & < -1999
 Polarity Indication: automatic (-) for negative
 Supply Voltage: +5 VDC @2mA (10mA with backlight option)

INPUTS

Input Ranges: ±200 mVdc, ± 2Vdc, ±20Vdc, ±200Vdc
 Input Impedance: 1000 MΩ (200 mV)
 1 MΩ (other ranges)
 Common Mode Range: ± 1 Vdc

PERFORMANCE

Accuracy: ±1% F.S. ± 2 counts
 Sampling Rate: 3 per second

ENVIRONMENT

Operating Temperature: 0 to 50 °C
 Max Humidity: 95% (non-condensing)

CONNECTION

12 pin

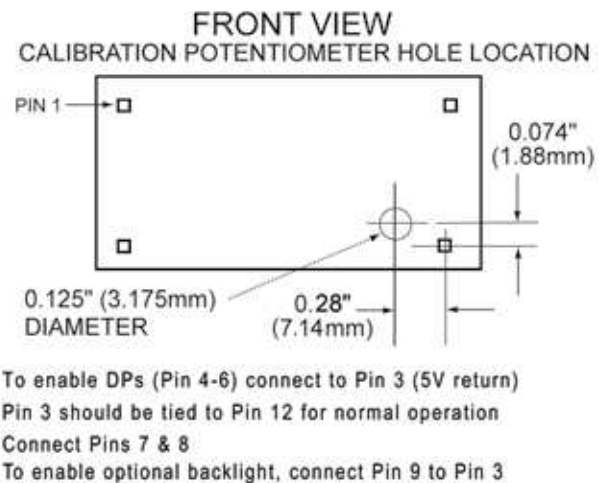
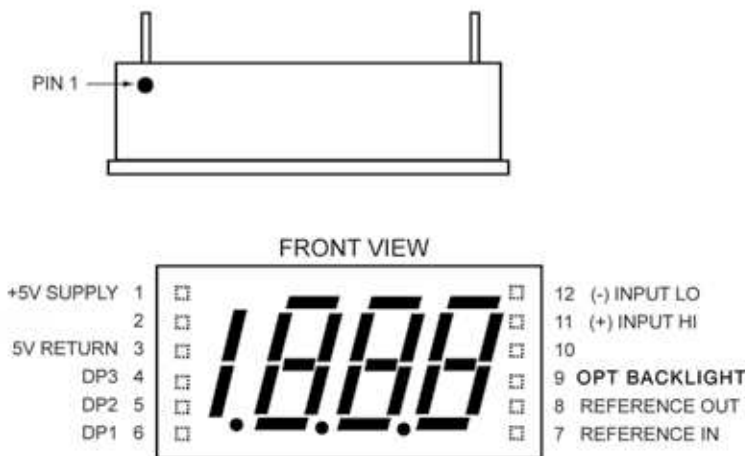
ORDERING INFO

PART NUMBER	BACKLIGHT	METER INPUT
DLA-200LCD	NONE	±200mV
DLA-200LCD-L	.5V POSITIVE GREEN	±200mV
DLA-201LCD	NONE	±2V
DLA-201LCD-L	.5V POSITIVE GREEN	±2V
DLA-202LCD	NONE	±20V
DLA-202LCD-L	.5V POSITIVE GREEN	±20V
DLA-203LCD	NONE	±200V
DLA-203LCD-L	.5V POSITIVE GREEN	±200V

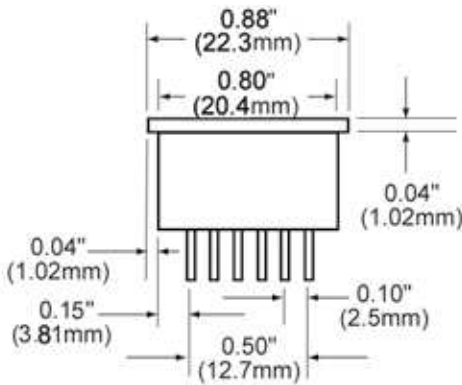
ACCESSORIES

DLA-BEZ-20-G	Bezel Assembly
PW2-5	Regulated 120V AC to 5V DC Power Supply
CVC	Calibrator

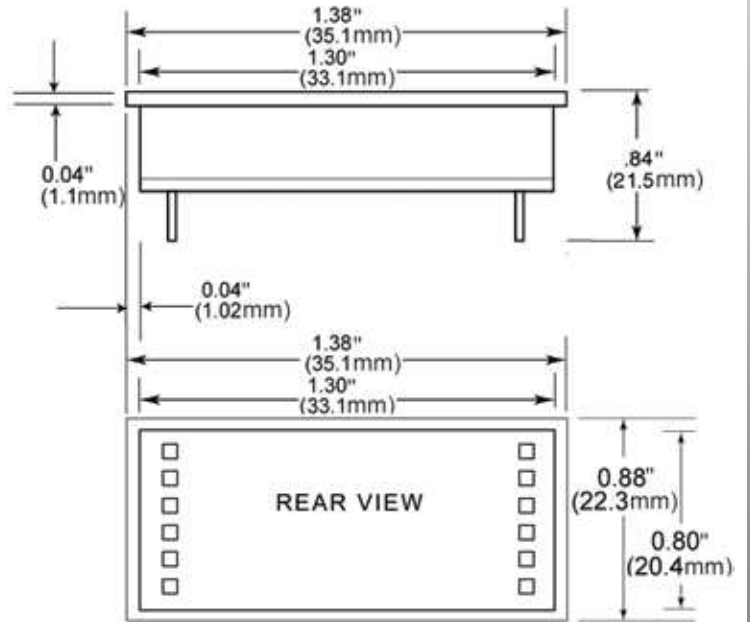
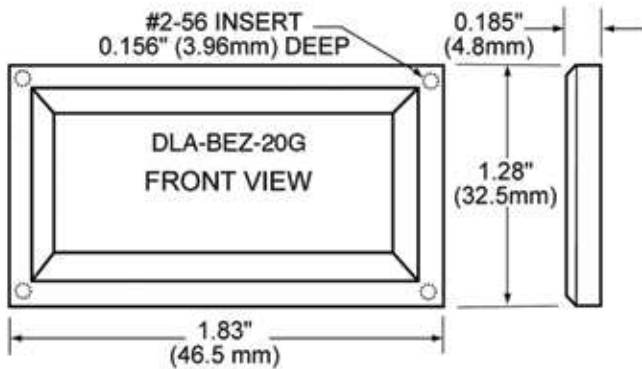
WIRING



DIMENSIONS



BEZEL ASSEMBLY



BEZEL ASSEMBLY

