



Chipsmall Limited consists of a professional team with an average of over 10 year of expertise in the distribution of electronic components. Based in Hongkong, we have already established firm and mutual-benefit business relationships with customers from,Europe,America and south Asia,supplying obsolete and hard-to-find components to meet their specific needs.

With the principle of “Quality Parts,Customers Priority,Honest Operation,and Considerate Service”,our business mainly focus on the distribution of electronic components. Line cards we deal with include Microchip,ALPS,ROHM,Xilinx,Pulse,ON,Everlight and Freescale. Main products comprise IC,Modules,Potentiometer,IC Socket,Relay,Connector.Our parts cover such applications as commercial,industrial, and automotives areas.

We are looking forward to setting up business relationship with you and hope to provide you with the best service and solution. Let us make a better world for our industry!



## Contact us

Tel: +86-755-8981 8866 Fax: +86-755-8427 6832

Email & Skype: info@chipsmall.com Web: www.chipsmall.com

Address: A1208, Overseas Decoration Building, #122 Zhenhua RD., Futian, Shenzhen, China





### FEATURES

- ▶ 0.45", 3½ digit high contrast LCD
- ▶ Optional positive green backlight
- ▶ User-selectable decimal points
- ▶ Polycarbonate case
- ▶ Optional bezel mount

### SPECIFICATIONS

#### DISPLAY

Numerical Size: .45" (11.43 mm)  
 Overrange: three lower order digits blank for inputs >1999 & < -1999  
 Polarity Indication: automatic (-) for negative  
 Supply Voltage: +5 VDC @2mA (10mA with backlight option)

#### INPUTS

Input Ranges: ±200 mVdc, ± 2Vdc, ±20Vdc, ±200Vdc  
 Input Impedance: 1000 MΩ (200 mV)  
 1 MΩ (other ranges)  
 Common Mode Range: ± 1 Vdc

#### PERFORMANCE

Accuracy: ±1% F.S. ± 2 counts  
 Sampling Rate: 3 per second

#### ENVIRONMENT

Operating Temperature: 0 to 50 °C  
 Max Humidity: 95% (non-condensing)

#### CONNECTION

12 pin

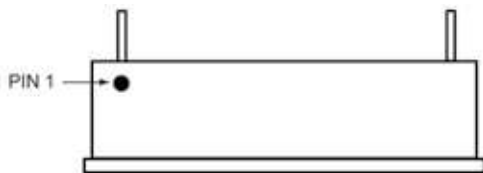
### ORDERING INFO

PART NUMBER	BACKLIGHT	METER INPUT
DLA-300LCD.....	NONE .....	±200mV
DLA-300LCD-L .....	5V POSITIVE GREEN.....	±200mV
DLA-301LCD.....	NONE .....	±2V
DLA-301LCD-L .....	5V POSITIVE GREEN.....	±2V
DLA-302LCD.....	NONE .....	±20V
DLA-302LCD-L .....	5V POSITIVE GREEN.....	±20V
DLA-303LCD.....	NONE .....	±200V
DLA-303LCD-L .....	5V POSITIVE GREEN.....	±200V

#### ACCESSORIES

DLA-BEZ .....	Bezel Assembly
PW2-5.....	Regulated 120V AC to 5V DC Power Supply
CVC .....	Calibrator

### WIRING

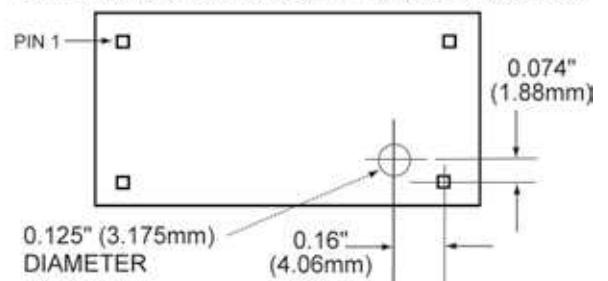


FRONT VIEW



Pin Dimensions: 0.025" (0.626 mm) x 0.025" (0.626 mm)

FRONT VIEW  
CALIBRATION POTENTIOMETER HOLE LOCATION



To enable DPs (Pin 4-6) connect to Pin 3 (5V return)

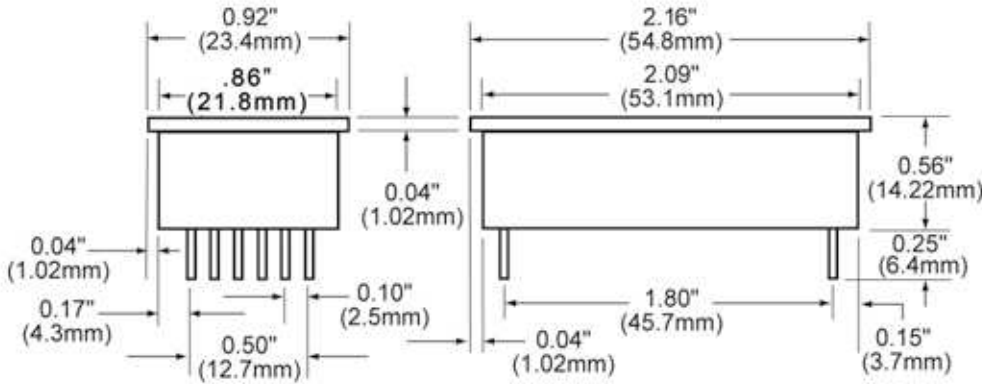
Pin 3 should be tied to Pin 12 for normal operation

Connect Pins 7 & 8

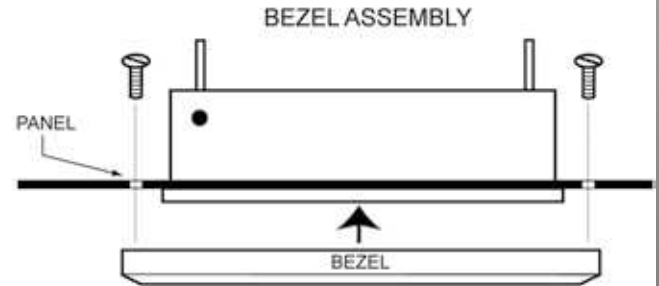
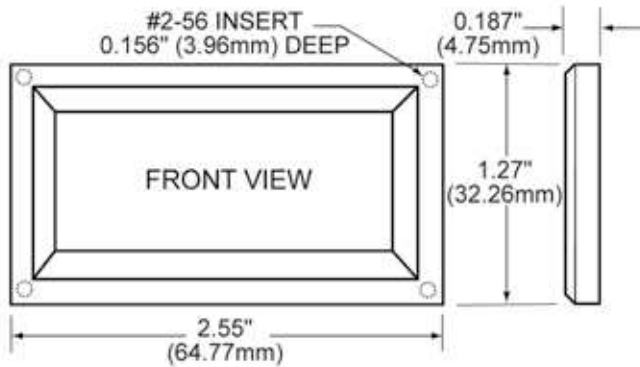
To enable optional backlight, connect Pin 2 to Pin 3



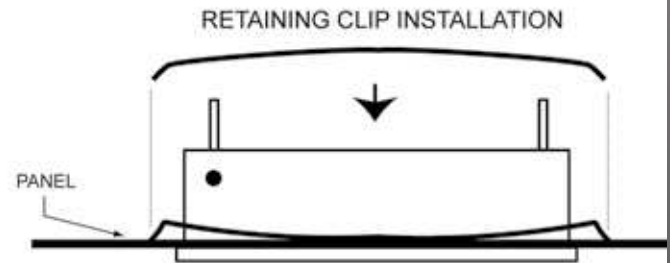
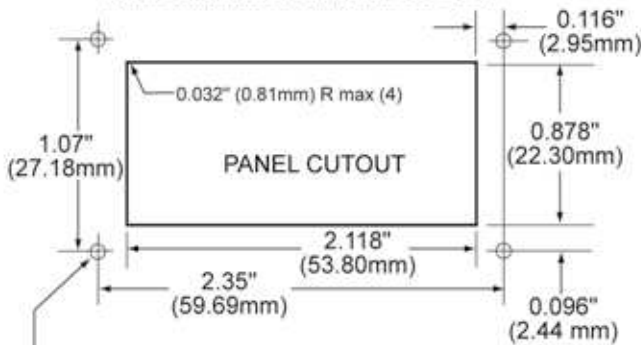
**DIMENSIONS**



**BEZEL ASSEMBLY**



**RECOMMENDED PANEL CUTOUT**



0.093 (2.362) DIAMETER (4 REQUIRED)  
 ONLY WHEN USING BEZEL ASSEMBLY