



Chipsmall Limited consists of a professional team with an average of over 10 year of expertise in the distribution of electronic components. Based in Hongkong, we have already established firm and mutual-benefit business relationships with customers from,Europe,America and south Asia,supplying obsolete and hard-to-find components to meet their specific needs.

With the principle of “Quality Parts,Customers Priority,Honest Operation,and Considerate Service”,our business mainly focus on the distribution of electronic components. Line cards we deal with include Microchip,ALPS,ROHM,Xilinx,Pulse,ON,Everlight and Freescale. Main products comprise IC,Modules,Potentiometer,IC Socket,Relay,Connector.Our parts cover such applications as commercial,industrial, and automotives areas.

We are looking forward to setting up business relationship with you and hope to provide you with the best service and solution. Let us make a better world for our industry!



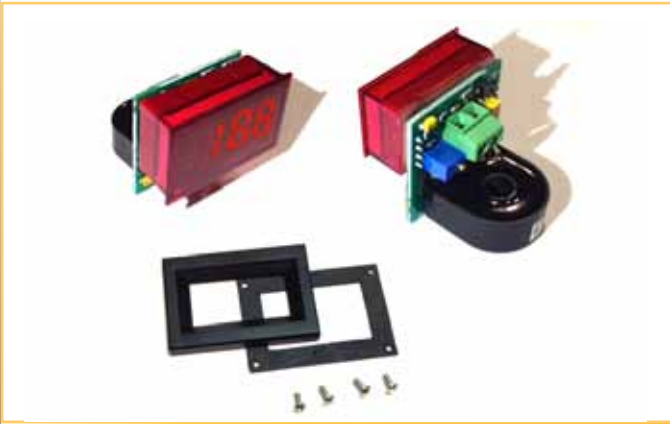
Contact us

Tel: +86-755-8981 8866 Fax: +86-755-8427 6832

Email & Skype: info@chipsmall.com Web: www.chipsmall.com

Address: A1208, Overseas Decoration Building, #122 Zhenhua RD., Futian, Shenzhen, China





FEATURES

- ▶ Scales and displays the output of 50:5A to 2000:5A current transformers
- ▶ 14 ranges (0-50 Amp to 0-2000 Amp)
- ▶ Available in easy to read RED, BLUE or GREEN LED
- ▶ Can be self-powered

The DLA20-ACA5 Series AC Ammeters are designed to scale and digitally display the output of standard, 5A-output current transformers (50:5A, 500:5A, 1000:5A, etc.).

SPECIFICATIONS

DISPLAY

Numeral Size: .37" (9.4 mm)
 Overrange: three lower order digits blank
 Supply Voltage: 85-264 Vac 50/60Hz

INPUTS

Input Ranges: see ordering guide
 0-5ACA input

PERFORMANCE

Accuracy: $\pm 0.2\%$ FS ± 6 counts
 Sampling Rate: 2.5 per second

ENVIRONMENT

Operating Temperature: -10 to 50 °C
 Max Humidity: 95% (non-condensing)

CONNECTION

2 Terminal Power, Thru-Hole CT Input

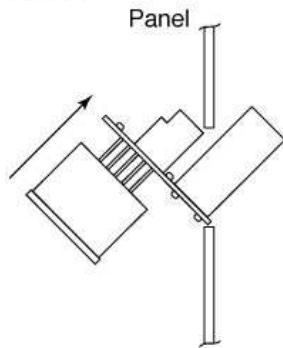
ORDERING INFO

PART NUMBER	METER COLOR	METER INPUT
DLA20-ACA5- X -AC1-R.....	RED	Replace " X " with corresponding number for meter input choice
DLA20-ACA5- X -AC1-B.....	BLUE	
DLA20-ACA5- X -AC1-G.....	GREEN	
		1 = 50.0A 8 = 400A
		2 = 75.0A 9 = 500A
		3 = 100.0A 10 = 600A
		4 = 150.0A 11 = 750A
		5 = 199.9A 12 = 1000A
		6 = 250A 13 = 1500A
		7 = 300A 14 = 1999A
ACCESSORIES INCLUDED		
DLA-BEZ-20-G Bezel Assembly		

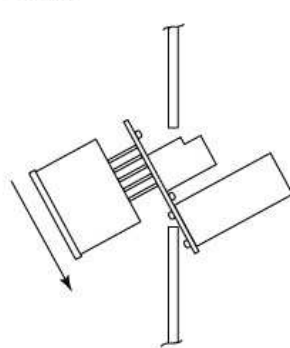
PANEL INSTALLATION

All connections to ammeters must be made after the ammeter is securely attached to the panel and with all load and supply voltages de-energized (off).

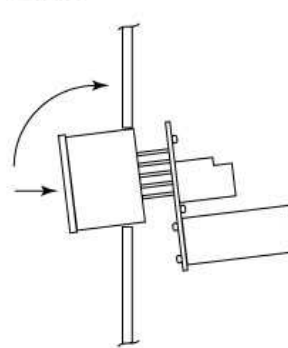
Step 1



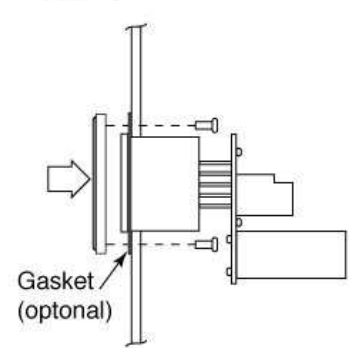
Step 2



Step 3

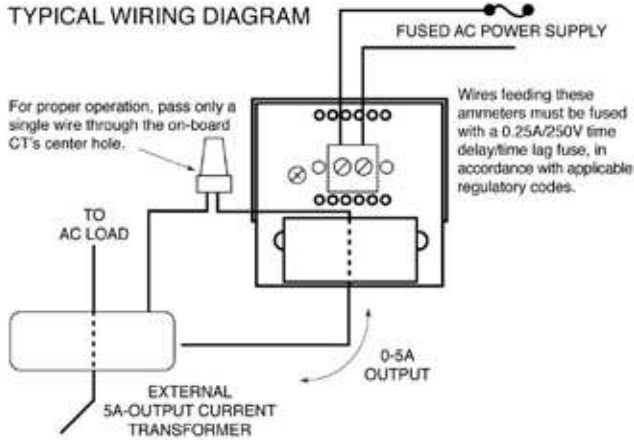


Step 4

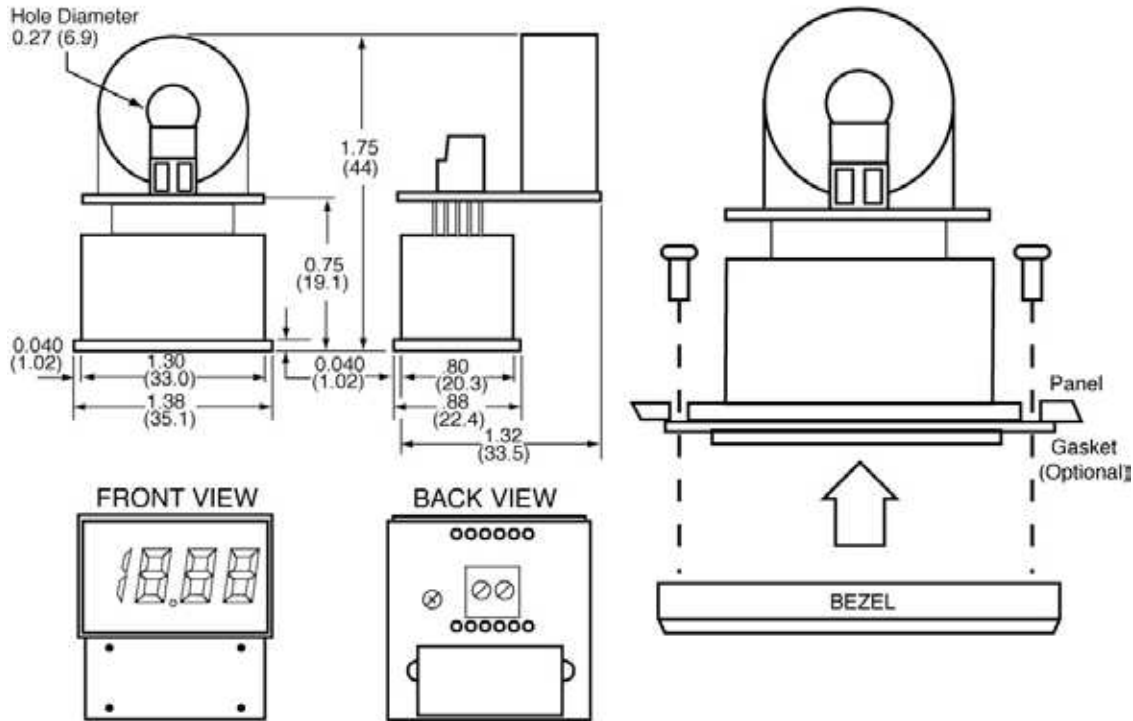


LED Display, DC Ammeters

DIMENSIONS & WIRING



MECHANICAL SPECIFICATIONS



BEZEL INSTALLATION AND RECOMMENDED DRILL AND PANEL CUTOUT

