



Chipsmall Limited consists of a professional team with an average of over 10 year of expertise in the distribution of electronic components. Based in Hongkong, we have already established firm and mutual-benefit business relationships with customers from,Europe,America and south Asia,supplying obsolete and hard-to-find components to meet their specific needs.

With the principle of "Quality Parts,Customers Priority,Honest Operation,and Considerate Service",our business mainly focus on the distribution of electronic components. Line cards we deal with include Microchip,ALPS,ROHM,Xilinx,Pulse,ON,Everlight and Freescale. Main products comprise IC,Modules,Potentiometer,IC Socket,Relay,Connector.Our parts cover such applications as commercial,industrial, and automotives areas.

We are looking forward to setting up business relationship with you and hope to provide you with the best service and solution. Let us make a better world for our industry!



## Contact us

Tel: +86-755-8981 8866 Fax: +86-755-8427 6832

Email & Skype: info@chipsmall.com Web: www.chipsmall.com

Address: A1208, Overseas Decoration Building, #122 Zhenhua RD., Futian, Shenzhen, China



### FEATURES

- ▶ Available in easy to read RED, BLUE or GREEN LED
- ▶ Built in shunts

The DLA20-DCA Series utilizes an on-board shunt to provide a digital read out of the monitored dc current.



### SPECIFICATIONS

#### DISPLAY

Numeral Size: .37" (9.4 mm)  
 Overrange: three lower order digits blank  
 Supply Voltage: 5-40 Vdc, 10-51 mA

#### INPUTS

Input Ranges: 199.9µA, 1.999mA, 19.99mA  
 199.9mA, 1.999A, 19.99A

#### PERFORMANCE

Accuracy: 0.2% FS  
 Sampling Rate: 2.5 per second

#### ENVIRONMENT

Operating Temperature: -10 to 50 °C  
 Max Humidity: 95% (non-condensing)

#### CONNECTION

4 terminal

### ORDERING INFO

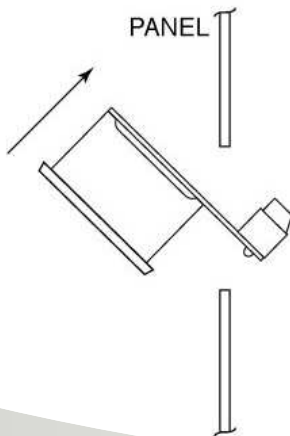
PART NUMBER	METER COLOR	METER INPUT
DLA20-DCA-R-1	RED	199.9µA
DLA20-DCA-B-1	BLUE	199.9µA
DLA20-DCA-G-1	GREEN	199.9µA
DLA20-DCA-R-2	RED	1.999mA
DLA20-DCA-B-2	BLUE	1.999mA
DLA20-DCA-G-2	GREEN	1.999mA
DLA20-DCA-R-3	RED	19.99mA
DLA20-DCA-B-3	BLUE	19.99mA
DLA20-DCA-G-3	GREEN	19.99mA
DLA20-DCA-R-4	RED	199.9mA
DLA20-DCA-B-4	BLUE	199.9mA
DLA20-DCA-G-4	GREEN	199.9mA
DLA20-DCA-R-5	RED	1.999A
DLA20-DCA-B-5	BLUE	1.999A
DLA20-DCA-G-5	GREEN	1.999A
DLA20-DCA-R-6	RED	19.99A
DLA20-DCA-B-6	BLUE	19.99A
DLA20-DCA-G-6	GREEN	19.99A

#### ACCESSORIES INCLUDED

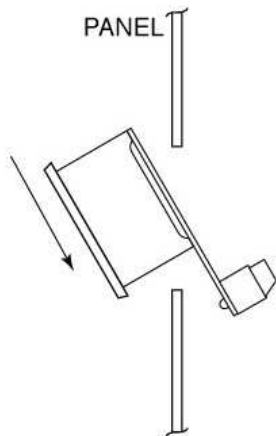
DLA-BEZ-20-G Bezel Assembly

### PANEL INSTALLATION

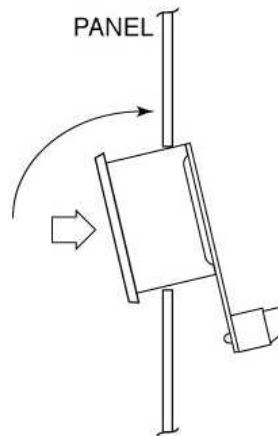
Step 1



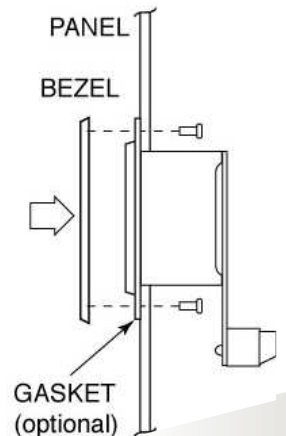
Step 2



Step 3

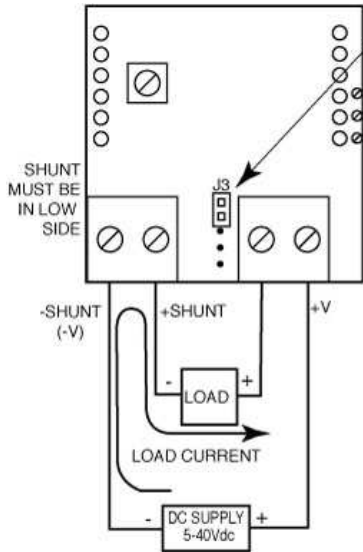


Step 4

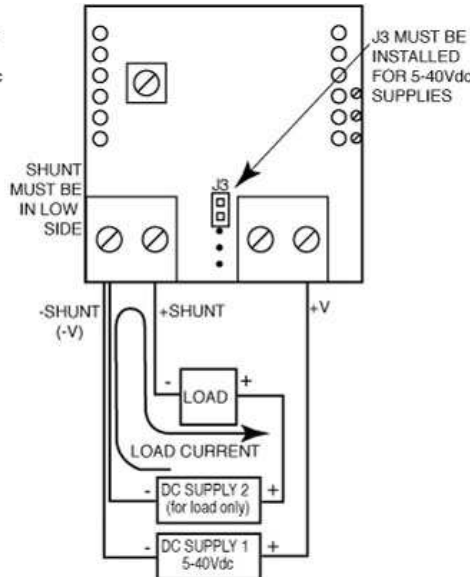


**DIMENSIONS & WIRING**

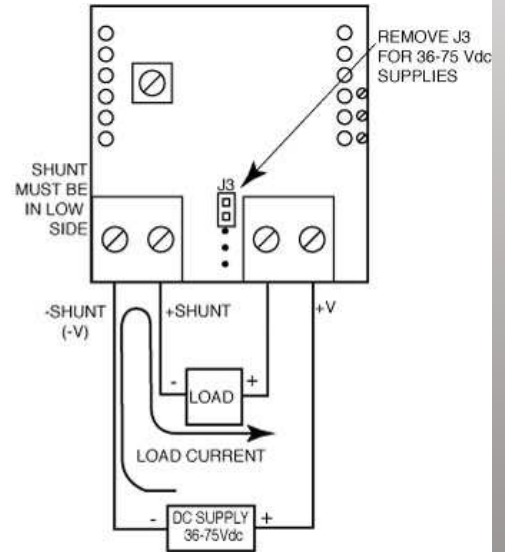
WIRING



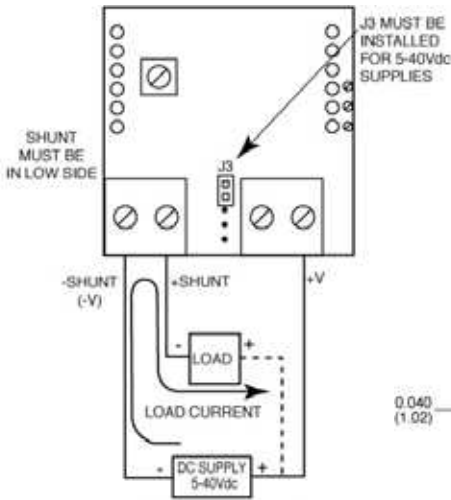
Low-Side Shunt Connections for 5-40Vdc Non-Isolated Supply Models



Low-Side Shunt Connections for Models Using Two Power Supplies

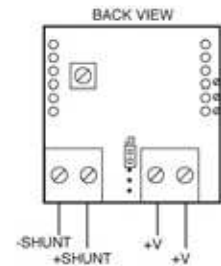
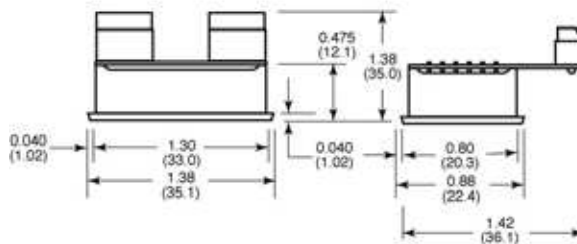


Low-Side Shunt Connections for Models Modified for 36-75Vdc Non-Isolated Power



3-Wire Connections for 5-40Vdc Powered Models

**Operation with 36 to 75Vdc Power:** As shipped, all models rated operating supply range is -5 to +40Vdc. However, DLA20-DGA models can be user configured for 36 to 75Vdc operation by removing (opening) jumper J3. Also, all models - including those that have been modified for 36-75Vdc operation - can only be connected in low-side, grounded-shunt applications.



**BEZEL INSTALLATION AND RECOMMENDED DRILL AND PANEL CUTOUT**

