



Chipsmall Limited consists of a professional team with an average of over 10 year of expertise in the distribution of electronic components. Based in Hongkong, we have already established firm and mutual-benefit business relationships with customers from,Europe,America and south Asia,supplying obsolete and hard-to-find components to meet their specific needs.

With the principle of “Quality Parts,Customers Priority,Honest Operation,and Considerate Service”,our business mainly focus on the distribution of electronic components. Line cards we deal with include Microchip,ALPS,ROHM,Xilinx,Pulse,ON,Everlight and Freescale. Main products comprise IC,Modules,Potentiometer,IC Socket,Relay,Connector.Our parts cover such applications as commercial,industrial, and automotives areas.

We are looking forward to setting up business relationship with you and hope to provide you with the best service and solution. Let us make a better world for our industry!



Contact us

Tel: +86-755-8981 8866 Fax: +86-755-8427 6832

Email & Skype: info@chipsmall.com Web: www.chipsmall.com

Address: A1208, Overseas Decoration Building, #122 Zhenhua RD., Futian, Shenzhen, China





FEATURES

- ▶ Screw terminals
- ▶ Available in easy to read RED, BLUE or GREEN LED
- ▶ Full-wave averaging
- ▶ Self Powered

SPECIFICATIONS

DISPLAY

Numeral Size: .37" (9.4 mm)
 Overage: three lower order digits blank
 Freq Range: 47-63Hz
 Supply Voltage: self powered

INPUTS

Input Ranges: 85-264Vrms

PERFORMANCE

Accuracy: $\pm 1V$ (Typ) $\pm 2V$ (Max)
 Sampling Rate: 2.5 per second
 Measurement Type: full wave averaging

ENVIRONMENT

Operating Temperature: -10 to 50 °C
 Max Humidity: 95% (non-condensing)

CONNECTION

2 screw terminals

ORDERING INFO

PART NUMBER	METER COLOR	METER INPUT
DLA20-LM-R-1.....	RED	85-264Vrms
DLA20-LM-B-1.....	BLUE.....	85-264Vrms
DLA20-LM-G-1	GREEN	85-264Vrms

ACCESSORIES INCLUDED

DLA-BEZ-20-G Bezel Assembly



Specifications Installation and Operating Instructions
LED Digital Panel Meters

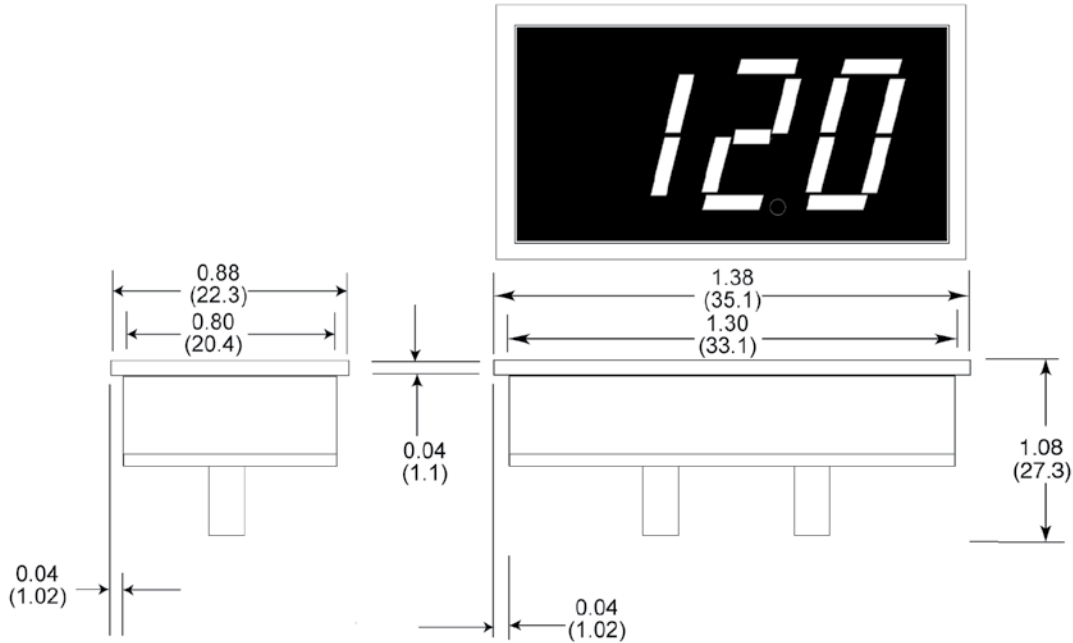
DLA20-LM



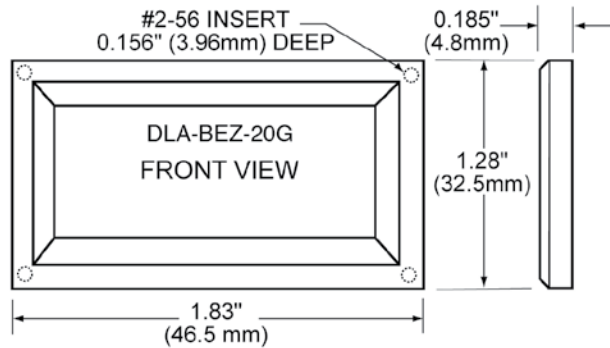
Self Powered, 3 Digit LED Display, AC Line Voltage

DIMENSIONS

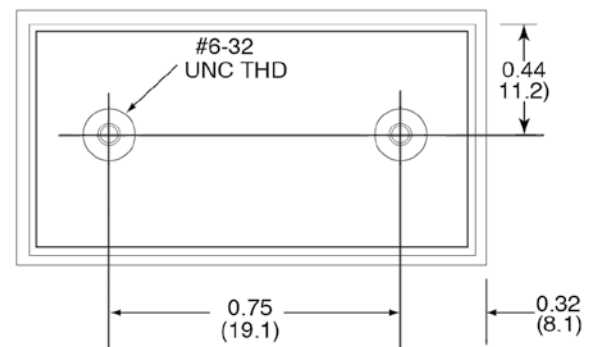
FRONT VIEW



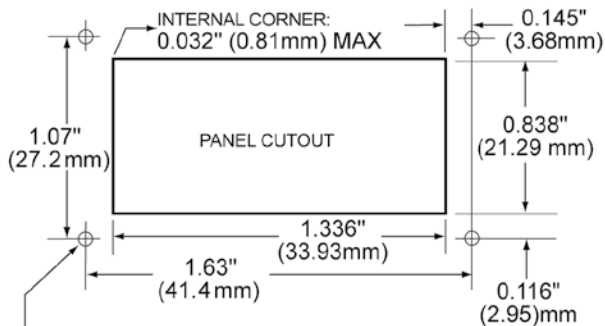
BEZEL ASSEMBLY



BACK VIEW



RECOMMENDED PANEL CUTOUT



0.093 (2.362) DIAMETER (4 REQUIRED)
 ONLY WHEN USING BEZEL ASSEMBLY