



Chipsmall Limited consists of a professional team with an average of over 10 year of expertise in the distribution of electronic components. Based in Hongkong, we have already established firm and mutual-benefit business relationships with customers from,Europe,America and south Asia,supplying obsolete and hard-to-find components to meet their specific needs.

With the principle of “Quality Parts,Customers Priority,Honest Operation,and Considerate Service”,our business mainly focus on the distribution of electronic components. Line cards we deal with include Microchip,ALPS,ROHM,Xilinx,Pulse,ON,Everlight and Freescale. Main products comprise IC,Modules,Potentiometer,IC Socket,Relay,Connector.Our parts cover such applications as commercial,industrial, and automotives areas.

We are looking forward to setting up business relationship with you and hope to provide you with the best service and solution. Let us make a better world for our industry!



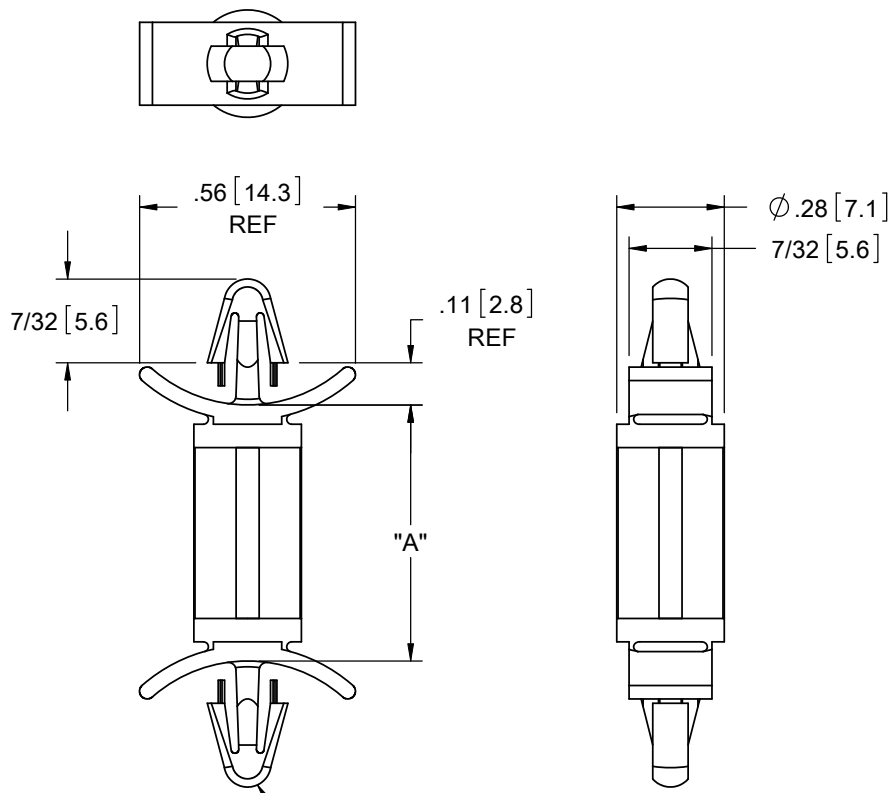
Contact us

Tel: +86-755-8981 8866 Fax: +86-755-8427 6832

Email & Skype: info@chipsmall.com Web: www.chipsmall.com

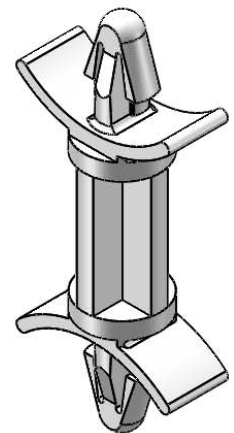
Address: A1208, Overseas Decoration Building, #122 Zhenhua RD., Futian, Shenzhen, China





TO SNAP-LOCK IN A .156±.003
[4±0.08] DIA. HOLE, IN A
.031-.078 [0.79-1.98] PANEL THICKNESS
(BOTH ENDS)

MATERIAL: NYLON 6/6 UL 94 V-2 (RMS-01) COLOR: NATURAL PART NO.	MATERIAL: NYLON 6/6 UL 94 V-0 (RMS-19) COLOR: NATURAL PART NO.	DIM. "A"±.015 [0.4]
DLCBS-3-01	DLCBS-3-19	3/16 [4.8]
DLCBS-4-01	DLCBS-4-19	1/4 [6.4]
DLCBS-6-01	DLCBS-6-19	3/8 [9.5]
DLCBS-8-01	DLCBS-8-19	1/2 [12.7]
DLCBS-9-01	DLCBS-9-19	9/16 [14.3]
DLCBS-10-01	DLCBS-10-19	5/8 [15.9]
DLCBS-12-01	DLCBS-12-19	3/4 [19.1]
DLCBS-14-01	DLCBS-14-19	7/8 [22.2]



- NOTES:
 1. MATERIAL: NYLON 6/6 UL 94 HB (RMS-73)
 COLOR: NATURAL.
 AVAILABLE BY SPECIAL ORDER ONLY.
 TO ORDER USE P/N DLCBS-X-73
 2. ALTERNATE UNITS FOR REFERENCE ONLY.

REV.	DESCRIPTION	ENGR.	DATE
D	SEE CO 200393 FOR CHANGES	SK	07.23.09
C	REDRAWN, SEE ECN #1208 FOR CHANGES	SK	11/29/06
-	SEE ENGINEERING FOR REVISIONS A AND B	---	----

TITLE: DUAL LOCKING CIRCUIT BOARD SUPPORT, TYPE 1				DWG IN IN [MM]		FINAL		PRINT TYPE	
CREATED USING SOLIDWORKS		FILE #: DLCBS1	DWN: SK	APP: RT		PART #		CA	
TOLERANCES UNLESS NOTED XX=±.010 .XXX=±.005 FRAC.=±1/64 ANG.=±1°		SHEET: 1 OF 1	SHEET SIZE: A	DT: 11/22/06	CHKD: SJ	SEE TABLE			
RE: RICHCO, INC.			RICHCO, INC. ENG@RICHCO-INC.COM (773) 539-4060						