



Chipsmall Limited consists of a professional team with an average of over 10 year of expertise in the distribution of electronic components. Based in Hongkong, we have already established firm and mutual-benefit business relationships with customers from,Europe,America and south Asia,supplying obsolete and hard-to-find components to meet their specific needs.

With the principle of "Quality Parts,Customers Priority,Honest Operation,and Considerate Service",our business mainly focus on the distribution of electronic components. Line cards we deal with include Microchip,ALPS,ROHM,Xilinx,Pulse,ON,Everlight and Freescale. Main products comprise IC,Modules,Potentiometer,IC Socket,Relay,Connector.Our parts cover such applications as commercial,industrial, and automotives areas.

We are looking forward to setting up business relationship with you and hope to provide you with the best service and solution. Let us make a better world for our industry!



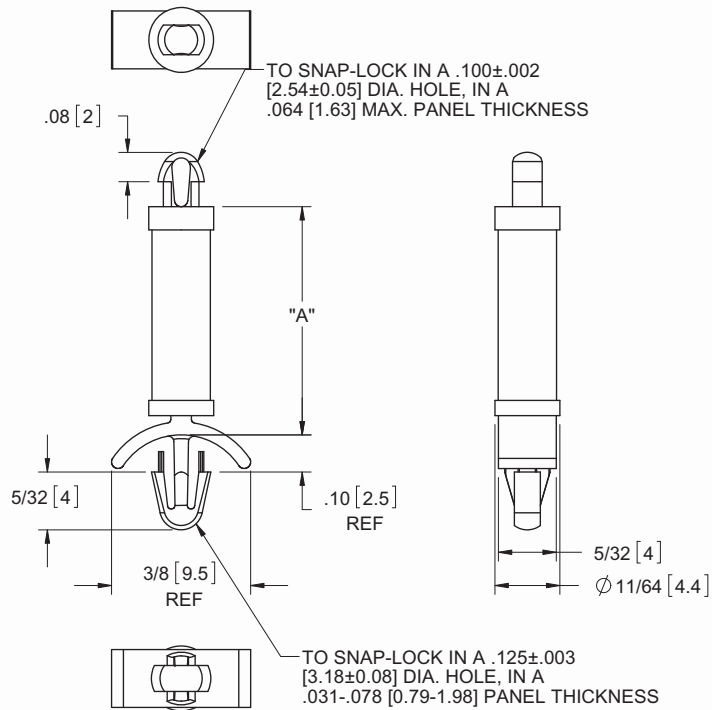
Contact us

Tel: +86-755-8981 8866 Fax: +86-755-8427 6832

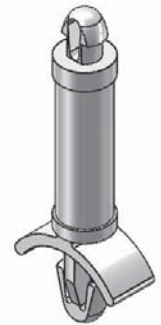
Email & Skype: info@chipsmall.com Web: www.chipsmall.com

Address: A1208, Overseas Decoration Building, #122 Zhenhua RD., Futian, Shenzhen, China





MATERIAL: NYLON 6/6 UL 94 V-2 (RMS-01) COLOR: NATURAL PART NO.	DIM. "A"±.015 [0.4]
DLCBSAT-2-01	1/8 [3.2]
DLCBSAT-3-01	3/16 [4.8]
DLCBSAT-4-01	1/4 [6.4]
DLCBSAT-5-01	5/16 [7.9]
DLCBSAT-6-01	3/8 [9.5]
DLCBSAT-7-01	7/16 [11.1]
DLCBSAT-8-01	1/2 [12.7]
DLCBSAT-9-01	9/16 [14.3]
DLCBSAT-10-01	5/8 [15.9]



NOTES:

1. MATERIAL: NYLON 6/6 UL 94 V-0 (RMS-19), AVAILABLE BY SPECIAL ORDER ONLY.
2. COLOR: NATURAL.
3. ALTERNATE UNITS FOR REFERENCE ONLY.

TITLE: DUAL LOCKING CBS, ARROWHEAD/TEARDROP				
CREATED USING SOLIDWORKS	FILE #: DLCBSAT	DWN: SK	APP: RT	FINAL
TOLERANCES UNLESS NOTED .XX±.010 .XXX±.005 FRAC.=±1/64 ANG.=±1°	SHEET: 1 OF 1 SHEET SIZE: A	DT: 11/27/06	CHKD: SJ	PART #
F SEE CO 200628 FOR CHANGES SK 02/17/11	E REDRAWN, SEE ECN #1208 FOR CHANGES SK 11/29/06	RE: RICHCO, INC.	RICHCO, INC. ENG@RICHCO-INC.COM (773) 539-4060	SEE TABLE
- SEE ENGINEERING FOR REVISIONS A-D	REV. DESCRIPTION ENGR. DATE	PRINT TYPE CA		