



Chipsmall Limited consists of a professional team with an average of over 10 year of expertise in the distribution of electronic components. Based in Hongkong, we have already established firm and mutual-benefit business relationships with customers from,Europe,America and south Asia,supplying obsolete and hard-to-find components to meet their specific needs.

With the principle of “Quality Parts,Customers Priority,Honest Operation,and Considerate Service”,our business mainly focus on the distribution of electronic components. Line cards we deal with include Microchip,ALPS,ROHM,Xilinx,Pulse,ON,Everlight and Freescale. Main products comprise IC,Modules,Potentiometer,IC Socket,Relay,Connector.Our parts cover such applications as commercial,industrial, and automotives areas.

We are looking forward to setting up business relationship with you and hope to provide you with the best service and solution. Let us make a better world for our industry!



Contact us

Tel: +86-755-8981 8866 Fax: +86-755-8427 6832

Email & Skype: info@chipsmall.com Web: www.chipsmall.com

Address: A1208, Overseas Decoration Building, #122 Zhenhua RD., Futian, Shenzhen, China



Daylighting Control Photocell Sensors

DAYLIGHTING CONTROLS

TITLE 24
COMPLIANCE

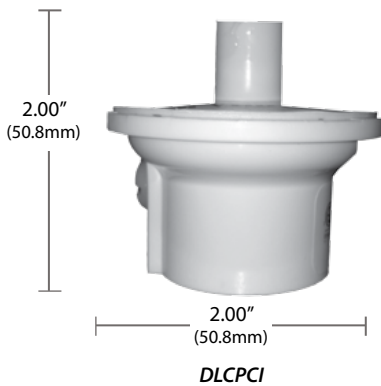


PROJECT INFORMATION

Project Name _____

Catalog No. _____

Date _____



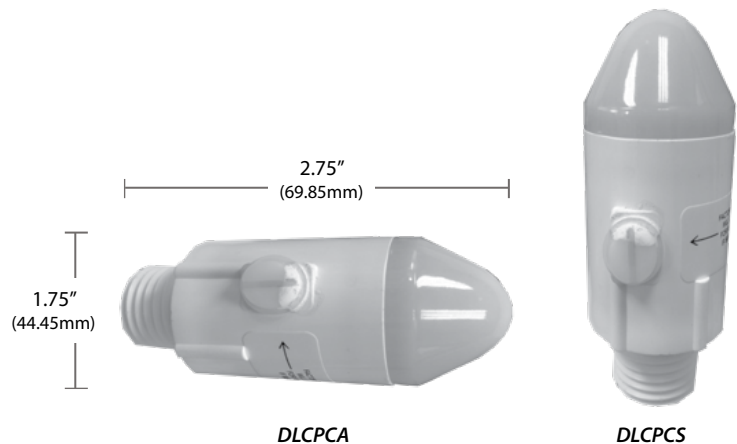
Correct orientation shown

Our daylighting control photocell sensors (DLCPCI, DLCPCO, DLCPCA and DLCPCS) provide indoor, outdoor, or skylight control of lighting circuits based on natural daylight. The DLCPC sensors and controller are able to provide coverage for any application. The DLCPC sensors are used in different locations in and around a building. Indoor sensors are used in offices and classrooms. Outdoor sensors detect light for sign and site illumination control. Atrium sensors measure light in lobbies. Skylight sensors read the ambient light available in warehouse skylights.

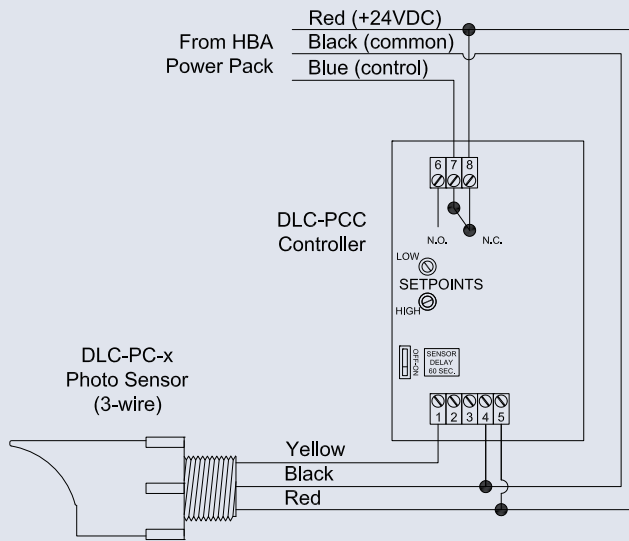
Each sensor has a different range and focus of the light being measured. The sensor sensitivity is adjustable. Model measurements ranges include 750, 2,500 or 7,500FC. The indoor sensor has a flat Fresnel lens that looks downward in a 60-degree cone of reference to measure actual light on the work surface. The outdoor sensor is enclosed in a weatherproof housing with a visor for shading and lens protection. The Atrium and Skylight sensors both use diffusing dome lenses to provide a 180-degree angle of photodiode response.

PRODUCT FEATURES

- Multiple sensor options available
- Interfaces with Energy Management Systems
- Five-year limited warranty
- Low voltage device: 24 Vdc



Correct orientation shown



General Specifications

Time Response	Fixed 10 second Full Range															
Tolerance	Repeatability: +/- 0.5% Linearity: 2% Temperature: +/- 10%															
Operating Temperature	-40°F to 140°F (-40°C to 60°C)															
Sensor Type	Blue-enhanced photo diode															
Sensor Ranges	<table border="0"> <tr> <td>Housing</td> <td>Minimum</td> <td>Maximum</td> </tr> <tr> <td>DLCPCI Indoor</td> <td>0FC</td> <td>100FC</td> </tr> <tr> <td>DLCPCO Outdoor</td> <td>0FC</td> <td>250FC</td> </tr> <tr> <td>DLCPCA Atrium</td> <td>2FC</td> <td>1,000FC</td> </tr> <tr> <td>DLCPCS Skylight</td> <td>10FC</td> <td>2,000FC</td> </tr> </table>	Housing	Minimum	Maximum	DLCPCI Indoor	0FC	100FC	DLCPCO Outdoor	0FC	250FC	DLCPCA Atrium	2FC	1,000FC	DLCPCS Skylight	10FC	2,000FC
Housing	Minimum	Maximum														
DLCPCI Indoor	0FC	100FC														
DLCPCO Outdoor	0FC	250FC														
DLCPCA Atrium	2FC	1,000FC														
DLCPCS Skylight	10FC	2,000FC														
Input Voltage	24VDC															
Output Voltage	10V full output															
Output Offset	0VDC or 1VDC - total darkness															
Wiring	Three conductors 18-gauge standard cable Red: Pos. DC input Black: DC common Yellow: Output to EMS															
Certifications	ETL/UL 916 Listed Title 24 Listed RoHS compliant															
Warranty	Five-year limited															

Ordering Information

MODEL

DLCPCI	Indoor Photocell Sensor, 0-100FC
DLCPCO	Outdoor Photocell Sensor, 0-250FC
DLCPCA	Atrium Photocell Sensor, 2-1000FC
DLCPCS	Skylight Photocell Sensor, 10-2000FC



HUBBELL
Control Solutions