



Chipsmall Limited consists of a professional team with an average of over 10 year of expertise in the distribution of electronic components. Based in Hongkong, we have already established firm and mutual-benefit business relationships with customers from,Europe,America and south Asia,supplying obsolete and hard-to-find components to meet their specific needs.

With the principle of “Quality Parts,Customers Priority,Honest Operation,and Considerate Service”,our business mainly focus on the distribution of electronic components. Line cards we deal with include Microchip,ALPS,ROHM,Xilinx,Pulse,ON,Everlight and Freescale. Main products comprise IC,Modules,Potentiometer,IC Socket,Relay,Connector.Our parts cover such applications as commercial,industrial, and automotives areas.

We are looking forward to setting up business relationship with you and hope to provide you with the best service and solution. Let us make a better world for our industry!



Contact us

Tel: +86-755-8981 8866 Fax: +86-755-8427 6832

Email & Skype: info@chipsmall.com Web: www.chipsmall.com

Address: A1208, Overseas Decoration Building, #122 Zhenhua RD., Futian, Shenzhen, China



Linear/Saturating Choke



Description

- Linear/saturating choke
- Flexible wire
- Low noise development by using iron powder toroids instead of conventional iron lamination cores
- Fully potted resin

Standards

- EN 60938

Applications

- Phase angle control circuits with thyristors, triacs or transistors
- The choke acts at its optimum when it is mounted directly at the interference originator (thyristor, triac)

Weblinks

[pdf datasheet](#), [html-datasheet](#), [General Product Information](#), [Approvals](#), [CE declaration of conformity](#), [RoHS](#), [CHINA-RoHS](#), [REACH](#), [Distributor-Stock-Check](#), [Detailed request for product](#)

Technical Data

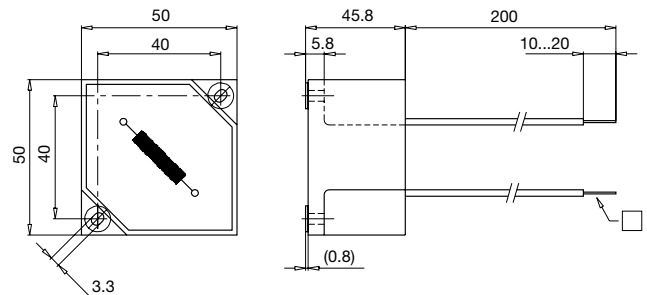
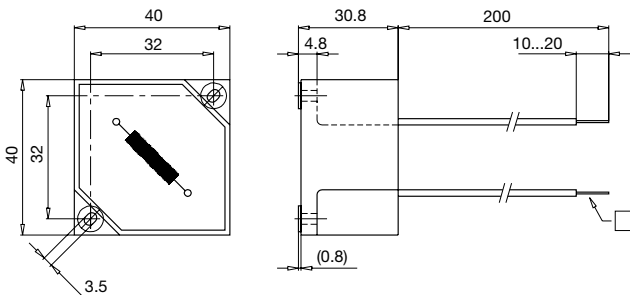
Rated voltage	up to 440VAC	Isolation Voltage	2 kV eff., winding to ambient
Rated Current	5 - 45 A @ Ta 45 °C	Climatic Category	25/100/21 acc. to IEC 60068-1
Power Operating Frequency	50Hz	Allowable Operation Temp.	-25 °C to 100 °C
Terminal Type	THT, Flexible wire		
Weight	149 - 1423g		
Material: Housing	UL 94V-0		
Sealing Compound	UL 94V-0		

Detailed information on product approvals, code requirements, usage instructions and detailed test conditions can be looked up in [General Product Information](#)

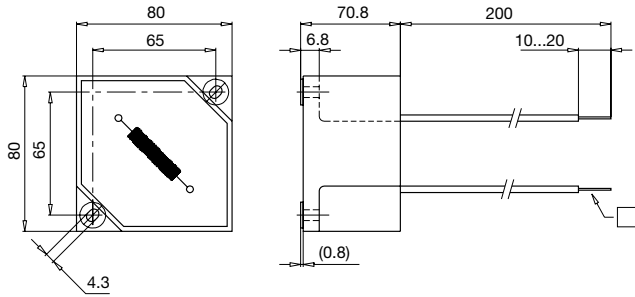
Dimension

Case 25W

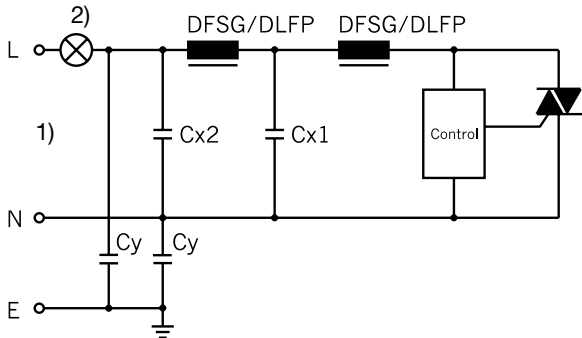
Case 47W



Case 32W

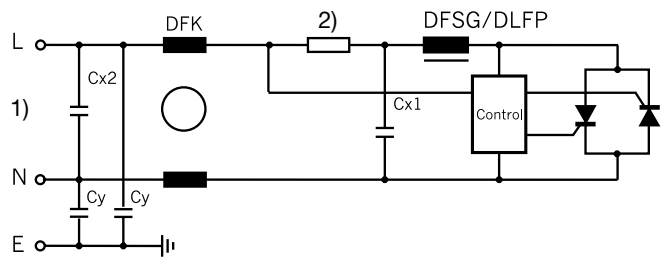


Diagrams



Interference suppression with resistive load, 2-phase

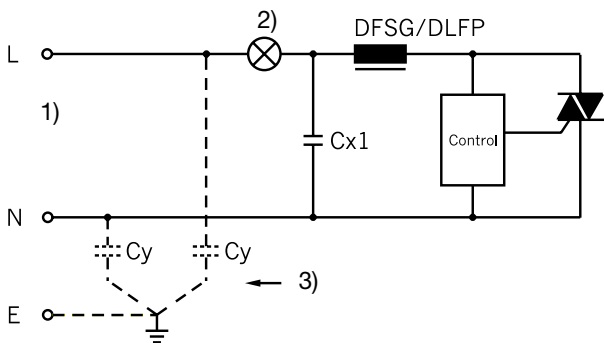
- 1) Line
- 2) Load



Interference suppression with resistive load, 2-stage

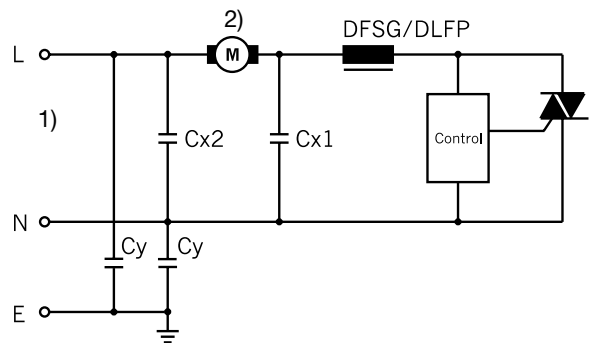
DFSG: Radio interference suppression saturation choke
DFK: Radio interference suppression choke magnetically condensated

- 1) Line
- 2) Load



Interference suppression with resistive load, < 10A, e.g. dimmers circuit (DFSG)

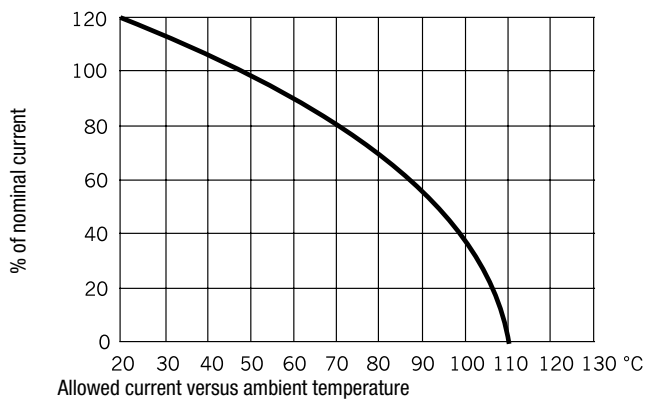
- 1) Line
- 2) Load
- 3) only to protection class I



Interference suppression with inductive load

- 1) Line
- 2) Load

Derating Curves



All Variants

I_n [A]	L_n [mH]	Inductance drop max [%]	R_{cu} [mΩ]	Tripped Power Dissipation	f_{RES} [MHz]	Cx [μF]	Copper ø [mm]	Weight [g]	Housings	Packing unit [pcs.]	Order Number
5	1	60	120	3	0.8	0.047	1	149g	25W	10	DLFP-0125-0501
8	0.5	60	54	3.5	1.32	0.1	1.25	150g	25W	10	DLFP-0125-08D5
45	0.2	70	6	12	1.1	1	5	1423g	32W	2	DLFP-0132-45D2
12	0.5	60	38	5.5	1.16	0.1	1.7	350g	47W	6	DLFP-0147-12D5
16	0.3	60	25	6.4	1.69	0.22	1.8	320g	47W	6	DLFP-0147-16D3
25	0.15	60	10	6.3	2.5	0.47	2.36	350g	47W	6	DLFP-0147-25D2
35	0.05	60	5.3	6.5	3.5	1.5	1.5 x 4.5	338g	47W	6	DLFP-0147-35C5

Most Popular.

Availability for all products can be searched real-time: <http://www.schurter.com/en/Stock-Check/Stock-Check-SCHURTER>

Inductance drop at I_n