



Chipsmall Limited consists of a professional team with an average of over 10 year of expertise in the distribution of electronic components. Based in Hongkong, we have already established firm and mutual-benefit business relationships with customers from,Europe,America and south Asia,supplying obsolete and hard-to-find components to meet their specific needs.

With the principle of “Quality Parts,Customers Priority,Honest Operation,and Considerate Service”,our business mainly focus on the distribution of electronic components. Line cards we deal with include Microchip,ALPS,ROHM,Xilinx,Pulse,ON,Everlight and Freescale. Main products comprise IC,Modules,Potentiometer,IC Socket,Relay,Connector.Our parts cover such applications as commercial,industrial, and automotives areas.

We are looking forward to setting up business relationship with you and hope to provide you with the best service and solution. Let us make a better world for our industry!



## Contact us

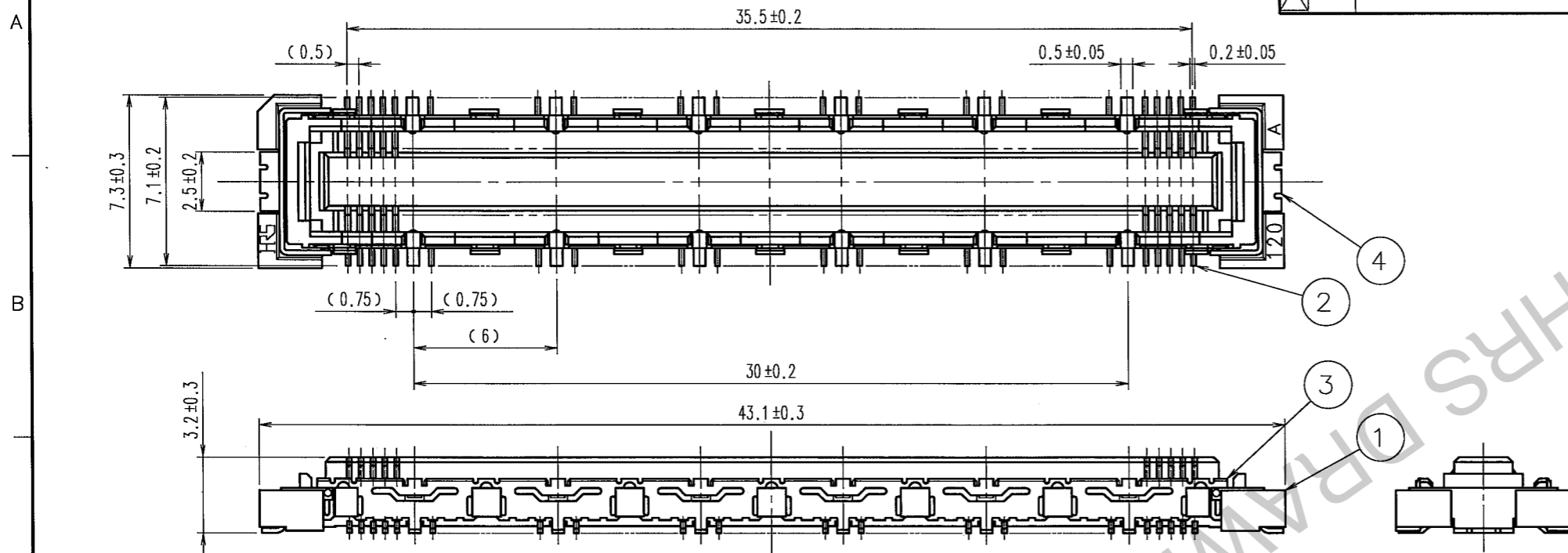
Tel: +86-755-8981 8866 Fax: +86-755-8427 6832

Email & Skype: info@chipsmall.com Web: www.chipsmall.com

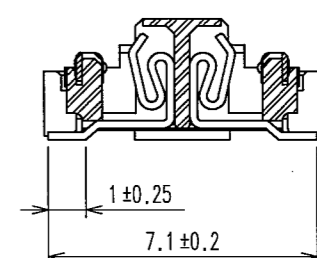
Address: A1208, Overseas Decoration Building, #122 Zhenhua RD., Futian, Shenzhen, China



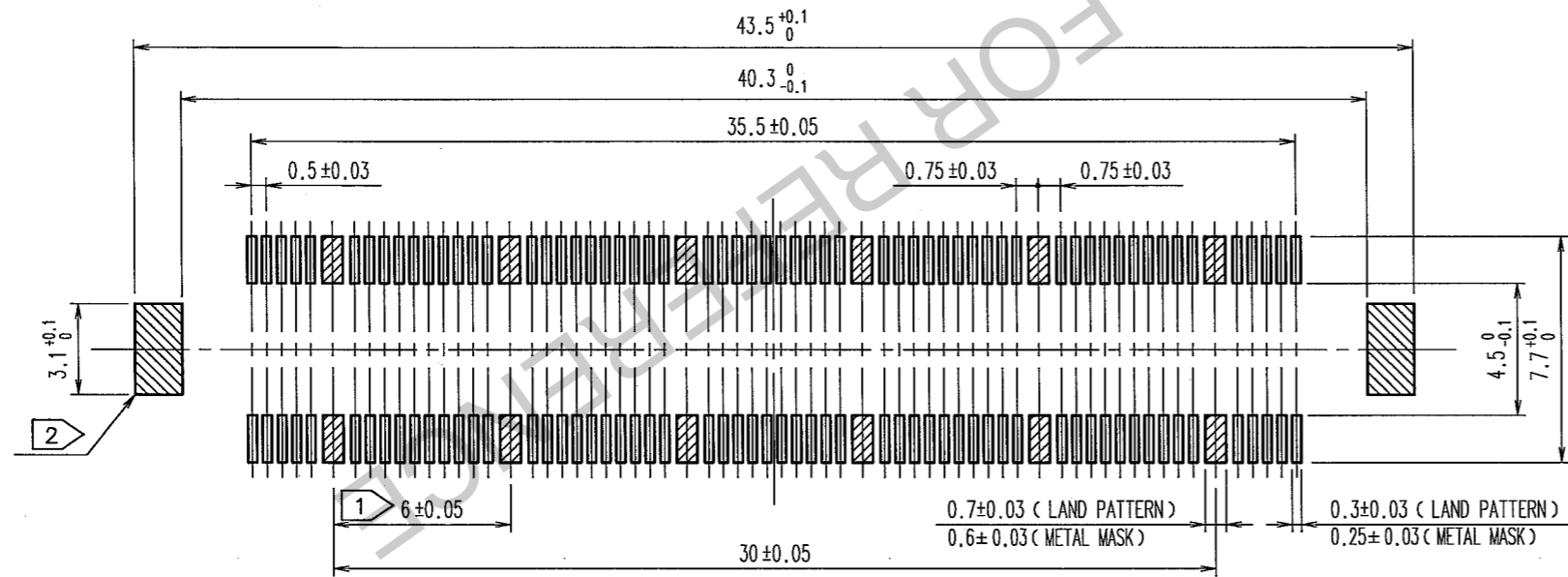
COUNT	DESCRIPTION OF REVISIONS	BY	CHKD	DATE	COUNT	DESCRIPTION OF REVISIONS	BY	CHKD	DATE
△				..	△				..
△				..	△				..
△				..	△				..



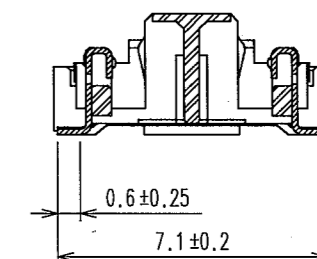
CROSS CUT SECTION - SIGNAL (5 : 1)



RECOMMENDED LAND PATTERN DIMENSION OF PCB



CROSS CUT SECTION - GROUND (5 : 1)



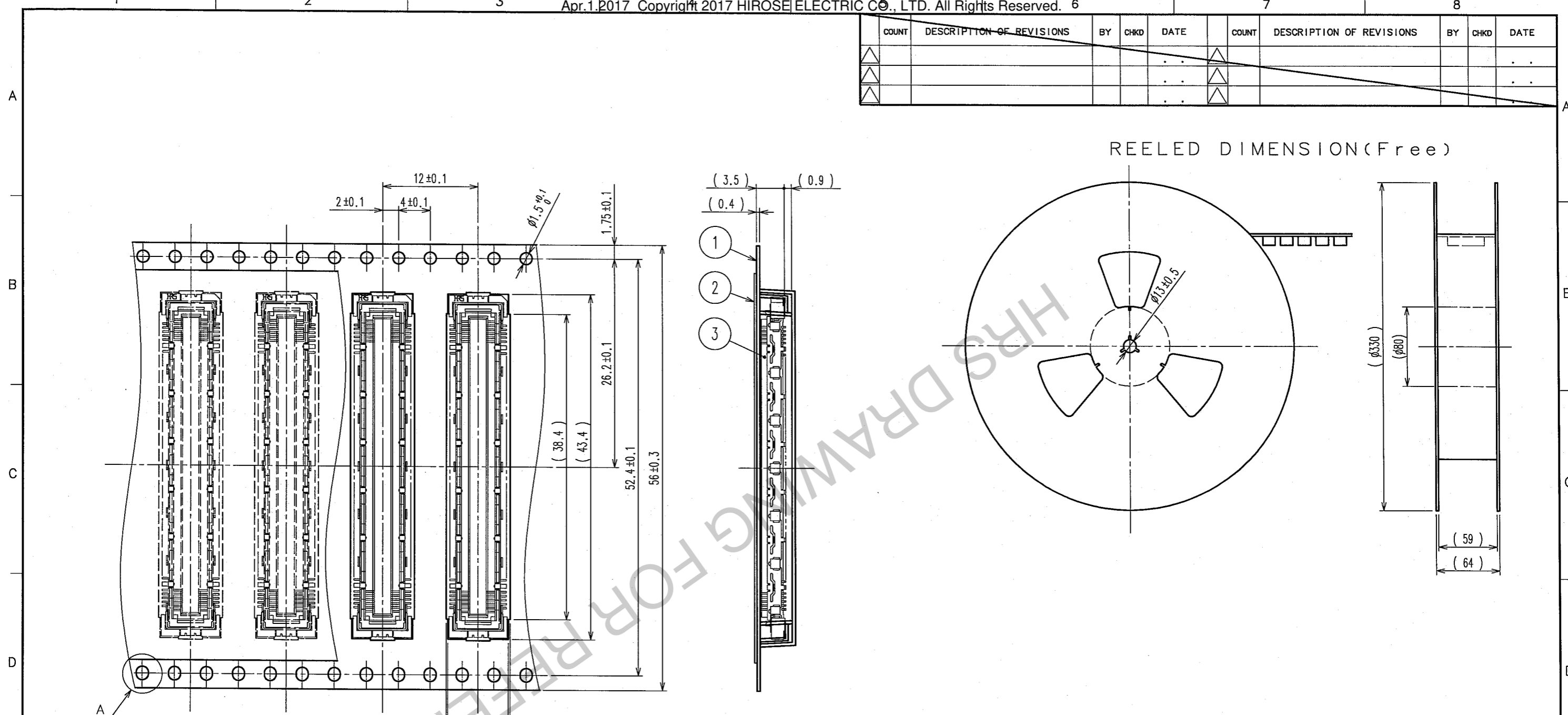
- NOTES
- ① 12 HATCHED PARTS:GROUND CIRCUIT.
  - ② 2 HATCHED PARTS:GROUND CIRCUIT.
  - 3 SMT LEAD-COPLANARITY:0.1 MAX.
  - 4 THIS PRODUCT HAS NO POLARITY TO PATTERN FOR MOUNTING.
  - 5 EMBOSS CARRIER TAPE PACKAGE IS APPLIED ON THIS PRODUCT. PLEASE REFER TO THE SHEET 2/2 FOR THE DETAILS.
  - 6 THE DIMENSIONS IN PARENTHESES ARE FOR REFERENCE.

4	PHOSPHOR BRONZE	TIN PLATING
3	PHOSPHOR BRONZE	TIN PLATING
2	PHOSPHOR BRONZE	CONTACT AREA : GOLD 0.1μ m min.
		LEAD AREA : GOLD FLASH
		UNDER PLATING : NICKEL 1μ m min.
NO.	MATERIAL	FINISH, REMARKS

1	LCP	BEIGE	UL94V-0					
NO.	MATERIAL	FINISH, REMARKS		NO.	MATERIAL	FINISH, REMARKS		
CODE NO. (OLD) CL				DRAWN	DESIGNED	CHECKED	APPROVED	RELEASED
				<i>K. Doi</i>	<i>K. Doi</i>	<i>C. Ogawa</i>	<i>H. Okawa</i>	
				'05.09.02	'05.09.02	'05.09.02	'05.09.02	
DRAWING NO. EDC3-151982-21				PART NO. FX10B-120S/12-SV(91)				
SCALE 4 : 1				CODE NO. CL570-0223-7-91				
UNITS mm				HIROSE ELECTRIC CO., LTD.				

TO  
PCK

COUNT	DESCRIPTION OF REVISIONS	BY	CHKD	DATE	COUNT	DESCRIPTION OF REVISIONS	BY	CHKD	DATE



- NOTES
- 1 REEL:1000 CONNECTORS.
  - 2 MINIMUM 10 COMPARTMENTS FROM BOTH REEL ENDS REMAIN EMPTY.
  - 3 THIS PRODUCT HAS NO POLARITY TO TAPE AND REEL PACKAGING.
  - 4 THE DIMENSIONS IN PARENTHESES ARE FOR REFERENCE.

NO.	MATERIAL	FINISH, REMARKS	NO.	MATERIAL	FINISH, REMARKS
2	POLYESTER	TOP COVER TAPE	3	(CONNECTOR)	
1	POLYSTYRENE	EMBOSSED CARRIER TAPE			

CODE NO. (OLD) CL	DRAWN K. Doi '05.09.02	DESIGNED K. Doi '05.09.02	CHECKED K. Ogawa '05.09.02	APPROVED H. Okawa '05.09.02	RELEASED
DRAWING NO. EDC3-151982-21		PART NO. FX10B-120S/12-SV(91)			
SCALE 2 : 1	DRAWING NO. EDC3-151982-21		PART NO. FX10B-120S/12-SV(91)		
UNITS mm	HRS HIROSE ELECTRIC CO., LTD		CODE NO. CL570-0223-7-91		2

TO  
PCK