



Chipsmall Limited consists of a professional team with an average of over 10 year of expertise in the distribution of electronic components. Based in Hongkong, we have already established firm and mutual-benefit business relationships with customers from,Europe,America and south Asia,supplying obsolete and hard-to-find components to meet their specific needs.

With the principle of “Quality Parts,Customers Priority,Honest Operation,and Considerate Service”,our business mainly focus on the distribution of electronic components. Line cards we deal with include Microchip,ALPS,ROHM,Xilinx,Pulse,ON,Everlight and Freescale. Main products comprise IC,Modules,Potentiometer,IC Socket,Relay,Connector.Our parts cover such applications as commercial,industrial, and automotives areas.

We are looking forward to setting up business relationship with you and hope to provide you with the best service and solution. Let us make a better world for our industry!



Contact us

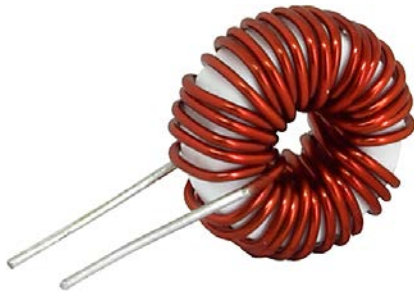
Tel: +86-755-8981 8866 Fax: +86-755-8427 6832

Email & Skype: info@chipsmall.com Web: www.chipsmall.com

Address: A1208, Overseas Decoration Building, #122 Zhenhua RD., Futian, Shenzhen, China



Linear Choke, open version, without socket



Description

- Linear choke
- Wire leads
- Open version without socket and chassis

Standards

- EN 60938

Applications

- Smoothing RFI suppression choke
- RFI suppression choke
- Chopper amplifiers
- DC drives and stepper motor controls
- Switching power supplies

Weblinks

[pdf datasheet](#), [html-datasheet](#), [General Product Information](#), [Approvals](#), [CE declaration of conformity](#), [RoHS](#), [CHINA-RoHS](#), [REACH](#), [Distributor-Stock-Check](#), [Detailed request for product](#)

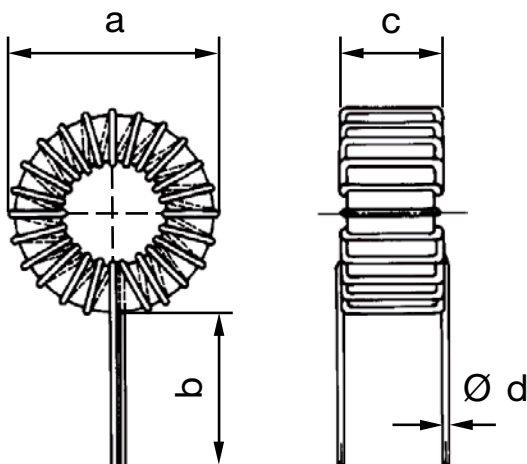
Technical Data

	to 600VDC
Rated Current	0.45 - 7 A @ Ta 70 °C
Rated inductance	0.02 - 5 mH, Tol. ±15%
Power Operating Frequency	up to 20kHz
Terminal Type	Wire leads
Weight	10 - 12g

Isolation Voltage	2 kV eff., winding to ambient
Climatic Category	40/125/21 acc. to IEC 60068-1
Allowable Operation Temp.	-40°C to 125°C

Detailed information on product approvals, code requirements, usage instructions and detailed test conditions can be looked up in [General Product Information](#)

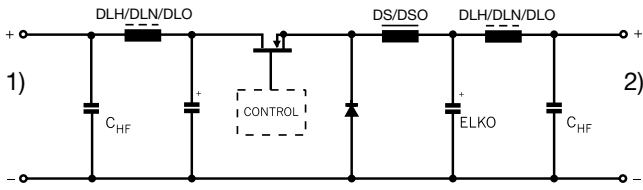
Dimension



Dimensions: see table of variants

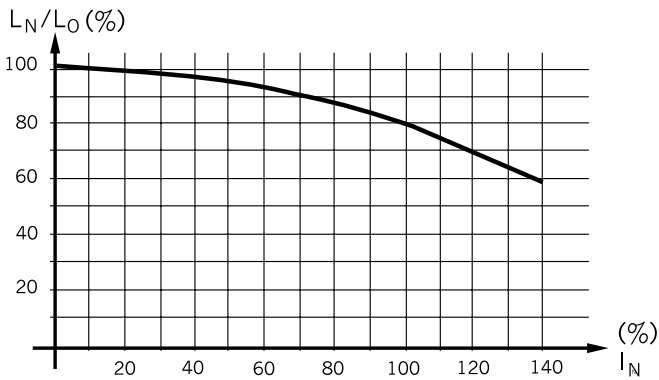
Diagrams

Application in DC-DC Converter



- 1) DC-Input unregulated
- 2) DC-Output regulated

Derating Curves



Inductance variation as function of the magnetizing current

All Variants

I _n [A]	L _n [mH]	R _{cu} [mΩ]	f _{RES} [MHz]	Inductance drop max [%]	A [mm]	B [mm]	C [mm]	D [mm]	Weight [g]	Packing unit [pcs.]	Order Number
0.45	5	3000	0.3	20	20 mm	15 mm	10 mm		10 g	200	DL01-24-0008
0.6	3	1550	0.4	20	20 mm	36 mm	10 mm		11 g	200	DL01-24-0007
1.0	1	600	0.8	20	20 mm	15 mm	10 mm		10 g	200	DL01-24-0006
1.5	0.5	280	1.3	20	20 mm	15 mm	10 mm		10 g	200	DL01-24-0005
1.8	0.3	178	2	20	20 mm	15 mm	10 mm		10 g	200	DL01-24-0004
3	0.1	70	8.2	20	20 mm	36 mm	10 mm		10 g	200	DL01-24-0003
4.5	0.05	26	8.4	20	20 mm	15 mm	10 mm	0.9 mm	11 g	200	DL01-24-0002
7	0.02	12	20.2	20	20 mm	36 mm	10 mm	1.2 mm	12 g	150	DL01-24-0001

R_{cu} at T_u 20°C
Inductance drop at I_n
Derating at T_u >70°C: I = I_n × ((125-T_u)/55)^{0.5}

Availability for all products can be searched real-time: <http://www.schurter.com/en/Stock-Check/Stock-Check-SCHURTER>