



Chipsmall Limited consists of a professional team with an average of over 10 year of expertise in the distribution of electronic components. Based in Hongkong, we have already established firm and mutual-benefit business relationships with customers from,Europe,America and south Asia,supplying obsolete and hard-to-find components to meet their specific needs.

With the principle of “Quality Parts,Customers Priority,Honest Operation,and Considerate Service”,our business mainly focus on the distribution of electronic components. Line cards we deal with include Microchip,ALPS,ROHM,Xilinx,Pulse,ON,Everlight and Freescale. Main products comprise IC,Modules,Potentiometer,IC Socket,Relay,Connector.Our parts cover such applications as commercial,industrial, and automotives areas.

We are looking forward to setting up business relationship with you and hope to provide you with the best service and solution. Let us make a better world for our industry!



Contact us

Tel: +86-755-8981 8866 Fax: +86-755-8427 6832

Email & Skype: info@chipsmall.com Web: www.chipsmall.com

Address: A1208, Overseas Decoration Building, #122 Zhenhua RD., Futian, Shenzhen, China



Power Supply Parallel or Redundancy Module

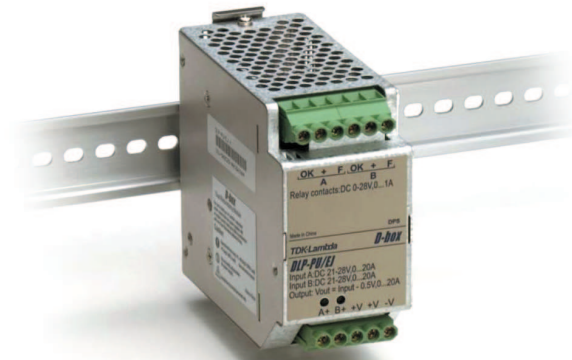
Features

- ◆ OR-ing Diodes Included
- ◆ Alarm Signals
- ◆ LED Indicators
- ◆ DIN Rail Mounting
- ◆ Can connect two units in parallel
- ◆ Output voltage monitoring (via relays)

Key Market Segments & Applications



Industrial



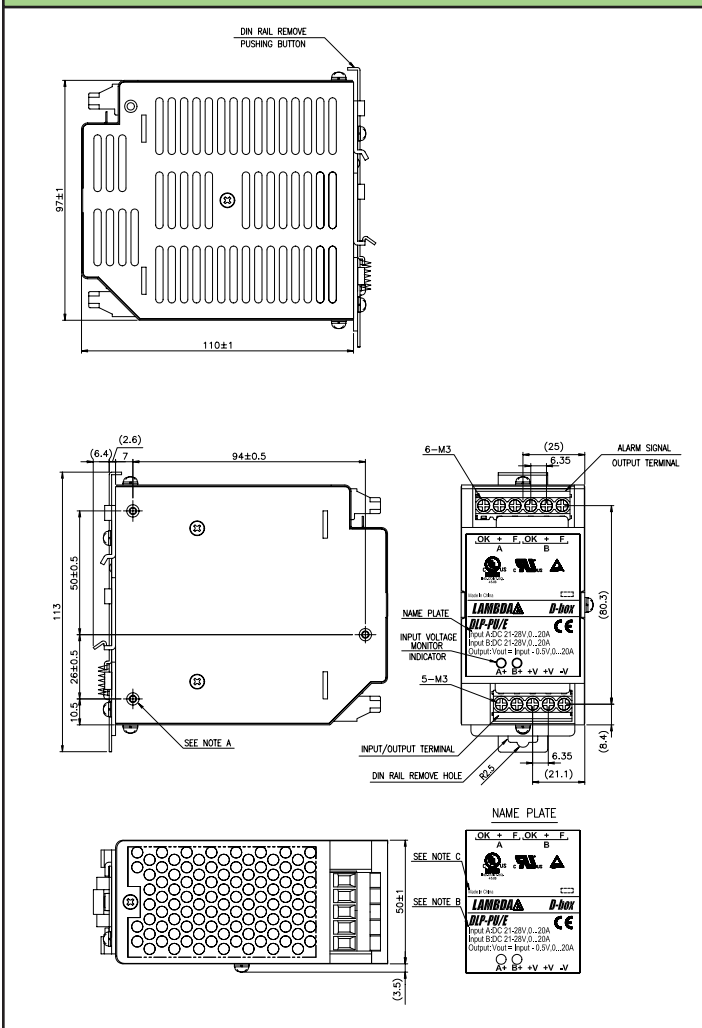
RoHS

Specifications

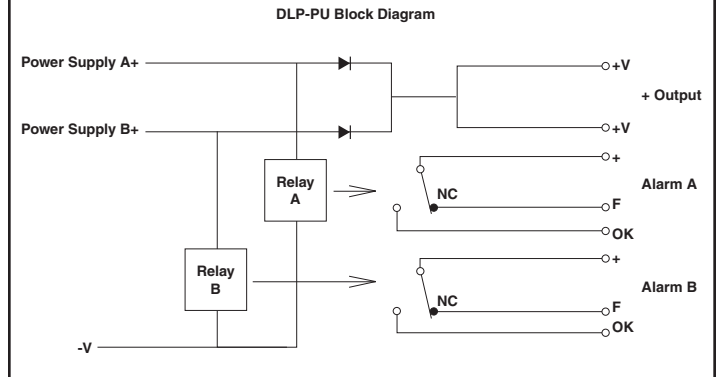
Model		DLP-PU/E
Input Voltage Range	VDC	21 - 28VDC
Number of inputs	-	Two
Maximum Input Current	A	20A per input
Maximum Output Current	A	20A
Overcurrent protection	-	None
Voltage Drop	VDC	0.5V
Maximum Reverse Voltage	VDC	35VDC
LED Indicators	-	Two green LEDs indicating each input is "good"
Input Voltage Alarm	-	Relay off when input is <19.2V (±1%) or > 30V (±5%). NO and NC contacts
Relay contact rating (max)	-	28VDC, 1A or 120VAC, 0.5A (5mA minimum recommended)
Cooling	-	Convection
Operating Temperature	-	-10 to +70°C, derate linearly to 60% from 60 to 70°C
Storage Temperature	-	-30 to +90°C
Humidity	-	Operating: 30 - 90%RH, Storage: 10 - 95%RH (non condensing)
Withstand Voltage	-	Input or Output - Chassis, Input or Output - Relay Contacts, Relay Contacts to Chassis; 500VAC for 1 min.
Isolation Resistance	-	Input or Output - Chassis, Input or Output - Relay Contacts, Relay Contacts to Chassis; >10M Ohms at 25°C, 70%RH and 500VDC
Vibration	-	Non operating, mounted on DIN Rail, 10-55Hz (sweep for 1 min), 9.8m/s ² constant X, Y, Z each for 1 hour
Shock	-	196m/s ²
Safety Agency Approval	-	UL60950-1, CSA60950-1, EN60950-1, UL508, CSA22.2 No.14, EN60529 IP20, EN50178 Cat 1
Size	mm/in	50 x 97 x 110mm, 1.97x 3.81 x 4.33"
Weight	g	470g
Warranty	yrs	Three Years

Note: See Installation Manual for full details, test methods of parameters and application notes

Outline Drawings



Block Diagram



Other Industrial Products

DLP	75W to 240W power supplies
DPP/DSP	10W to 480W low cost power supplies
R Series	3A to 30A single & three phase EMI Filters

Snap-on Mounting: snap onto DIN Rail TS35/7.5 or TS35/15. (no tools required)

For Additional Information, please visit us.tdk-lambda.com/lp/products/dlp-series.htm

