



Chipsmall Limited consists of a professional team with an average of over 10 year of expertise in the distribution of electronic components. Based in Hongkong, we have already established firm and mutual-benefit business relationships with customers from,Europe,America and south Asia,supplying obsolete and hard-to-find components to meet their specific needs.

With the principle of "Quality Parts,Customers Priority,Honest Operation,and Considerate Service",our business mainly focus on the distribution of electronic components. Line cards we deal with include Microchip,ALPS,ROHM,Xilinx,Pulse,ON,Everlight and Freescale. Main products comprise IC,Modules,Potentiometer,IC Socket,Relay,Connector.Our parts cover such applications as commercial,industrial, and automotives areas.

We are looking forward to setting up business relationship with you and hope to provide you with the best service and solution. Let us make a better world for our industry!



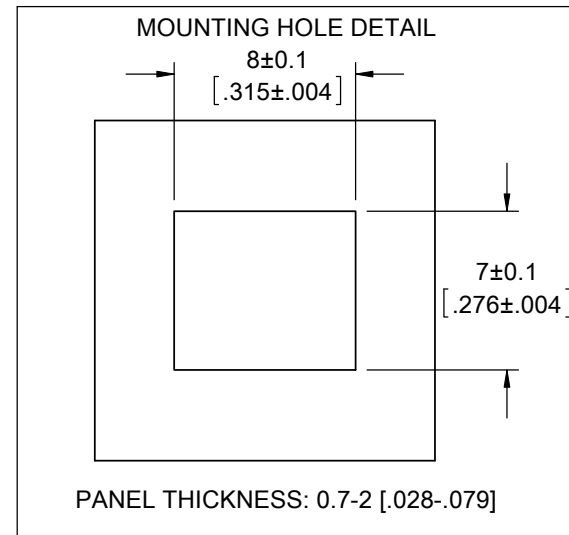
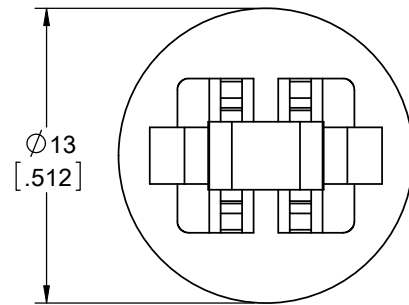
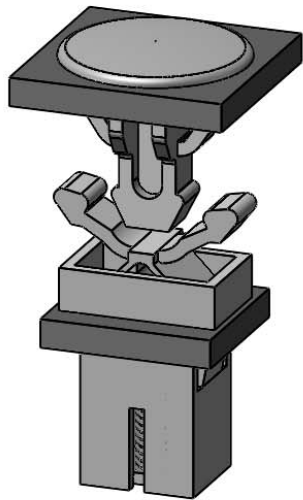
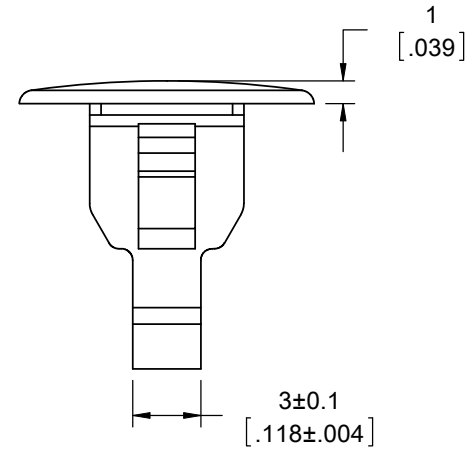
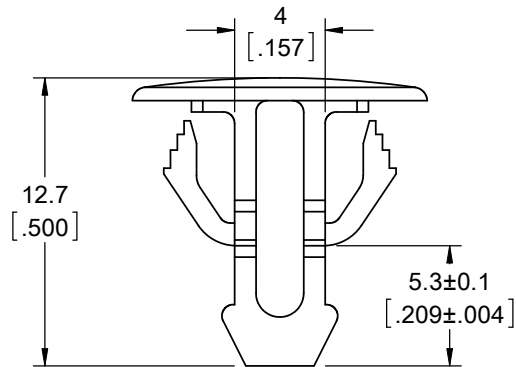
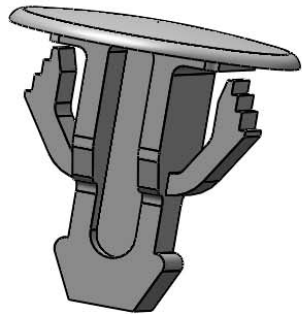
Contact us

Tel: +86-755-8981 8866 Fax: +86-755-8427 6832

Email & Skype: info@chipsmall.com Web: www.chipsmall.com

Address: A1208, Overseas Decoration Building, #122 Zhenhua RD., Futian, Shenzhen, China





APPLICATION

NOTES:

1. MATERIAL: ACETAL UL 94 HB (RMS-14)
2. COLOR: BLACK.
COLOR WHITE AVAILABLE BY SPECIAL ORDER ONLY.
TO ORDER USE P/N: DLS-1WH
3. TO SNAP-LOCK IN AN INDICATED HOLE.
4. ALTERNATE UNITS FOR REFERENCE ONLY.

TITLE: DOOR LATCH STRIKER		DWG IN mm		FINAL	
CREATED USING SOLIDWORKS	FILE #: DLS-1	DWN: SK	APP: SK	PART #	
GENERAL TOLERANCE UNLESS OTHERWISE NOTED	SHEET: 1 OF 1	SHEET SIZE: A	DT: 07/11/07	CHKD: D.Z.	PRINT TYPE
NOTED ±0.25 ANG. ±1°	RE: RICHCO INC.	RICHCO, INC. ENG@RICHCO-INC.COM (773) 539-4060		DLS-1	CA
REV.	DESCRIPTION	ENGR.	DATE		

D	CO 200365 FOR CHANGES	SK	05/19/09
C	CO 200352 FOR CHANGES	SK	04/08/09
B	SEE CO 200232 FOR CHANGES	SK	08/22/08
A	RELEASED FOR PRODUCTION	SK	08/03/07
REV.	DESCRIPTION	ENGR.	DATE