



Chipsmall Limited consists of a professional team with an average of over 10 year of expertise in the distribution of electronic components. Based in Hongkong, we have already established firm and mutual-benefit business relationships with customers from,Europe,America and south Asia,supplying obsolete and hard-to-find components to meet their specific needs.

With the principle of “Quality Parts,Customers Priority,Honest Operation,and Considerate Service”,our business mainly focus on the distribution of electronic components. Line cards we deal with include Microchip,ALPS,ROHM,Xilinx,Pulse,ON,Everlight and Freescale. Main products comprise IC,Modules,Potentiometer,IC Socket,Relay,Connector.Our parts cover such applications as commercial,industrial, and automotives areas.

We are looking forward to setting up business relationship with you and hope to provide you with the best service and solution. Let us make a better world for our industry!



Contact us

Tel: +86-755-8981 8866 Fax: +86-755-8427 6832

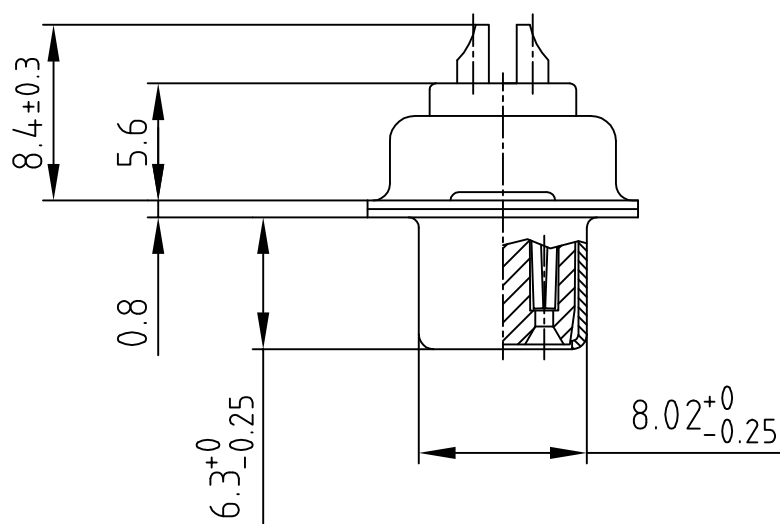
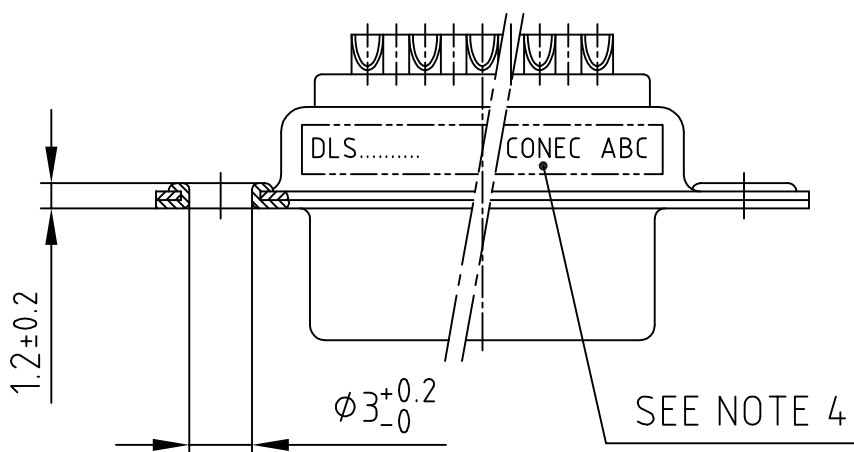
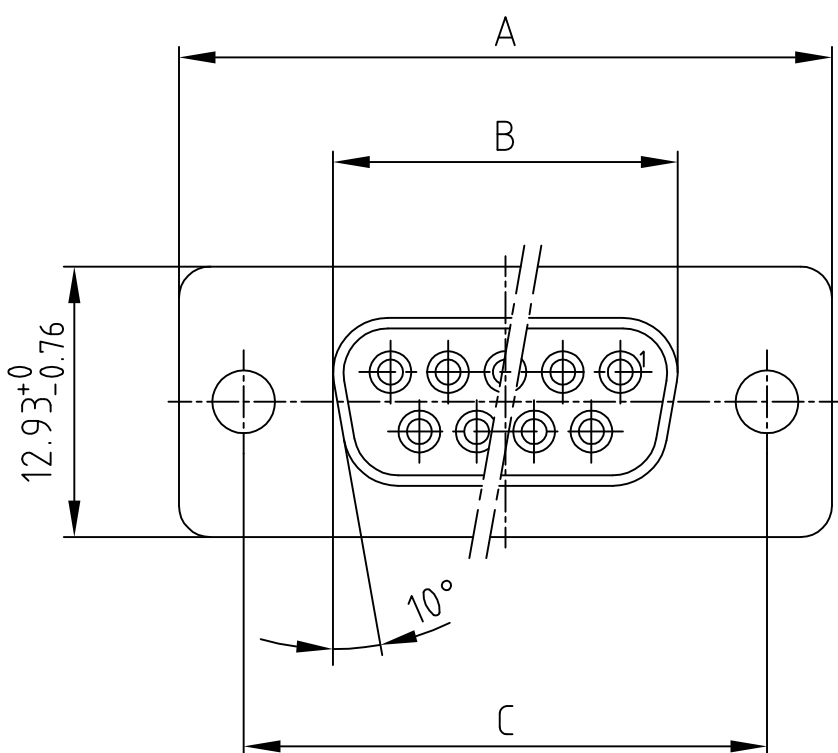
Email & Skype: info@chipsmall.com Web: www.chipsmall.com

Address: A1208, Overseas Decoration Building, #122 Zhenhua RD., Futian, Shenzhen, China



used for: D-SUB

POS.	A -0.76	B -0.25	C	Part-No.
9	31.19	16.46	25.00 $^{+0.12}_{-0.13}$	DLS1XS1AD01X
15	39.52	24.79	33.30 $^{+0.15}_{-0.1}$	DLS2XS1AD01X
25	53.42	38.50	47.04 ± 0.13	DLS3XS1AD01X
37	69.70	54.96	63.50 ± 0.13	DLS4XS1AD01X



NOTES:

- METALSHELLS: STEEL; min. 315µin TIN over 40-80µin NICKEL
- INSULATORS: PBT GF UL 94 V-0; BLACK
- CONTACTS: COPPER ALLOY
PLATING: GOLD FLASH over NICKEL
SOLDER CUP ACCEPTS CABLE AWG 20
- CONNECTOR IS PART MARKED: PART-NO. CONEC ABC

Directive 2002/95/EC RoHS compliant

THIS DRAWING MAY NOT BE COPIED OR REPRODUCED IN ANY WAY, AND MAY NOT BE PASSED ON TO A THIRD PARTY WITHOUT WRITTEN PERMISSION.
 OWNERSHIP AND COPYRIGHT OF CONEC GmbH
 DO NOT ALTER CAD DRAWING BY HAND

				tolerance		dim. in mm
rev.	description	date	name			
				2012	date	name
				drawn	06.01.	Lehmenkühler
				appd.	06.01.	Fischer
				norm		
				d-old		
a	Original			CONEC®		

scale:	2:1	
material:	SEE NOTES	
title:	D-SUB FEMALE 9-37pos. SOLDER CUP with stamped contacts	
dwg no:	16K1A3006	DIN-A 4
part no:	SEE TABLE	
		sh: 1/1