



Chipsmall Limited consists of a professional team with an average of over 10 year of expertise in the distribution of electronic components. Based in Hongkong, we have already established firm and mutual-benefit business relationships with customers from,Europe,America and south Asia,supplying obsolete and hard-to-find components to meet their specific needs.

With the principle of “Quality Parts,Customers Priority,Honest Operation,and Considerate Service”,our business mainly focus on the distribution of electronic components. Line cards we deal with include Microchip,ALPS,ROHM,Xilinx,Pulse,ON,Everlight and Freescale. Main products comprise IC,Modules,Potentiometer,IC Socket,Relay,Connector.Our parts cover such applications as commercial,industrial, and automotives areas.

We are looking forward to setting up business relationship with you and hope to provide you with the best service and solution. Let us make a better world for our industry!



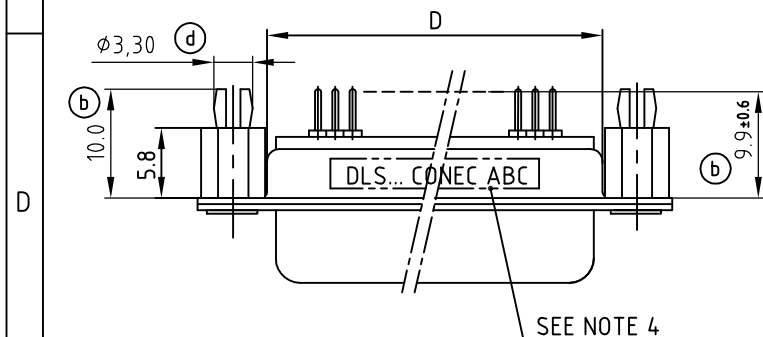
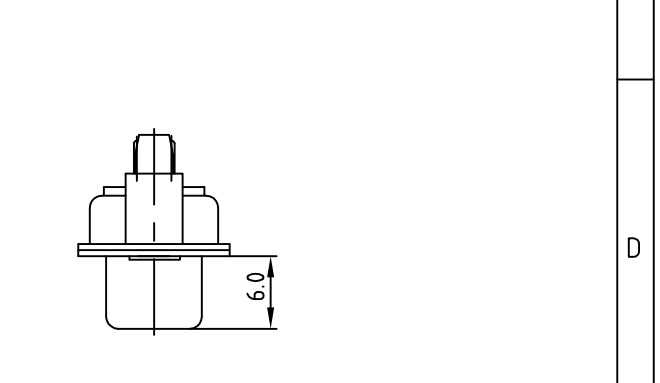
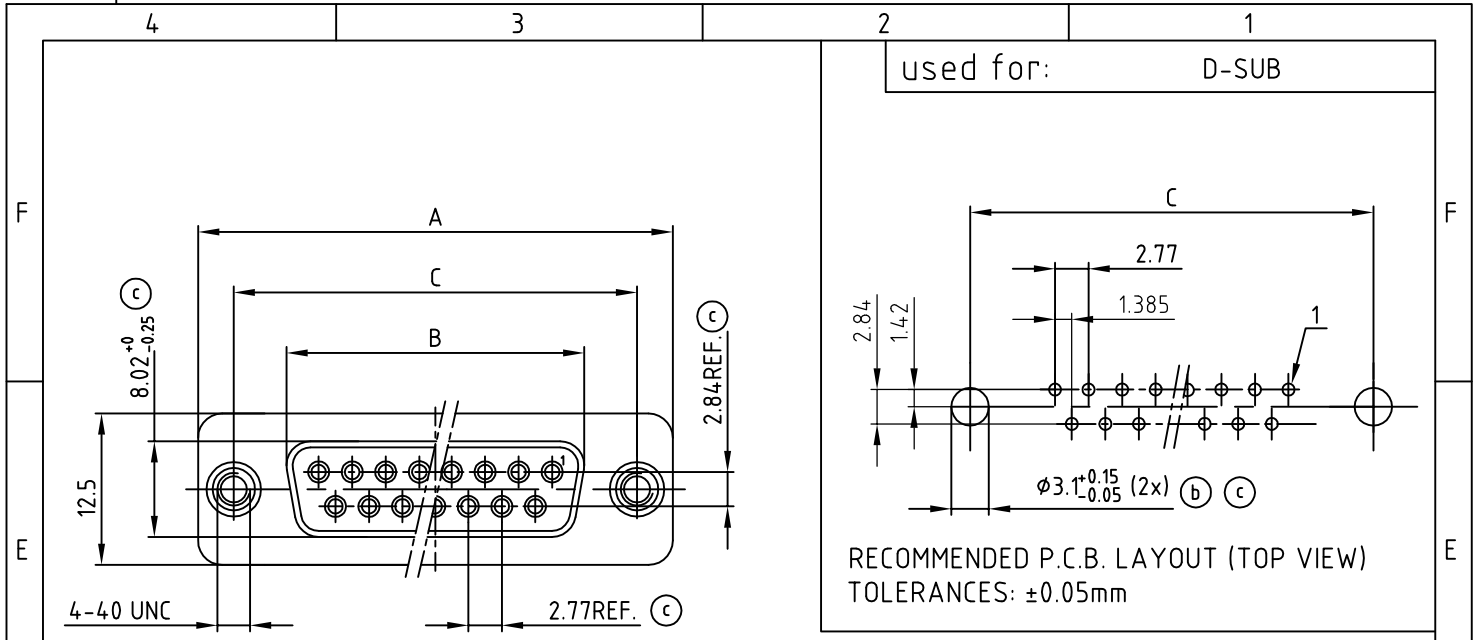
Contact us

Tel: +86-755-8981 8866 Fax: +86-755-8427 6832

Email & Skype: info@chipsmall.com Web: www.chipsmall.com

Address: A1208, Overseas Decoration Building, #122 Zhenhua RD., Futian, Shenzhen, China





- (b) SPECIFICATION**
- MATERIAL:**
 - INSULATOR: THERMAL PLASTIC UL 94 V-0
 - CONTACTS: COPPER ALLOY
 - SHELL: STEEL
 - RIVET, BOARDLOCK: COPPER ALLOY
 - CONTACT PLATING:**
 - UNDERPLATE: 50µin NICKEL
 - CONTACT AREA: GOLD FLASH
 - SOLDER TAILS AREA: GOLD FLASH
 - ELECTRICAL:**
 - OPERATION VOLTAGE: 250 VAC max.
 - CURRENT RATING: 3A max.
 - CONTACT RESISTANCE: 15 mOhm max.
 - INSULATION RESISTANCE: 3000 MOhm min. @ 500 VDC
 - DIELECTRIC WITHSTANDING VOLTAGE: 1000 VAC / MINUTE
 - OPERATING TEMPERATURE: -55°C TO +105°C
 - CONNECTOR IS PART MARKED:** DLS.XS4AA35X CONEC ABC

(c)

Part NO.	POS.	A	B-0.25	C	D
DLS1XS4AA35X	9	30.80	16.46	25.00 ^{+0.12} _{-0.0}	19.20
DLS2XS4AA35X	15	39.20	24.79	33.30 ^{+0.15} _{-0.10}	27.70
DLS3XS4AA35X	25	53.10	38.50	47.04 ^{+0.13}	41.10
DLS4XS4AA35X	37	69.40	54.96	63.50 ^{+0.13}	57.30

THIS DRAWING MAY NOT BE COPIED OR REPRODUCED IN ANY WAY, AND MAY NOT BE PASSED ON TO A THIRD PARTY WITHOUT WRITTEN PERMISSION.
 OWNERSHIP AND COPYRIGHT OF CONEC GmbH
 DO NOT ALTER CAD DRAWING BY HAND

tolerance		dim. in mm	
(b)	ANG. ±5°	0. ±0.5	0.0 ±0.3
		0.0 ±0.2	
2005	date	name	
drawn	06.10.	Lehmenkühler	
appd.	06.10.	Mickenbecker	
1 x d	Ä5116	03.03.2014	K.H.
5 x c	Ä5105	20.02.2014	K.H.
5 x b	Ä5062	27.01.2014	K.H.
a	Original		
rev.	description	date	name



scale:	2:1
material:	SEE NOTES
title:	D-SUB FEMALE 9-37pos. PCB STRAIGHT STAMPED CONTACTS with 5.8mm snap-in rivet
dwg no:	AutoCAD
	DIN-A
	4
	sh: 1
part no:	SEE TABLE