



Chipsmall Limited consists of a professional team with an average of over 10 year of expertise in the distribution of electronic components. Based in Hongkong, we have already established firm and mutual-benefit business relationships with customers from,Europe,America and south Asia,supplying obsolete and hard-to-find components to meet their specific needs.

With the principle of “Quality Parts,Customers Priority,Honest Operation,and Considerate Service”,our business mainly focus on the distribution of electronic components. Line cards we deal with include Microchip,ALPS,ROHM,Xilinx,Pulse,ON,Everlight and Freescale. Main products comprise IC,Modules,Potentiometer,IC Socket,Relay,Connector.Our parts cover such applications as commercial,industrial, and automotives areas.

We are looking forward to setting up business relationship with you and hope to provide you with the best service and solution. Let us make a better world for our industry!



Contact us

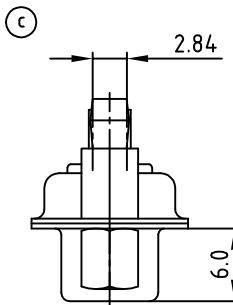
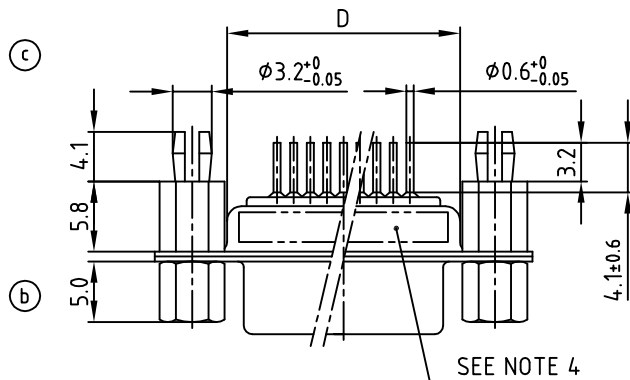
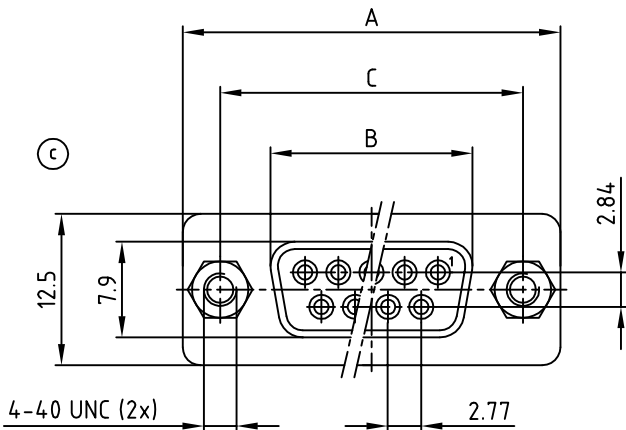
Tel: +86-755-8981 8866 Fax: +86-755-8427 6832

Email & Skype: info@chipsmall.com Web: www.chipsmall.com

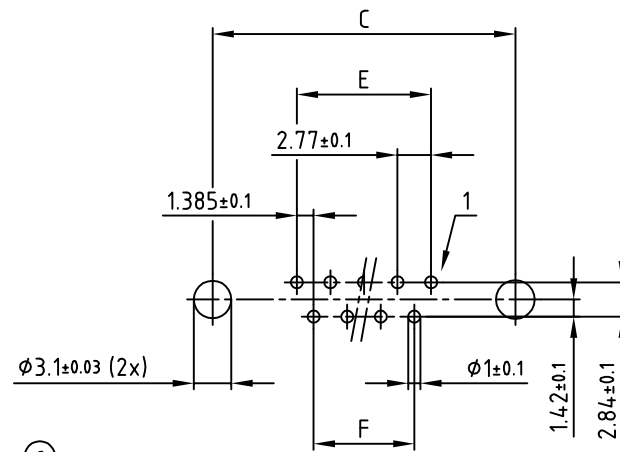
Address: A1208, Overseas Decoration Building, #122 Zhenhua RD., Futian, Shenzhen, China



POS.	A	B	C	D	E	F	Part NO.
9	30.8	16.30	25.00	19.2	11.08	8.31	DLS1XS4AA39X
15	39.2	24.60	33.30	27.7	19.39	16.62	DLS2XS4AA39X
25	53.1	38.30	47.10	41.1	33.24	30.47	DLS3XS4AA39X
37	69.4	54.80	63.50	57.3	49.86	47.09	DLS4XS4AA39X



used for: D-SUB



P.C.B. HOLE DRILLINGS

③ SPECIFICATION:

- MATERIAL:
 - INSULATOR: THERMAL PLASTIC UL 94 V-0; BLACK
 - CONTACTS: COPPER ALLOY
 - SHELL: STEEL WITH Cu 40µin min. 80~120µin NICKEL
 - RIVET, BOARDLOCK: COPPER ALLOY WITH 80~120µin NICKEL
- CONTACT PLATING:
 - UNDERPLATE: 50µin NICKEL
 - CONTACT AREA: GOLD FLASH
 - SOLDER TAILS AREA: 100µin TIN / LEAD FREE
- ELECTRICAL:
 - OPERATION VOLTAGE: 250 VAC max.
 - CURRENT RATING: 3 A max.
 - CONTACT RESISTANCE: 15 mOHM max.
 - INSULATION RESISTANCE: 3000MOHM min. @ 500 VDC
 - DIELECTRIC WITHSTANDING VOLTAGE: 1000 VAC / MINUTE
 - OPERATING TEMPERATURE: -55°C TO +105°C
- CONNECTOR IS PART MARKED: [PART-NO.] [CONEC] [ABC]

Directive 2002/95/EC RoHS compliant

THIS DRAWING MAY NOT BE COPIED OR REPRODUCED IN ANY WAY, AND MAY NOT BE PASSED ON TO A THIRD PARTY WITHOUT WRITTEN PERMISSION.
OWNERSHIP AND COPYRIGHT OF CONEC GmbH
DO NOT ALTER CAD DRAWING BY HAND

tolerance		ANG.		③	
0.	±0.5	5'			
.0	±0.3				
.00	±0.2				
2006	date	name			
drawn	24.01.	Lehmenkühler			
appd.	24.01.	Mickenbecker			
norm	DIN 41652				
5 x c	Ä5347	16.09.2014	Lehm.	d-old	
1 x b	Ä2698	30.03.2007	ES		
a	Original				
rev.	description	date	name		



scale:	2:1	
material:	SEE NOTES	
title:	D-SUB FEMALE	
	9-37pos. PCB STRAIGHT STAMPED CONTACTS	
	rear:5.8mm snap-in/front:5.0mm open hex rivet	
dwg no:	AutoCAD 2004	DIN-A
	16K1A1706	4
product no:	SEE TABLE	
		sh: 1/1