



Chipsmall Limited consists of a professional team with an average of over 10 year of expertise in the distribution of electronic components. Based in Hongkong, we have already established firm and mutual-benefit business relationships with customers from,Europe,America and south Asia,supplying obsolete and hard-to-find components to meet their specific needs.

With the principle of "Quality Parts,Customers Priority,Honest Operation,and Considerate Service",our business mainly focus on the distribution of electronic components. Line cards we deal with include Microchip,ALPS,ROHM,Xilinx,Pulse,ON,Everlight and Freescale. Main products comprise IC,Modules,Potentiometer,IC Socket,Relay,Connector.Our parts cover such applications as commercial,industrial, and automotives areas.

We are looking forward to setting up business relationship with you and hope to provide you with the best service and solution. Let us make a better world for our industry!



Contact us

Tel: +86-755-8981 8866 Fax: +86-755-8427 6832

Email & Skype: info@chipsmall.com Web: www.chipsmall.com

Address: A1208, Overseas Decoration Building, #122 Zhenhua RD., Futian, Shenzhen, China

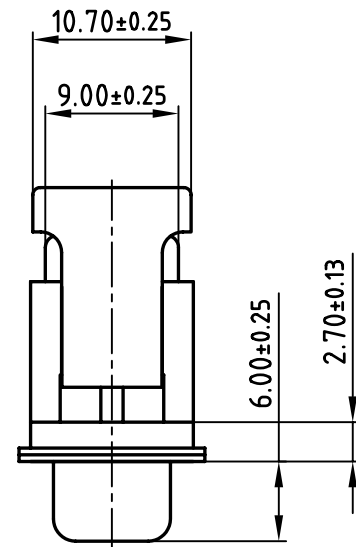
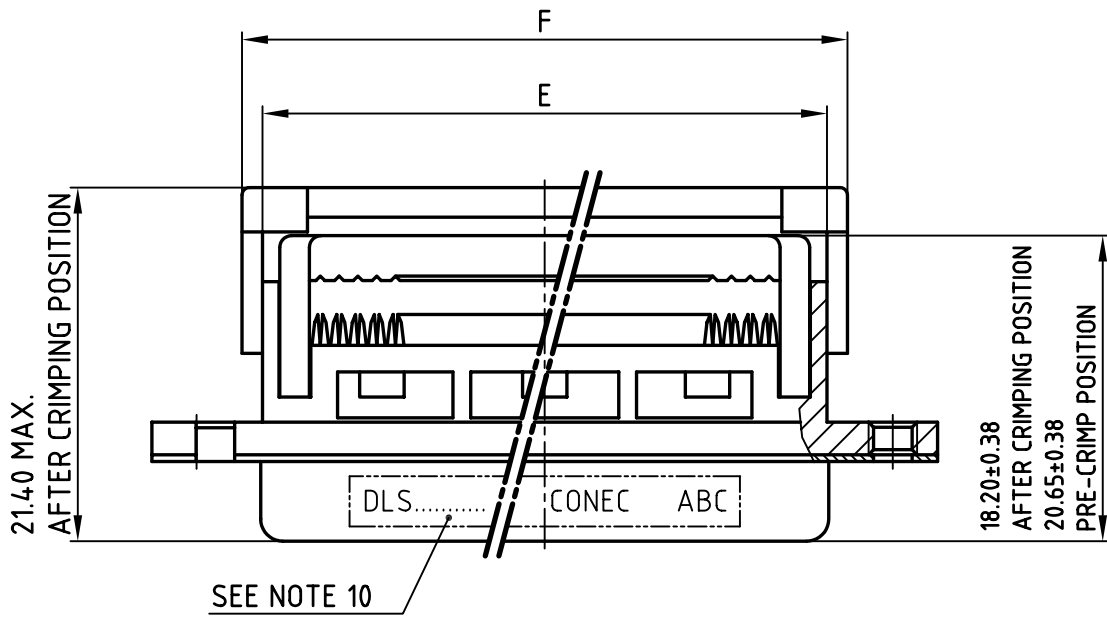
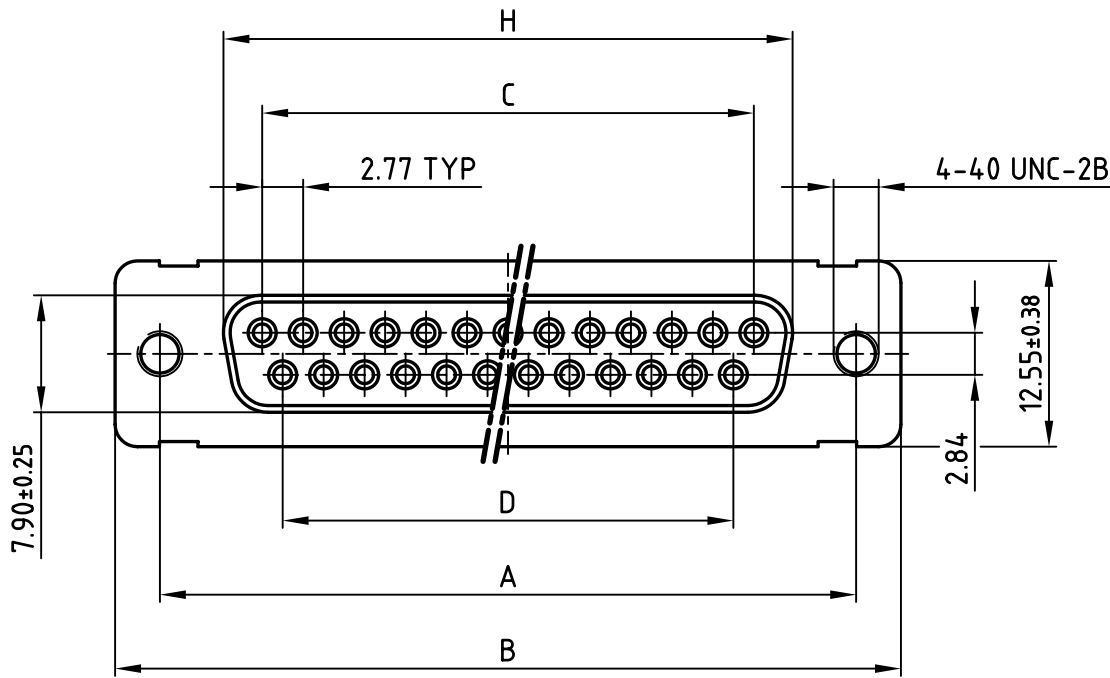
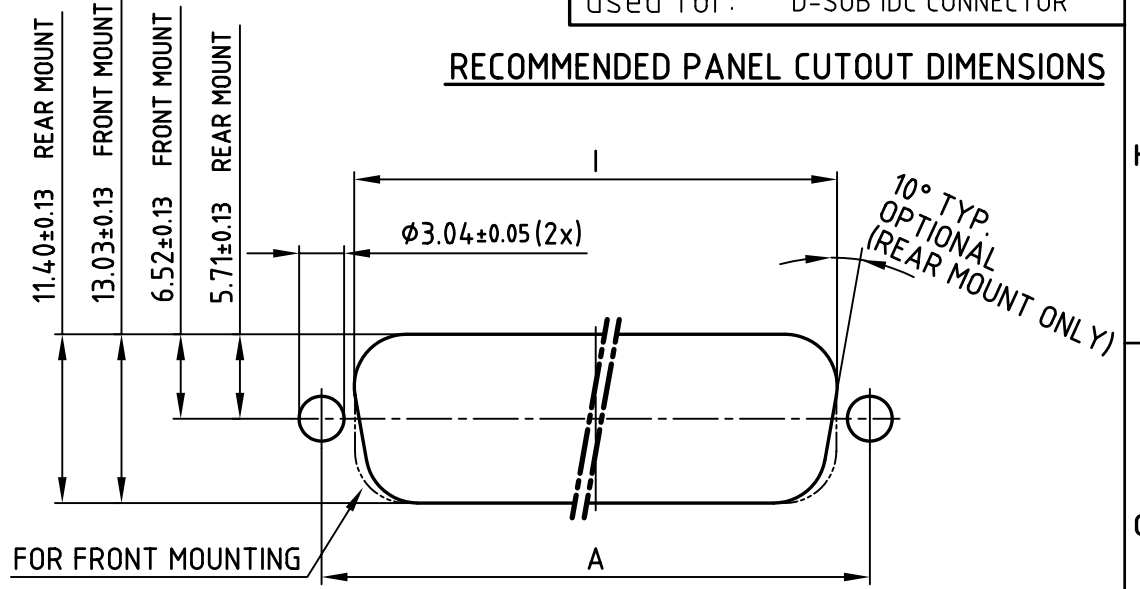


used for: D-SUB IDC CONNECTOR

SPECIFICATION:

1. CURRENT RATING: 1 A
2. INSULATION RESISTANCE: >1000 M OHM MIN. (AT 500 V DC)
3. DIELECTRIC WITHSTANDING VOLTAGE: 500 V AC MIN. (FOR 1 MINUTE)
4. OPERATING TEMPERATURE: -55°C TO +105°C
5. CONTACT RESISTANCE: ≤ 15m OHM
6. DIELECTRIC MATERIAL: PBT WITH GLASS-FIBER REINFORCED UL 94 V-0
7. CONTACT MATERIAL: PHOSPHOR BRONZE
8. CONTACT PLATING: GOLD OVER NICKEL
9. WIRE SIZE: AWG 26 + 28 STRANDED, 1.27mm CONDUCTOR CENTRE FLAT CABLE
10. CONNECTOR IS PART MARKED: PART-NO. CONEC ABC

RECOMMENDED PANEL CUTOUT DIMENSIONS



POS.	A ±0.13	B ±0.25	C ±0.13	D ±0.13	E ±0.25	F ±0.25	H ±0.25	I ±0.13		Part NO.
								REAR MOUNTING	FRONT MOUNTING	
9	24.99	30.80	11.08	8.31	16.10	18.60	16.33	20.47	22.20	DLS1XSSAG04X
15	33.32	39.10	19.39	16.62	24.00	26.60	24.66	28.80	30.53	DLS2XSSAG04X
25	47.04	53.09	33.24	30.47	38.14	40.90	38.38	42.52	44.27	DLS3XSSAG04X
37	63.50	69.40	49.86	47.09	54.60	57.10	54.84	59.08	60.73	DLS4XSSAG04X



APPROVAL # FREIGABE # DEBLOCAGE # AUTOR/ZACION # APPROVAL

CUSTOMER APPROVAL DATE:

NAME: _____ TITLE: _____

COMPANY NAME: _____

APPROVAL # FREIGABE # DEBLOCAGE # AUTOR/ZACION # APPROVAL

THIS DRAWING MAY NOT BE COPIED OR REPRODUCED IN ANY WAY, AND MAY NOT BE PASSED ON TO A THIRD PARTY WITHOUT WRITTEN PERMISSION. OWNERSHIP AND COPYRIGHT OF CONEC GmbH DO NOT ALTER CAD DRAWING BY HAND

tolerance		dim. in mm	scale: 2:1
General tolerance: ±0.25			
2010	date	name	title: D-SUB IDC FEMALE CONNECTOR WITH METAL SHELL & 4-40 THREAD
drawn	29.07.	Lehmenkühler	
appd.	30.07.	Fischer	
norm			dwg no: AutoCAD 2006 DIN-A 3 sh:1/1
d-old			
a	Origin		part no: SEE TABLE
rev.	description	date	

