



Chipsmall Limited consists of a professional team with an average of over 10 year of expertise in the distribution of electronic components. Based in Hongkong, we have already established firm and mutual-benefit business relationships with customers from,Europe,America and south Asia,supplying obsolete and hard-to-find components to meet their specific needs.

With the principle of “Quality Parts,Customers Priority,Honest Operation,and Considerate Service”,our business mainly focus on the distribution of electronic components. Line cards we deal with include Microchip,ALPS,ROHM,Xilinx,Pulse,ON,Everlight and Freescale. Main products comprise IC,Modules,Potentiometer,IC Socket,Relay,Connector.Our parts cover such applications as commercial,industrial, and automotives areas.

We are looking forward to setting up business relationship with you and hope to provide you with the best service and solution. Let us make a better world for our industry!



Contact us

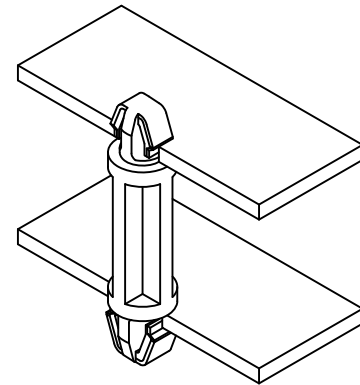
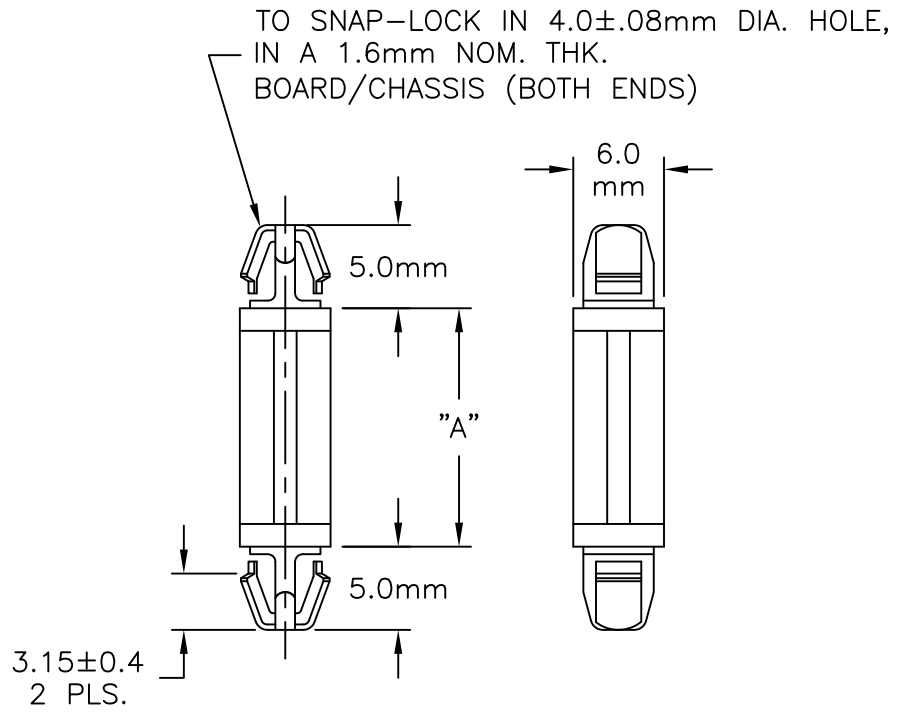
Tel: +86-755-8981 8866 Fax: +86-755-8427 6832

Email & Skype: info@chipsmall.com Web: www.chipsmall.com

Address: A1208, Overseas Decoration Building, #122 Zhenhua RD., Futian, Shenzhen, China



PART NO.	"A" ±0.4 mm
DLSP-1-3M-01	3.0 mm
DLSP-1-4M-01	4.0 mm
DLSP-1-6M-01	6.0 mm
DLSP-1-8M-01	8.0 mm
DLSP-1-10M-01	10.0 mm
DLSP-1-12M-01	12.0 mm
DLSP-1-14M-01	14.0 mm
DLSP-1-16M-01	16.0 mm
DLSP-1-18M-01	18.0 mm
DLSP-1-25M-01	25.0 mm
DLSP-1-30M-01	30.0 mm



- NOTES:
- MATERIAL: NYLON 6/6 (RMS-01).
FLAME RETARDANT, NYLON (RMS-19),
AVAILABLE BY SPECIAL ORDER ONLY.
 - COLOR: NATURAL.

F	ADDED -25M, AND -30M PART NO.,SEE CO 200531	SK 05.10.10	TITLE: DUAL LOCKING SUPPORT POST (METRIC), TYPE 1						DWG IN METRIC	
E	DIM. 3.15 WAS 3.7	SM 05.28.02	FILE # DLSP-1		DWN: P.B.	APP:		FINAL		
D	CHANGED FILE NUMBER	SM 05.10.01	MAT'L: SEE NOTE		DT: 10-04-94	DT:		PART #		
C	Tol. ±.08 added to dim 4.0 mm	JL 4.3.00	RE: RICHCO INC		RICHCO INC.		SEE TABLE		PRINT TYPE	
B	NOTE 2 REMOVED; 2ND CHART ADDED; DIM SEE CHART ADDED; DIM .24 (6) ADDED	PB 07.05.95	FRAC=±1/64		PO BOX 804238,CHICAGO,60680				CA	
A	-01 ADDED TO P/N'S	PB 11.09.94	ANG=±1'		(773) 539-4060					
REV	DESCRIPTION	ENGR DATE								