



Chipsmall Limited consists of a professional team with an average of over 10 year of expertise in the distribution of electronic components. Based in Hongkong, we have already established firm and mutual-benefit business relationships with customers from,Europe,America and south Asia,supplying obsolete and hard-to-find components to meet their specific needs.

With the principle of “Quality Parts,Customers Priority,Honest Operation,and Considerate Service”,our business mainly focus on the distribution of electronic components. Line cards we deal with include Microchip,ALPS,ROHM,Xilinx,Pulse,ON,Everlight and Freescale. Main products comprise IC,Modules,Potentiometer,IC Socket,Relay,Connector.Our parts cover such applications as commercial,industrial, and automotives areas.

We are looking forward to setting up business relationship with you and hope to provide you with the best service and solution. Let us make a better world for our industry!



Contact us

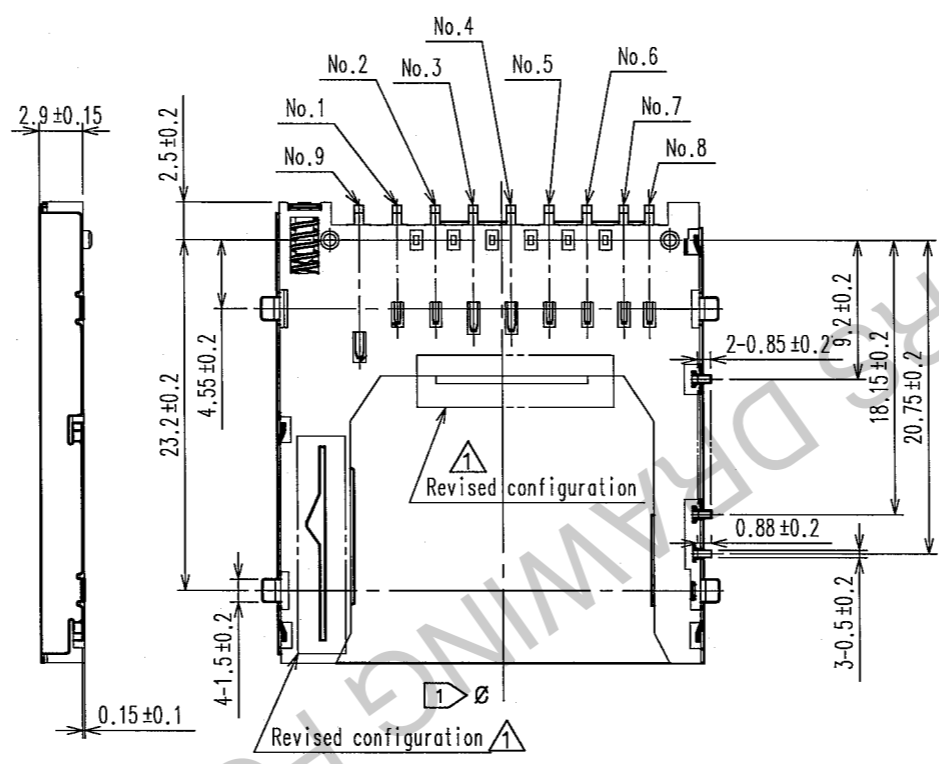
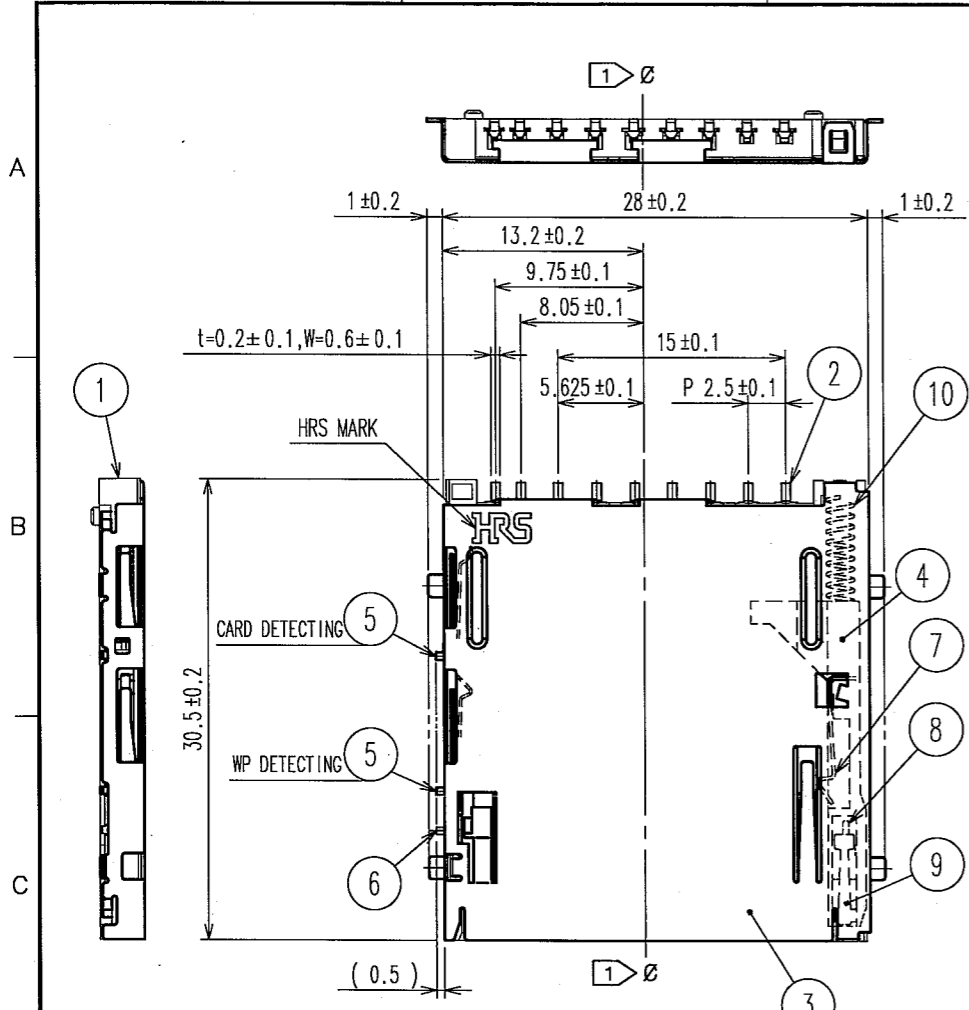
Tel: +86-755-8981 8866 Fax: +86-755-8427 6832

Email & Skype: info@chipsmall.com Web: www.chipsmall.com

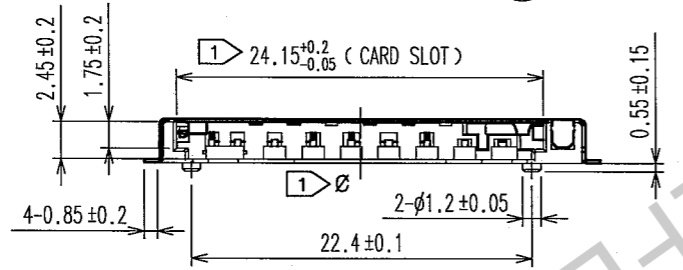
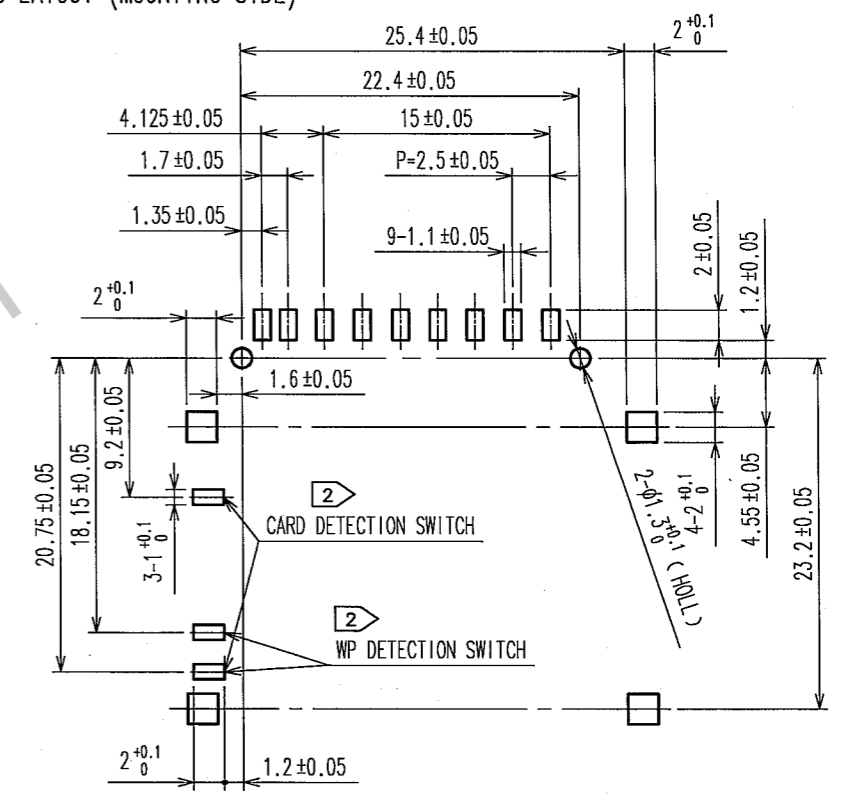
Address: A1208, Overseas Decoration Building, #122 Zhenhua RD., Futian, Shenzhen, China



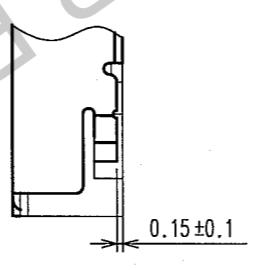
COUNT	DESCRIPTION OF REVISIONS	BY	CHKD	DATE	COUNT	DESCRIPTION OF REVISIONS	BY	CHKD	DATE
2	DIS-F-000445	H.S		05.09.27					



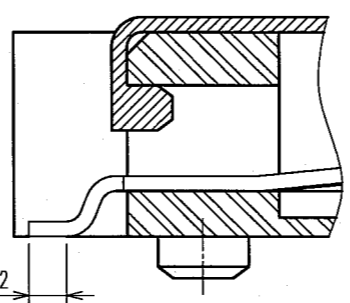
PCB LAYOUT (MOUNTING SIDE)



DISTANCE TO PCB (FREE)



LENGTH OF LEAD FLAT AREA (FREE)



NOTES 1) Ø IS THE CENTERLINE OF THE CARD SLOT.
2) CARD DETECTION PROCEDURE AND WP DETECTION PROCEDURE ARE SHOWN IN THE BELOW.

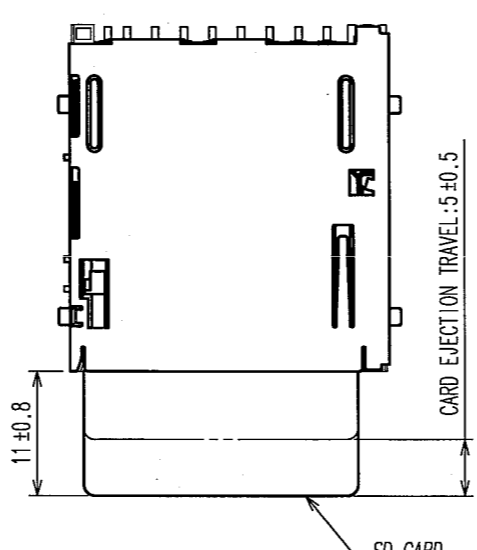
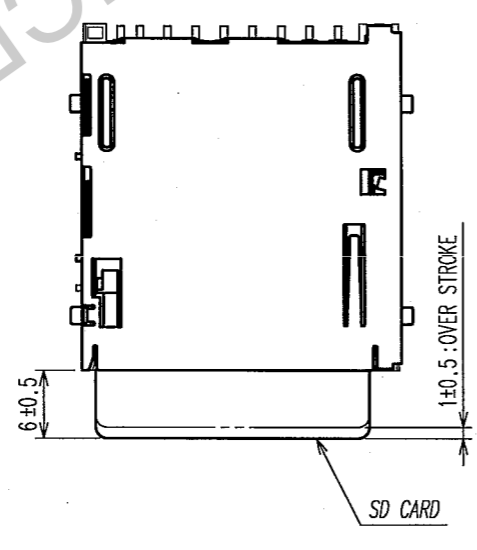
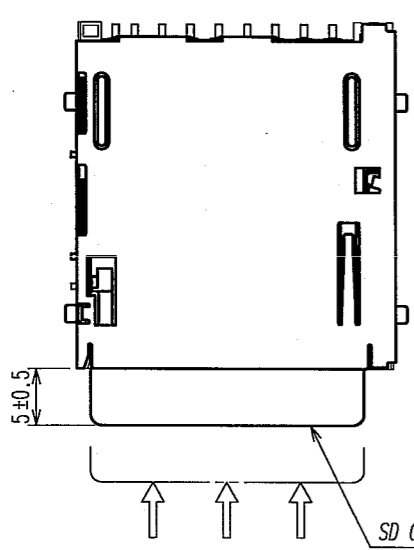
CARD DETECTION SWITCH		WP DETECTION SWITCH	
NO CARD	CARD INSERTED	NO CARD	CARD INSERTED
			WRITE PROTECT
			WRITE ENABLE
OPEN	CLOSE	OPEN	CLOSE
PART NO.5 (CARD DETECTING)	PART NO.5 (CARD DETECTING)	PART NO.5 (WP DETECTING)	PART NO.5 (WP DETECTING)
PART NO.6 (CARD DETECTING)	PART NO.6 (CARD DETECTING)	PART NO.6 (WP DETECTING)	PART NO.6 (WP DETECTING)

- 3 LEAD CO-PLANARITY TO BE 0.1mm.
- 4 CONNECTOR WEIGHT/PIECE: 2.2g

CARD PUSHING POSITION

CARD INSERTED POSITION

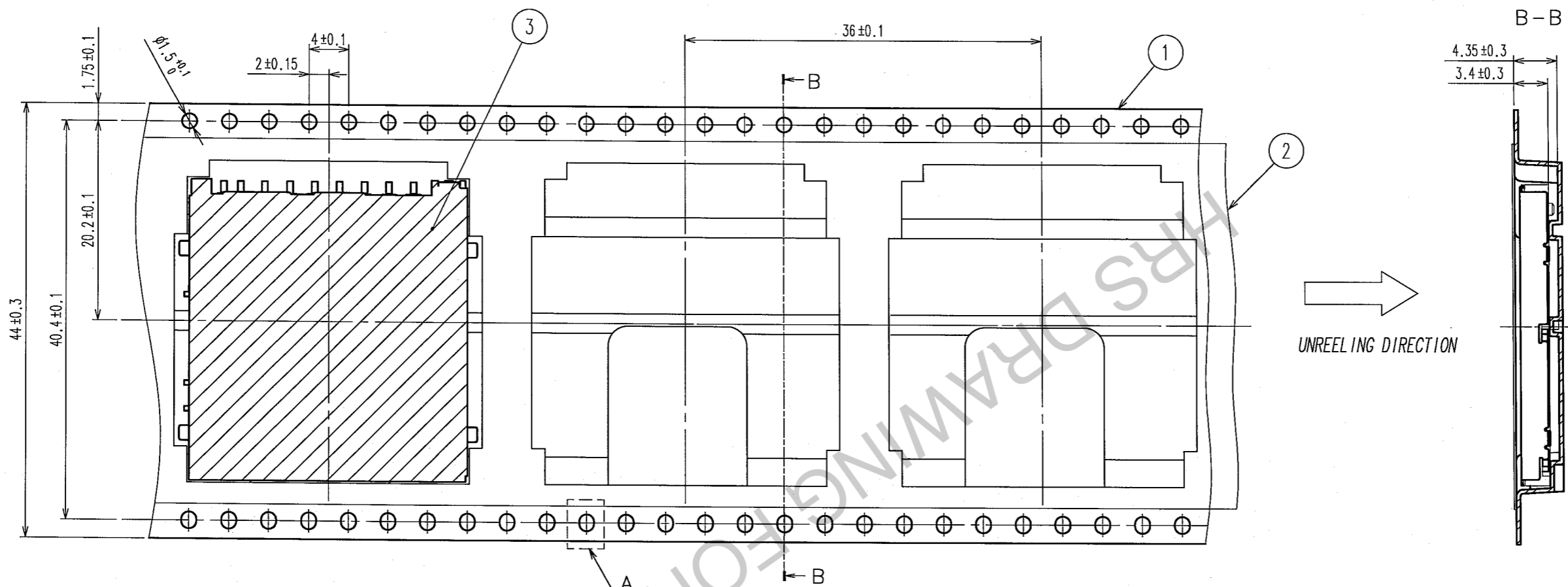
CARD EJECTED POSITION



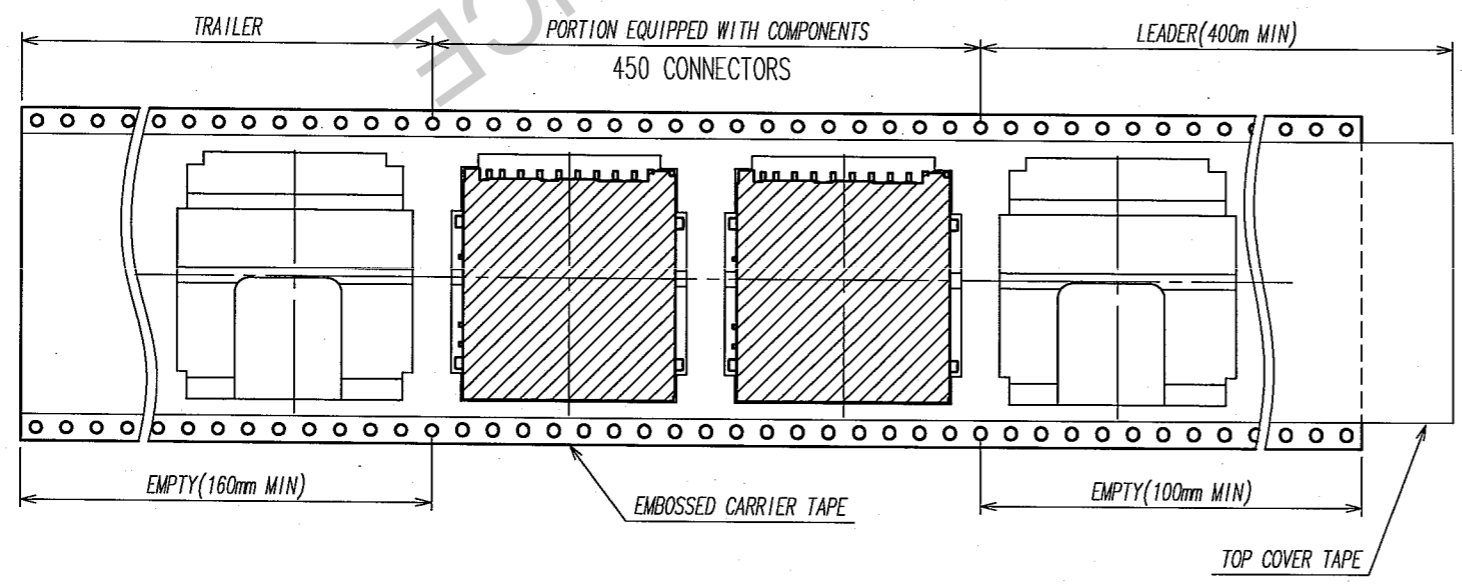
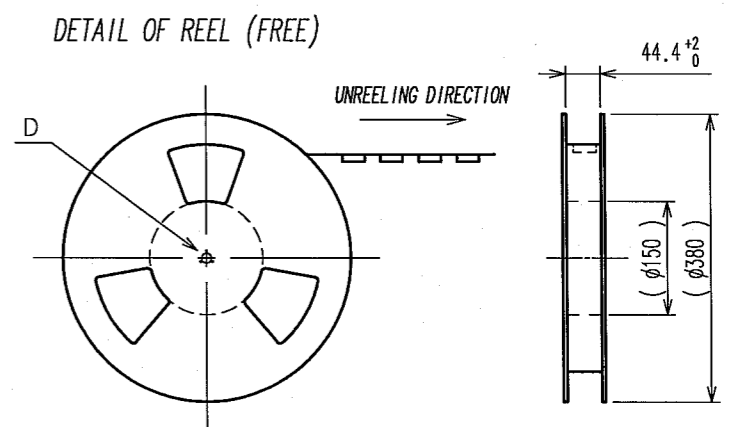
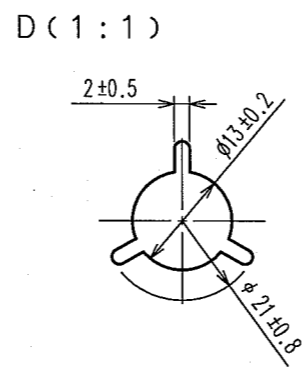
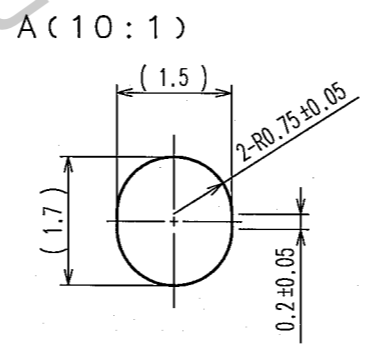
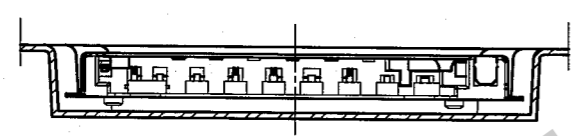
3	STAINLESS STEEL	MOUNTING AREA: Ni0.5μm+Sn1μm	10	SWC	Ni3μm
2	COPPER ALLOY	CONTACT AREA: Ni2μm+Au0.2μm MOUNTING AREA: Ni2μm+Au0.03μm	7~9	STAINLESS STEEL	
1	LCP	BLACK UL94V-0	5,6	COPPER ALLOY	CONTACT AREA: Ni2μm+Au0.2μm MOUNTING AREA: Ni2μm+Au0.03μm
			4	LCP	BLACK UL94V-0
NO.	MATERIAL	FINISH, REMARKS	NO.	MATERIAL	FINISH, REMARKS
CODE NO. (OLD) CL		DRAWN H.SAITOU '05.07.19		DESIGNED H.SAITOU '05.07.19	CHECKED S.TOMIOKA '05.07.19
		APPROVED K.AKIYAMA '05.07.19		RELEASED	
DRAWING NO. EDC3-153736-02			PART NO. DM1AA-SF-PEJ(82)		
SCALE 2:1			CODE NO. CL609-0004-8-82		
UNITS mm			1/2		

TO

COUNT	DESCRIPTION OF REVISIONS	BY	CHKD	DATE	COUNT	DESCRIPTION OF REVISIONS	BY	CHKD	DATE



UNREELING DIRECTION



NOTES 1 450 CONNECTORRS / REEL

3	(CONNECTORS)
2	POLYESTER
1	PS

NO.	MATERIAL	FINISH, REMARKS	NO.	MATERIAL	FINISH, REMARKS

NO. (OLD)	CL	DRAWN	DESIGNED	CHECKED	APPROVED	RELEASED
		H.SAITOU	H.SAITOU	S.TOMIOKA	K.AKIYAMA	
		'05.07.19	'05.07.19	'05.07.19	'05.07.19	

SCALE	2 : 1	DRAWING NO.	EDC3-153736-02	PART NO.	DM1AA-SF-PEJ(82)
UNITS	mm	HRS	HIROSE ELECTRIC CO., LTD	CODE NO.	CL609-0004-8-82

TO