



Chipsmall Limited consists of a professional team with an average of over 10 year of expertise in the distribution of electronic components. Based in Hongkong, we have already established firm and mutual-benefit business relationships with customers from,Europe,America and south Asia,supplying obsolete and hard-to-find components to meet their specific needs.

With the principle of “Quality Parts,Customers Priority,Honest Operation,and Considerate Service”,our business mainly focus on the distribution of electronic components. Line cards we deal with include Microchip,ALPS,ROHM,Xilinx,Pulse,ON,Everlight and Freescale. Main products comprise IC,Modules,Potentiometer,IC Socket,Relay,Connector.Our parts cover such applications as commercial,industrial, and automotives areas.

We are looking forward to setting up business relationship with you and hope to provide you with the best service and solution. Let us make a better world for our industry!



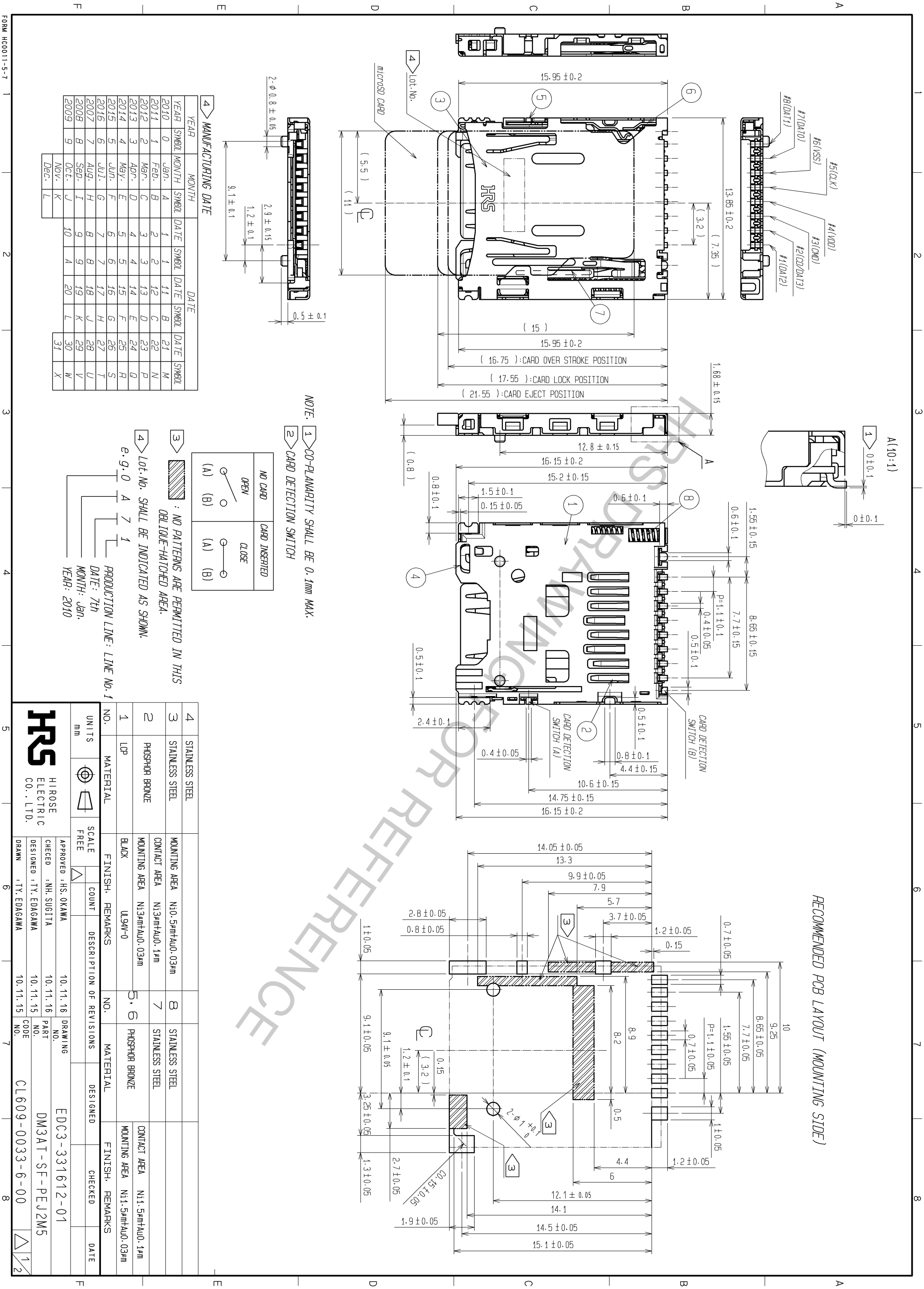
## Contact us

Tel: +86-755-8981 8866 Fax: +86-755-8427 6832

Email & Skype: info@chipsmall.com Web: www.chipsmall.com

Address: A1208, Overseas Decoration Building, #122 Zhenhua RD., Futian, Shenzhen, China





NOTE. 1 > CO-PLANARITY SHALL BE 0.1mm MAX.  
2 > CARD DETECTION SWITCH

NO CARD	CARD INSERTED
OPEN	CLOSE
(A) (B)	(A) (B)

3 > NO PATTERNS ARE PERMITTED IN THIS OBLIQUE-HATCHED AREA.  
4 > Lot. No. SHALL BE INDICATED AS SHOWN.  
e.g. 0 A 7 1  
PRODUCTION LINE: LINE No. 1  
DATE: 7th  
MONTH: Jan.  
YEAR: 2010

RECOMMENDED PCB LAYOUT (MOUNTING SIDE)

4 > MANUFACTURING DATE

YEAR	MONTH	DATE	YEAR	MONTH	DATE	YEAR	MONTH	DATE
2010	0	Jan. A	1	1	11	B	21	M
2010	1	Feb. B	2	2	12	C	22	N
2010	2	Mar. C	3	3	13	D	23	P
2010	3	Apr. D	4	4	14	E	24	R
2010	4	May. E	5	5	15	F	25	S
2010	5	Jun. F	6	6	16	G	26	T
2010	6	Jul. G	7	7	17	H	27	V
2010	7	Aug. H	8	8	18	J	28	U
2010	8	Sep. I	9	9	19	K	29	W
2010	9	Oct. J	10	10	20	L	30	X
2010	10	Nov. K						
2010	11	Dec. L						

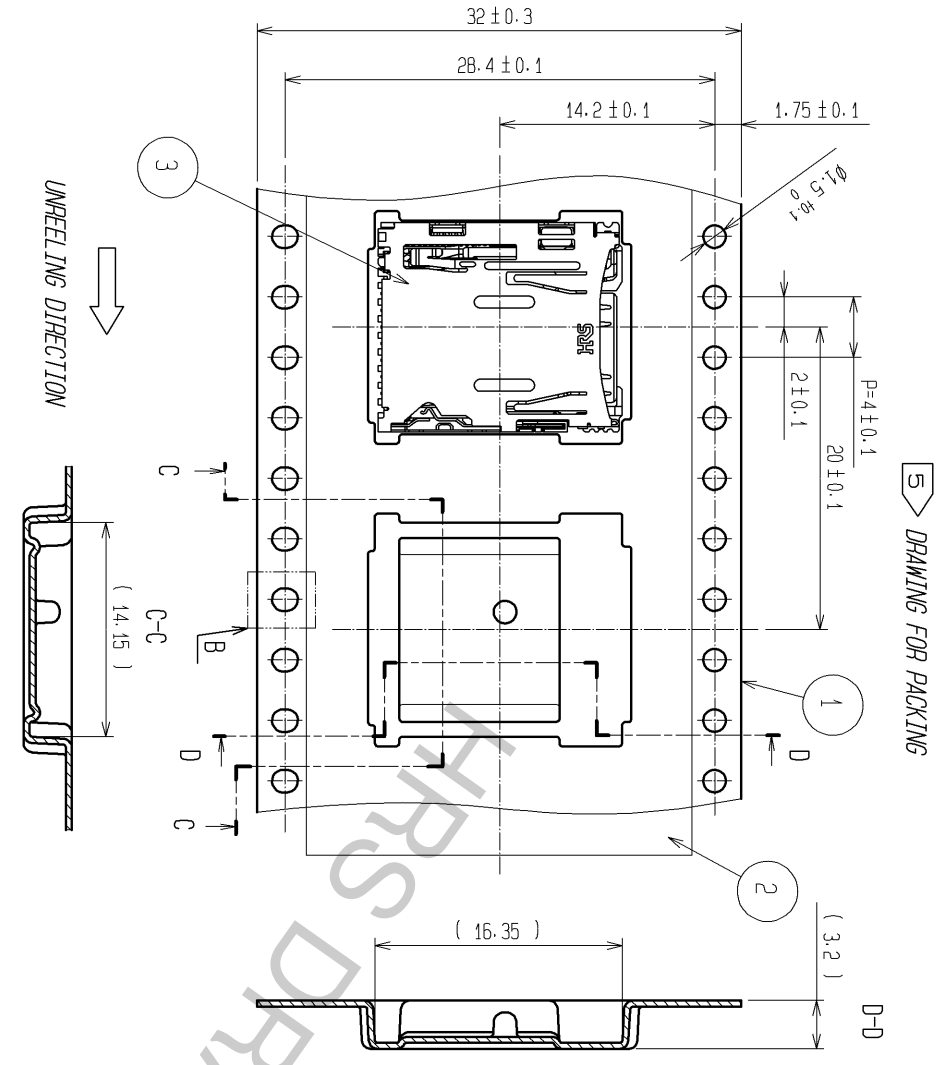
NO.	MATERIAL	FINISH	REMARKS	NO.	MATERIAL	FINISH	REMARKS
1	LCP	BLACK	UL94V-0	5, 6	PHOSPHOR BRONZE		
2	PHOSPHOR BRONZE			7	STAINLESS STEEL		
3	STAINLESS STEEL			8	STAINLESS STEEL		
4	STAINLESS STEEL						

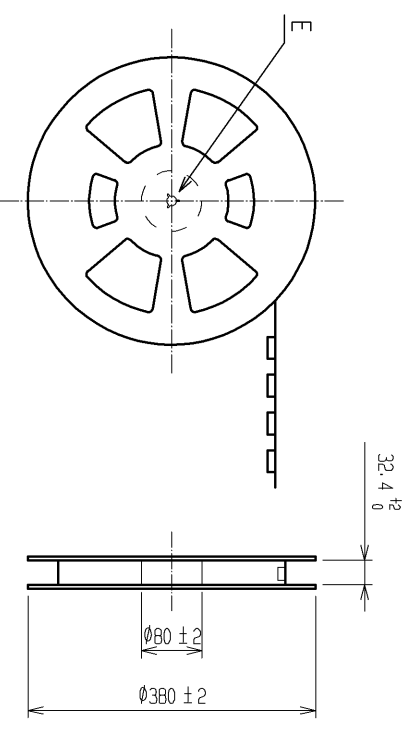
UNITS	SCALE	COUNT	DESCRIPTION OF REVISIONS	DESIGNED	CHECKED	DATE
mm	FREE					

APPROVED: HS. OKAWA	10.11.16	DRAWING NO.	EDC3-331612-01
CHECKED: NH. SUBITA	10.11.16	PART NO.	DM3AT-SF-PEJ2M5
DESIGNED: TY. EDAGAWA	10.11.15	CODE NO.	CL609-0033-6-00
DRAWN: TY. EDAGAWA	10.11.15		

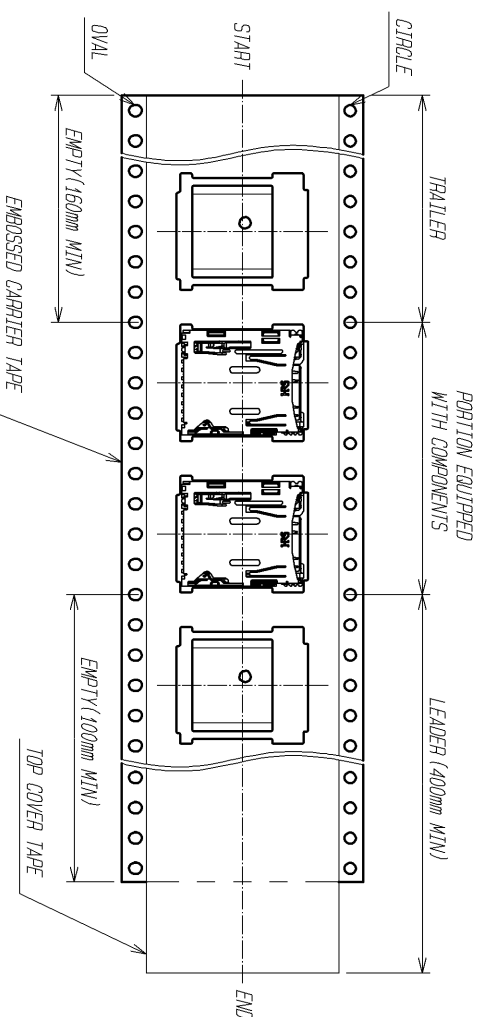
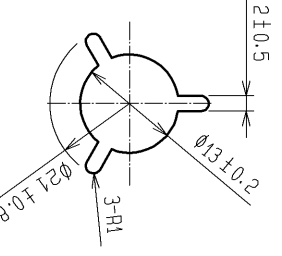
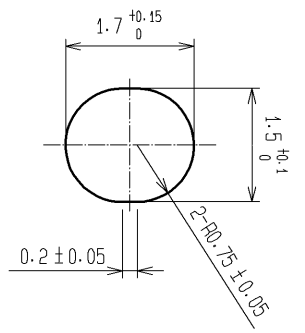


DETAIL OF REEL (1:10)



B (10:1)

E (1:1)



NOTE: 5 DRAWING FOR PACKING TYPE: TAPE AND REEL. 1500PCS PER REEL.  
 6 PLEASE REFER TO TECHNICAL SPECIFICATION : ETAD-F0345  
 \*DM3AT SERIES PRODUCT INFORMATION AND HANDLING INSTRUCTIONS\*  
 FOR THE HANDLING OF THE PRODUCT.

NO.	MATERIAL	FINISH, REMARKS
3	(CONNECTORS)	
2	POLYESTER	
1	PS	

UNITS	SCALE	COUNT	DESCRIPTION OF REVISIONS	DESIGNED	CHECKED	DATE
mm	2:1					

NO.	DRAWING	EDC3-331612-01
APPROVED	HS. OKAWA	
CHECKED	NH. SUBITA	
DESIGNED	TY. EDAGAWA	
DRAWN	TY. EDAGAWA	

NO.	CODE	CL609-0033-6-00
10.11.16		
10.11.16		
10.11.15		
10.11.15		