



Chipsmall Limited consists of a professional team with an average of over 10 year of expertise in the distribution of electronic components. Based in Hongkong, we have already established firm and mutual-benefit business relationships with customers from,Europe,America and south Asia,supplying obsolete and hard-to-find components to meet their specific needs.

With the principle of "Quality Parts,Customers Priority,Honest Operation,and Considerate Service",our business mainly focus on the distribution of electronic components. Line cards we deal with include Microchip,ALPS,ROHM,Xilinx,Pulse,ON,Everlight and Freescale. Main products comprise IC,Modules,Potentiometer,IC Socket,Relay,Connector.Our parts cover such applications as commercial,industrial, and automotives areas.

We are looking forward to setting up business relationship with you and hope to provide you with the best service and solution. Let us make a better world for our industry!



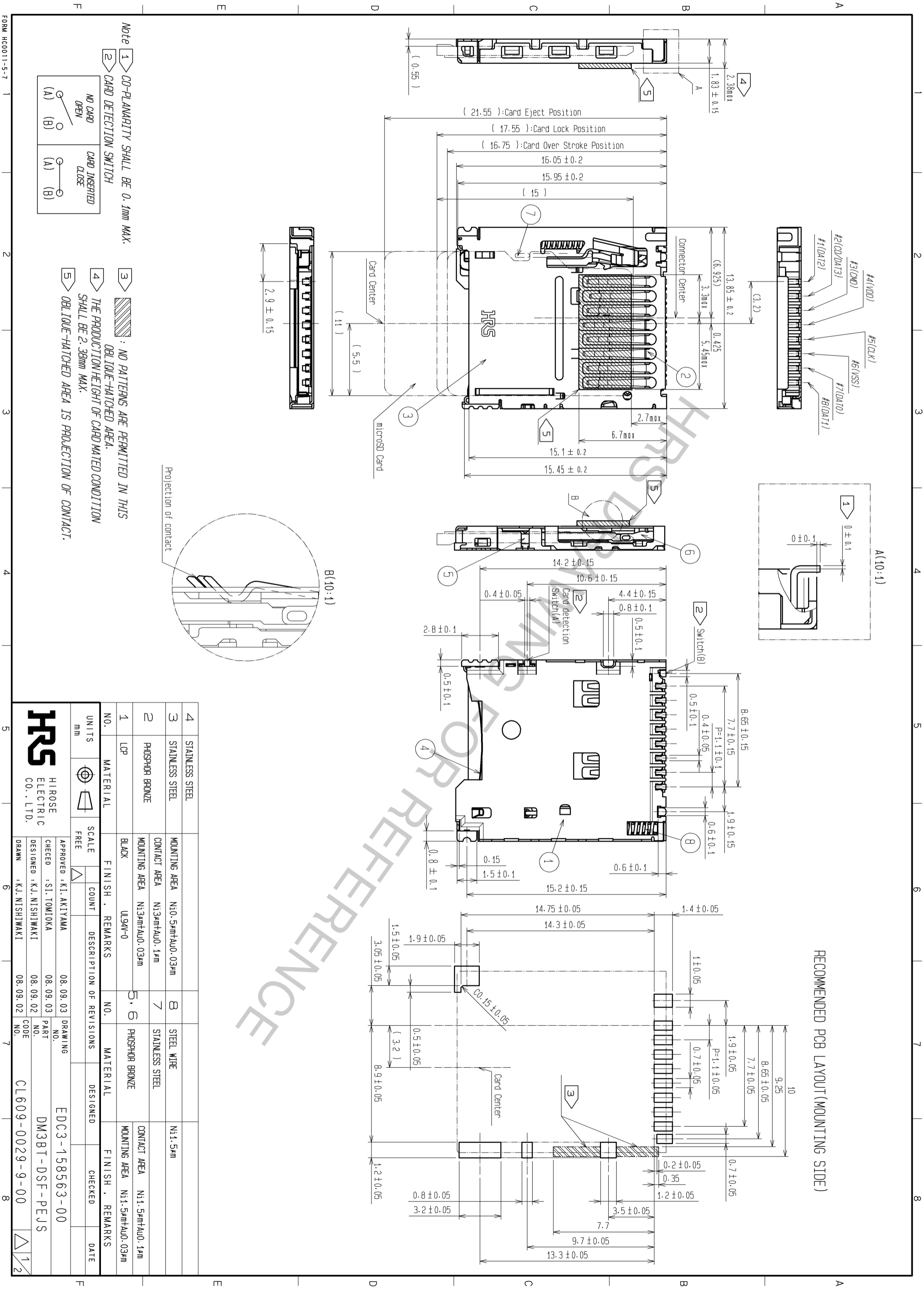
Contact us

Tel: +86-755-8981 8866 Fax: +86-755-8427 6832

Email & Skype: info@chipsmall.com Web: www.chipsmall.com

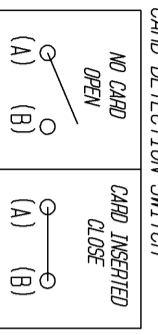
Address: A1208, Overseas Decoration Building, #122 Zhenhua RD., Futian, Shenzhen, China



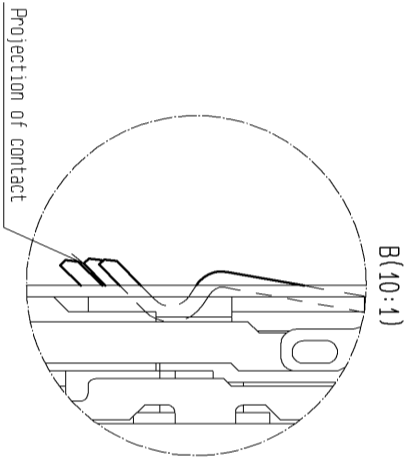


RECOMMENDED PCB LAYOUT (MOUNTING SIDE)

Note 1 CO-PLANARITY SHALL BE 0.1mm MAX.
 2 CARD DETECTION SWITCH



3 NO PATTERNS ARE PERMITTED IN THIS OBLIQUE-HATCHED AREA.
 4 THE PRODUCTION HEIGHT OF CARD MATED CONDITION SHALL BE 2.36mm MAX.
 5 OBLIQUE-HATCHED AREA IS PROJECTION OF CONTACT.

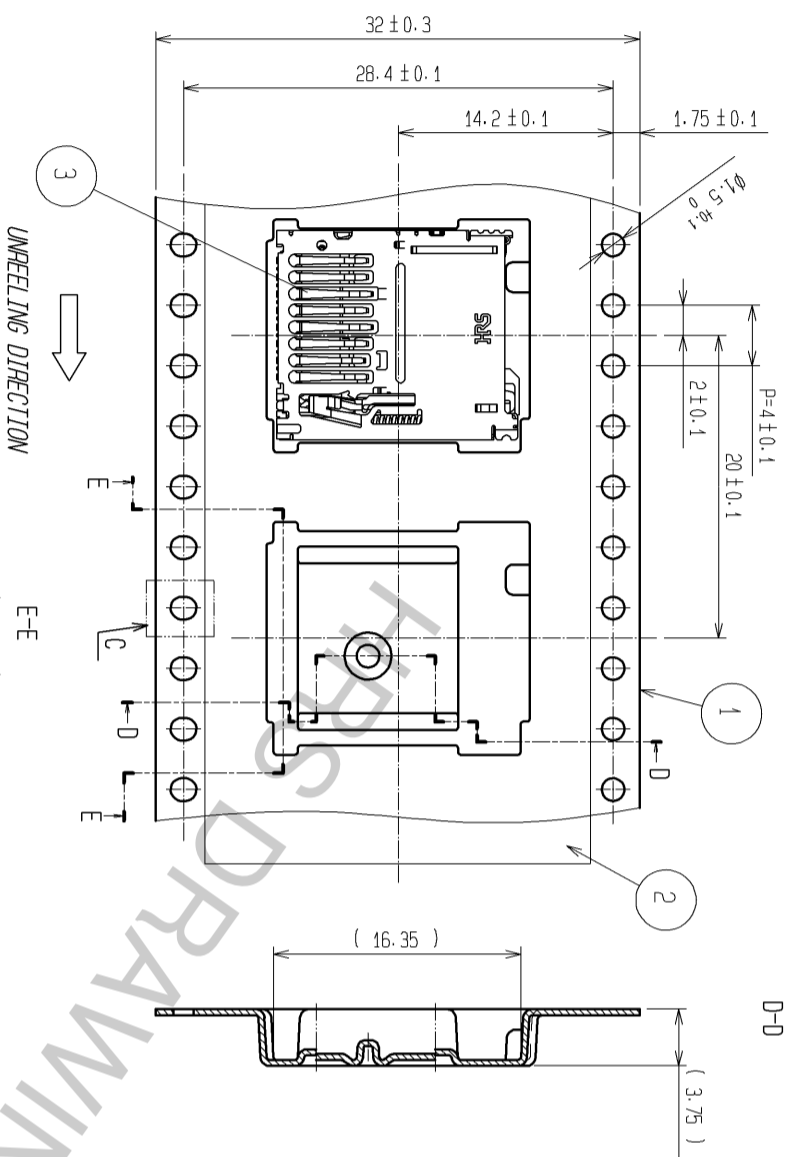


4	STAINLESS STEEL	MOUNTING AREA	Ni0.5μm+Au0.03μm	8	STEEL WIRE		
3	STAINLESS STEEL	CONTACT AREA	Ni3μm+Au0.1μm	7	STAINLESS STEEL		Ni1.5μm
2	PHOSPHOR BRONZE	MOUNTING AREA	Ni3μm+Au0.03μm	5, 6	PHOSPHOR BRONZE		CONTACT AREA Ni1.5μm+Au0.1μm MOUNTING AREA Ni1.5μm+Au0.03μm
1	LCP	BLACK	UL94V-0				

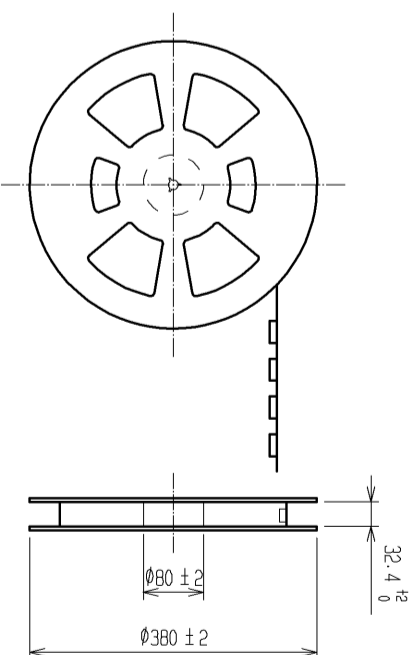
UNITS	SCALE	COUNT	DESCRIPTION OF REVISIONS	DESIGNED	CHECKED	DATE
mm	FREE					

APPROVED	K.I. AKIYAMA	08.09.03	DRAWING NO.	EDC3-158563-00
CHECKED	S.I. TOMIOKA	08.09.03	PART NO.	DM3BT-DSF-PEJS
DESIGNED	K.J. NISHIWAKI	08.09.02	CODE NO.	CL609-0029-9-00
DRAWN	K.J. NISHIWAKI	08.09.02		

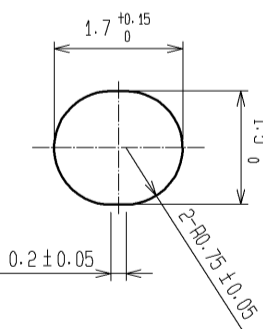
6 DRAWING FOR PACKING



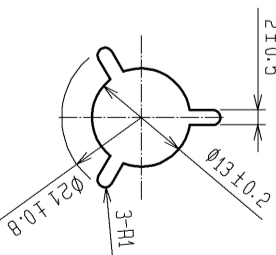
DETAIL OF REEL (1:10)



C (10:1)

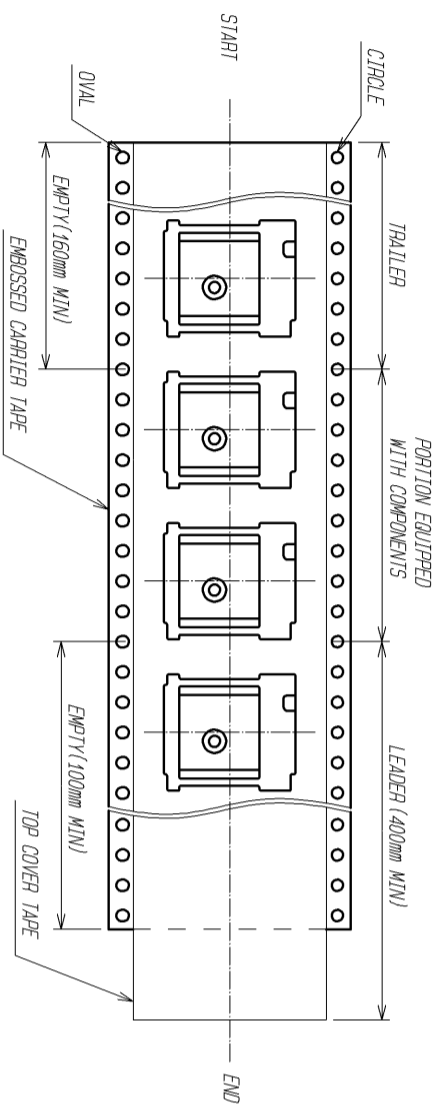


F (1:1)



MANUFACTURING DATE

YEAR	MONTH	DATE	YEAR	MONTH	DATE
2010	0	JAN. A	2010	11	B
2011	1	FEB. B	2011	12	C
2012	2	MAR. C	2012	1	D
2013	3	APR. D	2013	2	E
2014	4	MAY. E	2014	3	F
2015	5	JUN. F	2015	4	G
2016	6	JUL. G	2016	5	H
2017	7	AUG. H	2017	6	I
2018	8	SEP. I	2018	7	J
2019	9	OCT. J	2019	8	K
	10	NOV. K	2019	9	L
	11	DEC. L	2019	10	M
	12		2020	11	N
			2020	12	O
			2021	1	P
			2021	2	Q
			2021	3	R
			2021	4	S
			2021	5	T
			2021	6	U
			2021	7	V
			2021	8	W
			2021	9	X
			2021	10	
			2021	11	
			2021	12	



PACKING TYPE: TAPE AND REEL. 1200PCS PER REEL.

PLEASE REFER TO TECHNICAL SPECIFICATION : ETAD-F0448
DM3BT SERIES PRODUCT INFORMATION AND HANDLING INSTRUCTIONS*
FOR THE HANDLING OF THE PRODUCT.

Lot. NO. SHALL BE INDICATED AS SHOWN.
e.g. B H M 1

PRODUCTION LINE: LINE No. 1
DATE: 21th
MONTH: AUG.
YEAR: 2008

NO.	MATERIAL	FINISH . REMARKS
3	(CONNECTORS)	
2	POLYESTER	
1	PS	

NO.	UNITS	MATERIAL	FINISH . REMARKS
3	mm		
2	2 : 1		
1			

NO.	SCALE	COUNT	DESCRIPTION OF REVISIONS	DESIGNED	CHECKED	DATE
1	2 : 1					

NO.	FINISH . REMARKS	NO.	MATERIAL	FINISH . REMARKS
3	(CONNECTORS)			
2	POLYESTER			
1	PS			

NO.	UNITS	MATERIAL	FINISH . REMARKS
3	mm		
2	2 : 1		
1			

NO.	SCALE	COUNT	DESCRIPTION OF REVISIONS	DESIGNED	CHECKED	DATE
1	2 : 1					

NO.	FINISH . REMARKS	NO.	MATERIAL	FINISH . REMARKS
3	(CONNECTORS)			
2	POLYESTER			
1	PS			

NO.	UNITS	MATERIAL	FINISH . REMARKS
3	mm		
2	2 : 1		
1			

NO.	SCALE	COUNT	DESCRIPTION OF REVISIONS	DESIGNED	CHECKED	DATE
1	2 : 1					

NO.	FINISH . REMARKS	NO.	MATERIAL	FINISH . REMARKS
3	(CONNECTORS)			
2	POLYESTER			
1	PS			

NO.	UNITS	MATERIAL	FINISH . REMARKS
3	mm		
2	2 : 1		
1			

NO.	SCALE	COUNT	DESCRIPTION OF REVISIONS	DESIGNED	CHECKED	DATE
1	2 : 1					

NO.	FINISH . REMARKS	NO.	MATERIAL	FINISH . REMARKS
3	(CONNECTORS)			
2	POLYESTER			
1	PS			

NO.	UNITS	MATERIAL	FINISH . REMARKS
3	mm		
2	2 : 1		
1			

NO.	SCALE	COUNT	DESCRIPTION OF REVISIONS	DESIGNED	CHECKED	DATE
1	2 : 1					

NO.	FINISH . REMARKS	NO.	MATERIAL	FINISH . REMARKS
3	(CONNECTORS)			
2	POLYESTER			
1	PS			

NO.	UNITS	MATERIAL	FINISH . REMARKS
3	mm		
2	2 : 1		
1			

NO.	SCALE	COUNT	DESCRIPTION OF REVISIONS	DESIGNED	CHECKED	DATE
1	2 : 1					

NO.	FINISH . REMARKS	NO.	MATERIAL	FINISH . REMARKS
3	(CONNECTORS)			
2	POLYESTER			
1	PS			

NO.	UNITS	MATERIAL	FINISH . REMARKS
3	mm		
2	2 : 1		
1			

NO.	SCALE	COUNT	DESCRIPTION OF REVISIONS	DESIGNED	CHECKED	DATE
1	2 : 1					

NO.	FINISH . REMARKS	NO.	MATERIAL	FINISH . REMARKS
3	(CONNECTORS)			
2	POLYESTER			
1	PS			

NO.	UNITS	MATERIAL	FINISH . REMARKS
3	mm		
2	2 : 1		
1			

NO.	SCALE	COUNT	DESCRIPTION OF REVISIONS	DESIGNED	CHECKED	DATE
1	2 : 1					

NO.	FINISH . REMARKS	NO.	MATERIAL	FINISH . REMARKS
3	(CONNECTORS)			
2	POLYESTER			
1	PS			

NO.	UNITS	MATERIAL	FINISH . REMARKS
3	mm		
2	2 : 1		
1			

NO.	SCALE	COUNT	DESCRIPTION OF REVISIONS	DESIGNED	CHECKED	DATE
1	2 : 1					

NO.	FINISH . REMARKS	NO.	MATERIAL	FINISH . REMARKS
3	(CONNECTORS)			
2	POLYESTER			
1	PS			

NO.	UNITS	MATERIAL	FINISH . REMARKS
3	mm		
2	2 : 1		
1			

NO.	SCALE	COUNT	DESCRIPTION OF REVISIONS	DESIGNED	CHECKED	DATE
1	2 : 1					

NO.	FINISH . REMARKS	NO.	MATERIAL	FINISH . REMARKS
3	(CONNECTORS)			
2	POLYESTER			
1	PS			

NO.	UNITS	MATERIAL	FINISH . REMARKS
3	mm		
2	2 : 1		
1			

NO.	SCALE	COUNT	DESCRIPTION OF REVISIONS	DESIGNED	CHECKED	DATE
1	2 : 1					

NO.	FINISH . REMARKS	NO.	MATERIAL	FINISH . REMARKS
3	(CONNECTORS)			
2	POLYESTER			
1	PS			

NO.	UNITS	MATERIAL	FINISH . REMARKS
3	mm		
2	2 : 1		
1			

NO.	SCALE	COUNT	DESCRIPTION OF REVISIONS	DESIGNED	CHECKED	DATE
1	2 : 1					

NO.	FINISH . REMARKS	NO.	MATERIAL	FINISH . REMARKS
3	(CONNECTORS)			
2	POLYESTER			
1	PS			

NO.	UNITS	MATERIAL	FINISH . REMARKS
3	mm		
2	2 : 1		
1			

NO.	SCALE	COUNT	DESCRIPTION OF REVISIONS	DESIGNED	CHECKED	DATE
1	2 : 1					

NO.	FINISH . REMARKS	NO.	MATERIAL	FINISH . REMARKS
3	(CONNECTORS)			
2	POLYESTER			
1	PS			

NO.	UNITS	MATERIAL	FINISH . REMARKS
3	mm		
2	2 : 1		
1			

NO.	SCALE	COUNT	DESCRIPTION OF REVISIONS	DESIGNED	CHECKED	DATE
1	2 : 1					

NO.	FINISH . REMARKS	NO.	MATERIAL	FINISH . REMARKS
3	(CONNECTORS)			
2	POLYESTER			
1	PS			

NO.	UNITS	MATERIAL	FINISH . REMARKS
3	mm		
2	2 : 1		
1			

NO.	SCALE	COUNT	DESCRIPTION OF REVISIONS	DESIGNED	CHECKED	DATE
1	2 : 1					

NO.	FINISH . REMARKS	NO.	MATERIAL	FINISH . REMARKS
3	(CONNECTORS)			
2	POLYESTER			
1	PS			

NO.	UNITS	MATERIAL	FINISH . REMARKS
3	mm		
2	2 : 1		
1			

NO.	SCALE	COUNT	DESCRIPTION OF REVISIONS	DESIGNED	CHECKED	DATE
1	2 : 1					

NO.	FINISH . REMARKS	NO.	MATERIAL	FINISH . REMARKS
3	(CONNECTORS)			
2	POLYESTER			
1	PS			

NO.	UNITS	MATERIAL	FINISH . REMARKS
3	mm		
2	2 : 1		
1			

NO.	SCALE	COUNT	DESCRIPTION OF REVISIONS	DESIGNED	CHECKED	DATE
1	2 : 1					

NO.	FINISH . REMARKS	NO.	MATERIAL	FINISH . REMARKS
3	(CONNECTORS)			
2	POLYESTER			
1	PS			

NO.	UNITS	MATERIAL	FINISH . REMARKS
3	mm		
2	2 : 1		
1			

NO.	SCALE	COUNT	DESCRIPTION OF REVISIONS	DESIGNED	CHECKED	DATE
1	2 : 1					

NO.	FINISH . REMARKS	NO.	MATERIAL	FINISH . REMARKS
3	(CONNECTORS)			
2	POLYESTER			
1	PS			

NO.	UNITS	MATERIAL	FINISH . REMARKS
3	mm		
2	2 : 1		
1			

NO.	SCALE	COUNT	DESCRIPTION OF REVISIONS	DESIGNED	CHECKED	DATE
1	2 : 1					

NO.	FINISH . REMARKS	NO.	MATERIAL	FINISH . REMARKS
3	(CONNECTORS)			
2	POLYESTER			
1	PS			

NO.	UNITS	MATERIAL	FINISH . REMARKS
3	mm		
2	2 : 1		
1			

NO.	SCALE	COUNT	DESCRIPTION OF REVISIONS	DESIGNED	CHECKED	DATE
1	2 : 1					