



Chipsmall Limited consists of a professional team with an average of over 10 year of expertise in the distribution of electronic components. Based in Hongkong, we have already established firm and mutual-benefit business relationships with customers from,Europe,America and south Asia,supplying obsolete and hard-to-find components to meet their specific needs.

With the principle of "Quality Parts,Customers Priority,Honest Operation,and Considerate Service",our business mainly focus on the distribution of electronic components. Line cards we deal with include Microchip,ALPS,ROHM,Xilinx,Pulse,ON,Everlight and Freescale. Main products comprise IC,Modules,Potentiometer,IC Socket,Relay,Connector.Our parts cover such applications as commercial,industrial, and automotives areas.

We are looking forward to setting up business relationship with you and hope to provide you with the best service and solution. Let us make a better world for our industry!



Contact us

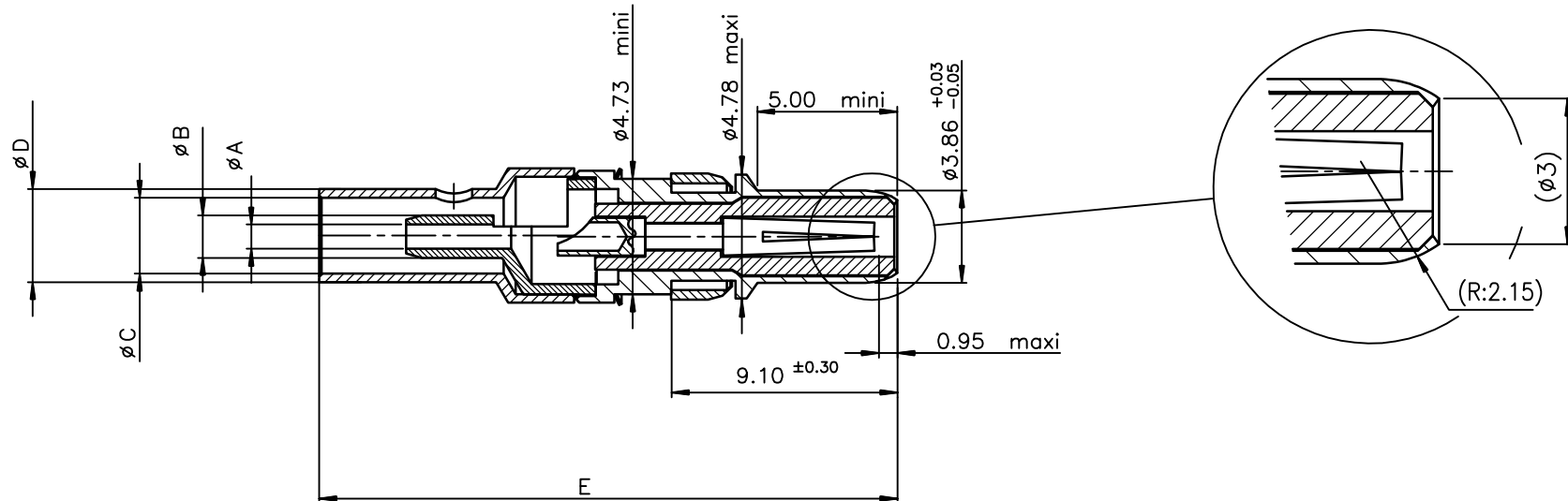
Tel: +86-755-8981 8866 Fax: +86-755-8427 6832

Email & Skype: info@chipsmall.com Web: www.chipsmall.com

Address: A1208, Overseas Decoration Building, #122 Zhenhua RD., Futian, Shenzhen, China



DM537405000NCLF	STRAIGHT MALE COAXIAL CONTACT	1.00	1.75	2.32	3.20	22.40	RG 178 B/U RG 196 A/U
DM537405008NCLF	STRAIGHT MALE COAXIAL CONTACT	1.00	1.75	2.32	3.20	23.60	RG 178 B/U RG 196 A/U
DM537405002NCLF	STRAIGHT MALE COAXIAL CONTACT	2.75	4.00	5.09	5.95	26.30	RG 195 A/U RG 180 B/U
PART NUMBER	DESIGNATION	$\phi A^{+0.10}_0$	$\phi B^{+0.00}_{-0.10}$	$\phi C^{+0.10}_0$	$\phi D^{\pm 0.10}$	(E)	CABLE REF.



ELECTRICAL CHARACTERISTICS

- Impedance: 50 Ohm
- Working frequency: 1GHz max
- Dielectric with standing voltage: 600V
- Insulation resistance 5000: 14 Ohm
- Contact resistance < 5 mOhm
- Insertion loss: < 0.2 dB

MECHANICAL CHARACTERISTICS

- Mating force per set of contact 0.4 N to 9 N
- Mating endurance 500
- Temperature -55°C to +125 °C

TOOLING

- Coaxial contact extraction tool 8630-07A

NOTE:RoHS INFORMATIONS

- The "LF" product meets European union Directives and other country regulations as described in GS-22-008.
- The product is not intended to be exposed to a manufacturing solder process.
- Packaging spec: see GS-14-920.



Copyright FCJ.

rev	ecn no	dr	date
A	LS05-0086	MPE	2005/10/14
B	LS05-0107	MPE	2005/12/20
C	LS06-0101	MPE	2006/06/29
D	LS07-0001	MPE	2007/01/02
E	F10-0086	LSA	2010/08/20
-	-	-	-
-	-	-	-

www.fciconnect.com		surface ISO 1302 ✓	tolerance std ISO 406 ISO 1101	projection A3	mm Scale 5
TOLERANCES UNLESS OTHERWISE SPECIFIED					
Dr	PESSON	2005/10/14	ANGULAR	0.X	± 0.1
Eng	PESSON	2005/10/14	LINEAR	0.XX	± 0.1
Chr	LEGARE	2005/10/14	0.XX ± 2	0.XXX	± 0.1
Appr	LEGARE	2005/10/14	Product family		D-SUB
title STRAIGHT MALE COAX CONTACT				size F10-0086	
title SOLDER TO CABLE				ECN F10-0086	
catalog no				D-SUB Spec ref -	
FCJ				dwg no C01-8639-2154	
Rev.				E	
CUSTOMER				sheet 1 of 1	

REV F - 2006-04-17

PDM: Rev:E

STATUS: Released

Printed: Mar 30, 2011