



Chipsmall Limited consists of a professional team with an average of over 10 year of expertise in the distribution of electronic components. Based in Hongkong, we have already established firm and mutual-benefit business relationships with customers from,Europe,America and south Asia,supplying obsolete and hard-to-find components to meet their specific needs.

With the principle of “Quality Parts,Customers Priority,Honest Operation,and Considerate Service”,our business mainly focus on the distribution of electronic components. Line cards we deal with include Microchip,ALPS,ROHM,Xilinx,Pulse,ON,Everlight and Freescale. Main products comprise IC,Modules,Potentiometer,IC Socket,Relay,Connector.Our parts cover such applications as commercial,industrial, and automotives areas.

We are looking forward to setting up business relationship with you and hope to provide you with the best service and solution. Let us make a better world for our industry!



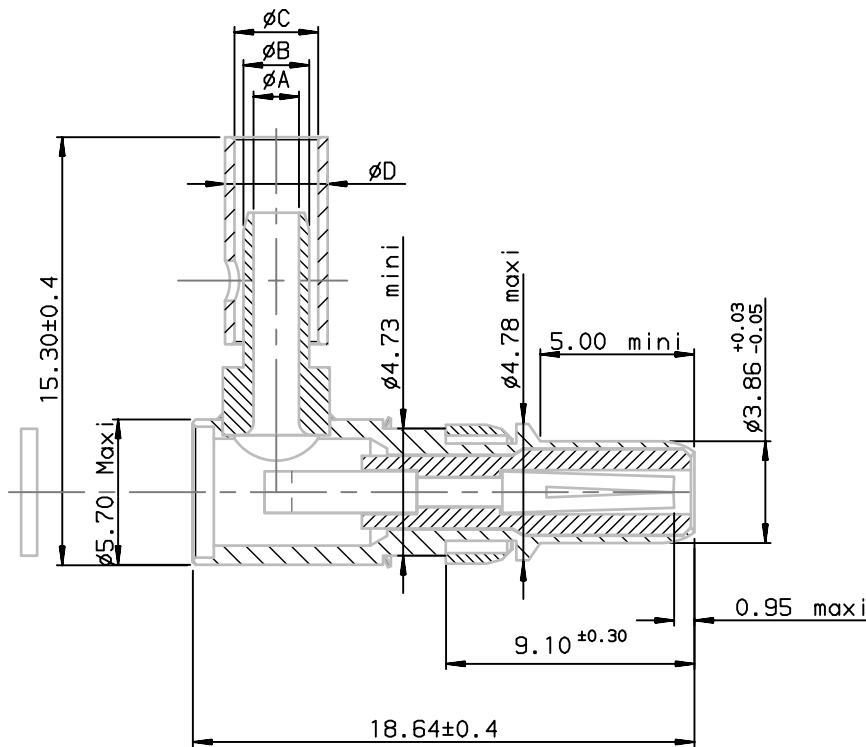
Contact us

Tel: +86-755-8981 8866 Fax: +86-755-8427 6832

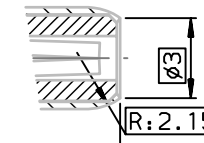
Email & Skype: info@chipsmall.com Web: www.chipsmall.com

Address: A1208, Overseas Decoration Building, #122 Zhenhua RD., Futian, Shenzhen, China





ACTIVE ZONE



ELECTRICAL CHARACTERISTICS

- Impedance: 500HMS
- Working frequency: 1GHz max
- Dielectric with standing voltage: 600V
- Insulation resistance 5000: 14 OHMS
- Contact resistance ≤ 5 m OHMS
- Insertion lost: ≤ 0.2 dB

MECHANICAL CHARACTERISTICS

- Mating force per set of contact 0.4 N to 9 N
- Mating endurance 500
- Temperature -55° to +125 °C

TOOLING

- Coaxial contact extraction tool 8630-07A

DM537415004NCLF	COAXIAL CONTACT MALE ANGLE	3.15	4	5.09	5.95	RG 58 CU KX 15
DM537415001NCLF	COAXIAL CONTACT MALE ANGLE	1.70	2.46	3	3.84	RG 179 BU RG 316 BU KX22A
PART NUMBER	Designation	$\phi A^{+0.10}_0$	$\phi B^{\pm 0.05}$	$\phi C^{\pm 0.20}$	$\phi D^{\pm 0.15}$	Ref Wire

NOTE:RoHS INFORMATIONS

- The "LF" product meets European union Directives and other country regulations as described in GS-22-008.
- The product is not intended to be exposed to a manufacturing solder process.
- Packaging spec: see GS-14-920.

rev	ecn no	dr	date
A	LS05-0086	MPE	2005/10/14
B	LS05-0107	MPE	2005/12/20
C	LS07-0001	LGO	2007/01/09
-	-	-	-
-	-	-	-
-	-	-	-

www.fciconnect.com		surface ISO 1302 ✓	tolerance std ISO 406 ISO 1101	projection mm	TOLERANCES UNLESS OTHERWISE SPECIFIED		size A3	Scale 5
Dr	PESSON	2005/10/14	ANGULAR	LINEAR	0.X	±0.1	ECN	LS07-0001
Eng	PESSON	2005/10/14	0.XX	±0.1	0.XXX	±0.1	Spec ref	-
Chr	LEGARE	2005/10/14	0.XX' ±2'	Product family	D-SUB			
Appr	LEGARE	2005/10/14						
FCI		COAXIAL CONTACT MALE ANGLED			title Solder type		dwg no C01-8639-2156	
catalog no		-		CUSTOMER		sheet 1 of 1		

European Views