



Chipsmall Limited consists of a professional team with an average of over 10 year of expertise in the distribution of electronic components. Based in Hongkong, we have already established firm and mutual-benefit business relationships with customers from,Europe,America and south Asia,supplying obsolete and hard-to-find components to meet their specific needs.

With the principle of “Quality Parts,Customers Priority,Honest Operation,and Considerate Service”,our business mainly focus on the distribution of electronic components. Line cards we deal with include Microchip,ALPS,ROHM,Xilinx,Pulse,ON,Everlight and Freescale. Main products comprise IC,Modules,Potentiometer,IC Socket,Relay,Connector.Our parts cover such applications as commercial,industrial, and automotives areas.

We are looking forward to setting up business relationship with you and hope to provide you with the best service and solution. Let us make a better world for our industry!



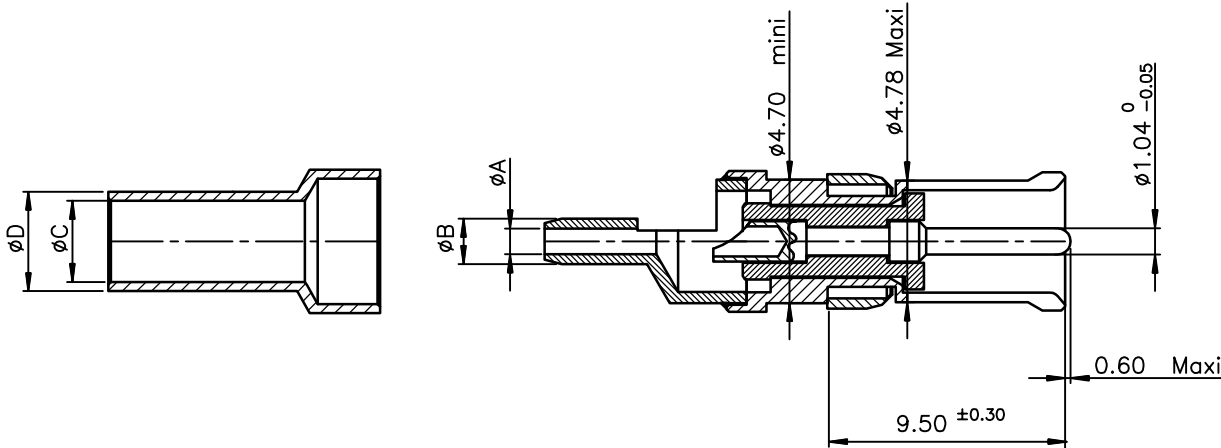
Contact us

Tel: +86-755-8981 8866 Fax: +86-755-8427 6832

Email & Skype: info@chipsmall.com Web: www.chipsmall.com

Address: A1208, Overseas Decoration Building, #122 Zhenhua RD., Futian, Shenzhen, China





ELECTRICAL CHARACTERISTICS

- Impedance: 50 Ohm
- Working frequency: 1GHz max
- Dielectric with standing voltage: 600V
- Insulation resistance 5000: 14 Ohm
- Contact resistance < 5 mOhm
- Insertion lost: < 0.2 dB

MECHANICAL CHARACTERISTICS

- Mating force per set of contact 0.4 N to 9 N
- Mating endurance 500
- Temperature -55° to +125 °C

TOOLING

- Coaxial contact extraction tool 8630-07A

DM53742NCLF	STRAIGHT SOCKET COAXIAL CONTACT	1.00	1.75	2.32	3.20	RG 178 B/U RG 196 A/U
DM537423NCLF	STRAIGHT SOCKET COAXIAL CONTACT	2.75	4.00	4.40	5.45	RG 180 B/U RG 195 A/U
DM537421NCLF	STRAIGHT SOCKET COAXIAL CONTACT	1.70	2.46	3.13	3.84	RG 188 A/U RG 179 B/U RG 316 U
Part Number	Designation	ϕA ^{+0.10} ₀	ϕB ^{±0.05}	ϕC ^{+0.10} ₀	ϕD ^{±0.10}	Ref cable

NOTE:RoHS INFORMATIONS

- The "LF" product meets European union Directives and other country regulations as described in GS-22-008.
- The product is not intended to be exposed to a manufacturing solder process.
- Packaging spec: see GS-14-920.

rev	ecn no	dr	date
A	LS05-0086	MPE	2005/10/12
B	LS05-0107	MPE	2005/12/20
C	LS07-0001	MPE	2007/01/09
D	F10-0086	LSA	2010/08/06
-	-	-	-
-	-	-	-
-	-	-	-

www.fciconnect.com		surface ISO 1302	tolerance std ISO 406 ISO 1101	projection ISO 1101	mm
TOLERANCES UNLESS OTHERWISE SPECIFIED					
Dr	PESSON	2005/10/12	ANGULAR	0.X	±0.1
Eng	PESSON	2005/10/12	LINEAR	0.XX	±0.1
Chr	LEGARE	2005/10/12	0.XX ±2	0.XXX	±0.1
Appr	LEGARE	2005/10/12	Product family	D-SUB	Spec ref -
FCI		title STRAIGHT SOCKET COAXIAL CONTACT CRIMP TO CABLE		dwg no C01-8639-2146	Rev. D
catalog no		-		CUSTOMER	sheet 1 of 1