



Chipsmall Limited consists of a professional team with an average of over 10 year of expertise in the distribution of electronic components. Based in Hongkong, we have already established firm and mutual-benefit business relationships with customers from,Europe,America and south Asia,supplying obsolete and hard-to-find components to meet their specific needs.

With the principle of “Quality Parts,Customers Priority,Honest Operation,and Considerate Service”,our business mainly focus on the distribution of electronic components. Line cards we deal with include Microchip,ALPS,ROHM,Xilinx,Pulse,ON,Everlight and Freescale. Main products comprise IC,Modules,Potentiometer,IC Socket,Relay,Connector.Our parts cover such applications as commercial,industrial, and automotives areas.

We are looking forward to setting up business relationship with you and hope to provide you with the best service and solution. Let us make a better world for our industry!



Contact us

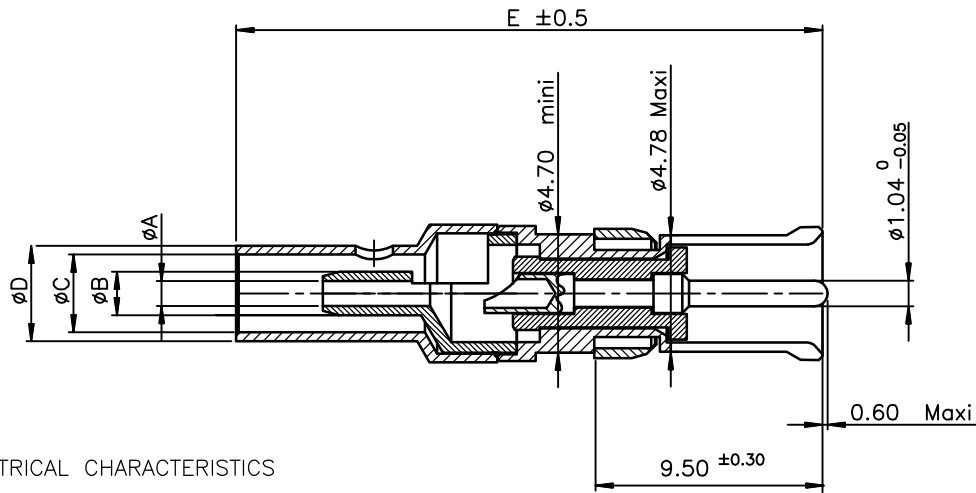
Tel: +86-755-8981 8866 Fax: +86-755-8427 6832

Email & Skype: info@chipsmall.com Web: www.chipsmall.com

Address: A1208, Overseas Decoration Building, #122 Zhenhua RD., Futian, Shenzhen, China



DM537425000NCLF	STRAIGHT SOCKET COAXIAL CONTACT	1.00	1.75	2.32	3.20	22.30	RG 178 B/U RG 196 A/U
DM537425002NCLF	STRAIGHT SOCKET COAXIAL CONTACT	2.75	4.00	5.09	5.95	26.80	RG 195 A/U RG 180 B/U
DM537425004NCLF	STRAIGHT SOCKET COAXIAL CONTACT	3.15	4.00	5.09	5.95	26.80	RG 58 C/U
DM537425006NCLF	STRAIGHT SOCKET COAXIAL CONTACT	0.98	1.77	2.30	3.22	24.10	RG 178 B/U RG 196 A/U
DM537425001NCLF	STRAIGHT SOCKET COAXIAL CONTACT	1.70	2.46	3.13	3.84	24.10	RG 188 A/U RG 179 B/U RG 316 /U
PART NUMBER	DESIGNATION	$\phi A^{+0.10}_0$	$\phi B^{\pm 0.05}$	$\phi C^{+0.10}_0$	$\phi D^{\pm 0.10}$	E	CABLE REF.



NOTE:RoHS INFORMATIONS

- The "LF" product meets European union Directives and other country regulations as described in GS-22-008.
- The product is not intended to be exposed to a manufacturing solder process.
- Packaging spec: see GS-14-920.

ELECTRICAL CHARACTERISTICS

- Impedance: 50 Ohm
- Working frequency: 1GHz max
- Dielectric with standing voltage: 600V
- Insulation resistance 5000: 14 Ohm
- Contact resistance < 5 mOhm
- Insertion lost: < 0.2 dB

MECHANICAL CHARACTERISTICS

- Mating force per set of contact 0.4 N to 9 N
- Mating endurance 500
- Temperature -55°C to +125 °C

TOOLING

- Coaxial contact extraction tool 8630-07A

www.fciconnect.com		surface ISO 1302 ✓	tolerance std ISO 406 ISO 1101	projection mm
TOLERANCES UNLESS OTHERWISE SPECIFIED				
Dr	PESSON	2005/10/14	ANGULAR	0.X ±0.1
Eng	PESSON	2005/10/14	LINEAR	0.XX ±0.1
Chr	LEGARE	2005/10/14	0.XX ±Z	0.XXX ±0.1
Appr	LEGARE	2005/10/14	Product family	D-SUB
size				A3
Scale				5
ECN				F10-0086
Spec ref				-
title		STRAIGHT SOCKET COAXIAL CONTACT		Rev.
SOLDER TO CABLE		dwg no		C01-8639-2157
catalog no		CUSTOMER		sheet 1 of 1

rev	ecn no	dr	date
A	LS05-0086	MPE	2005/10/14
B	LS05-0107	MPE	2005/12/20
C	LS07-000	LGO	2007/01/09
D	F10-0086	LSA	2010/08/20
-	-	-	-
-	-	-	-
-	-	-	-



Copyright FCI.