



Chipsmall Limited consists of a professional team with an average of over 10 year of expertise in the distribution of electronic components. Based in Hongkong, we have already established firm and mutual-benefit business relationships with customers from,Europe,America and south Asia,supplying obsolete and hard-to-find components to meet their specific needs.

With the principle of “Quality Parts,Customers Priority,Honest Operation,and Considerate Service”,our business mainly focus on the distribution of electronic components. Line cards we deal with include Microchip,ALPS,ROHM,Xilinx,Pulse,ON,Everlight and Freescale. Main products comprise IC,Modules,Potentiometer,IC Socket,Relay,Connector.Our parts cover such applications as commercial,industrial, and automotives areas.

We are looking forward to setting up business relationship with you and hope to provide you with the best service and solution. Let us make a better world for our industry!



Contact us

Tel: +86-755-8981 8866 Fax: +86-755-8427 6832

Email & Skype: info@chipsmall.com Web: www.chipsmall.com

Address: A1208, Overseas Decoration Building, #122 Zhenhua RD., Futian, Shenzhen, China



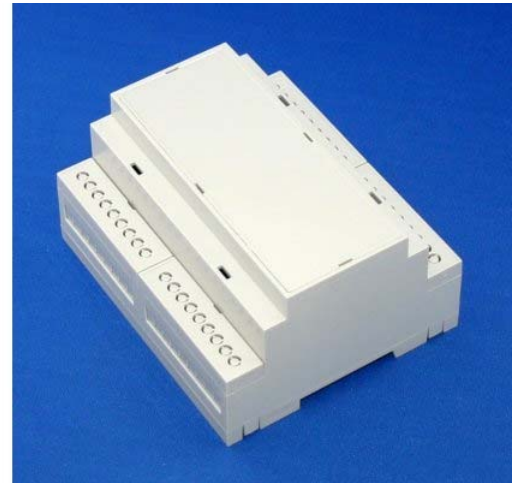
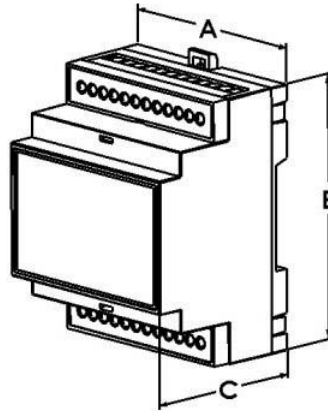


PRODUCTS

Large Cabinet Racks
Communications Cabinets/Racks

- ▶
- ▶
- ▶ Cabinets
- ▶ Open Racks
- ▶ Chassis
- ▶ Small Metal Enclosures
- ▶ Die Cast Boxes
- ▶ Plastic Boxes
- ▶ NEMA Boxes (Water-tight Plastic and Fiberglass)
- ▶ NEMA Boxes (Water-tight Sheet Metal)
- ▶ NEMA Boxes (Water-tight Aluminum)
- ▶ Accessories
- ▶ Brackets
- ▶ Custom Products

DIN Rail Mount Multi-Board Box




Plastic PC mount terminal boxes with DIN rail mounting and snap-in multiple board capacity with easy access to board terminals.


Design Features

- Durable UL94V-0 rated ABS/PC blend plastic housing
- Three levels of PC board mounting locations - PC boards not supplied
- Bottom level accepts PC board with modular type terminals on 0.2" centers
- Removable terminal guards have snap-off tabs to match number of terminals used
- Snap-fit design allows tool-less assembly of all parts including PC boards
- Snap-fit front cover is easily removable for machining or silk-screening
- Optional clear and infra red polycarbonate covers available
- Fits standard 35mm DIN rail
- Finish: Light Gray



DIN RAIL MOUNT MULTI-BOARD BOX									
Catalog Number	Drawings	Number of PCB Terminals*	External Dimensions (Inches)			Weight Ozs.	Optional Clear Front Cover	Optional Infra Red Front Cover	Replacement Terminal Guards (Pair)
			A	B	C				
DMB-4770	PDF DXF	12 (6/6)	1.43	3.55	2.25	1.5	DMB-4770-CC	DMB-4770-IRC	DMB-4760-TG
DMB-4771	PDF DXF	18 (9/9)	2.10	3.55	2.25	1.9	DMB-4771-CC	DMB-4771-IRC	DMB-4761-TG
DMB-4772	PDF DXF	24 (12/12)	2.80	3.55	2.26	2.3	DMB-4772-CC	DMB-4772-IRC	DMB-4762-TG
DMB-4773	PDF DXF	36 (9x2)/(9x2)	4.18	3.55	2.26	3.3	DMB-4773-CC	DMB-4773-IRC	DMB-4761-TG

DMB-4774		54 (9x3)/(9x3)	6.28	3.55	2.26	4.6	DMB-4774-CC	DMB-4774-IRC	DMB-4761-TG
Replacement Mounting Clip: DMB-4764-MC									
* PCB and PCB terminals not supplied.									

 Autocad DXF Specifications File
(Requires CAD software such as AutoCAD)

 Adobe PDF Specifications File



[Download PDF Viewer](#)



4605 E. 355th Street • Willoughby, Ohio 44094
Phone: 440.946.3200 • Fax: 440.951.4015
email: saleseast@budind.com

[HOME](#) / [ABOUT US](#) / [PRODUCTS](#) / [DISTRIBUTORS](#) / [REPRESENTATIVES](#) / [WHAT'S NEW](#) / [CONTACT](#)
[RoHS LIST](#) / [STANDARD COLORS](#) / [WARRANTY](#)