



Chipsmall Limited consists of a professional team with an average of over 10 year of expertise in the distribution of electronic components. Based in Hongkong, we have already established firm and mutual-benefit business relationships with customers from,Europe,America and south Asia,supplying obsolete and hard-to-find components to meet their specific needs.

With the principle of “Quality Parts,Customers Priority,Honest Operation,and Considerate Service”,our business mainly focus on the distribution of electronic components. Line cards we deal with include Microchip,ALPS,ROHM,Xilinx,Pulse,ON,Everlight and Freescale. Main products comprise IC,Modules,Potentiometer,IC Socket,Relay,Connector.Our parts cover such applications as commercial,industrial, and automotives areas.

We are looking forward to setting up business relationship with you and hope to provide you with the best service and solution. Let us make a better world for our industry!



Contact us

Tel: +86-755-8981 8866 Fax: +86-755-8427 6832

Email & Skype: info@chipsmall.com Web: www.chipsmall.com

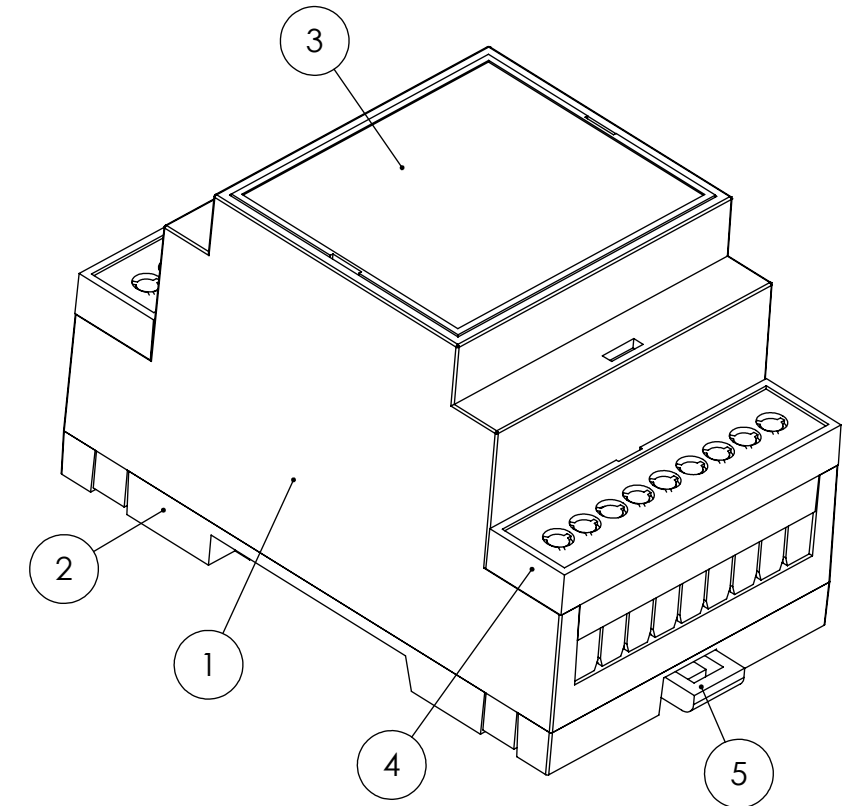
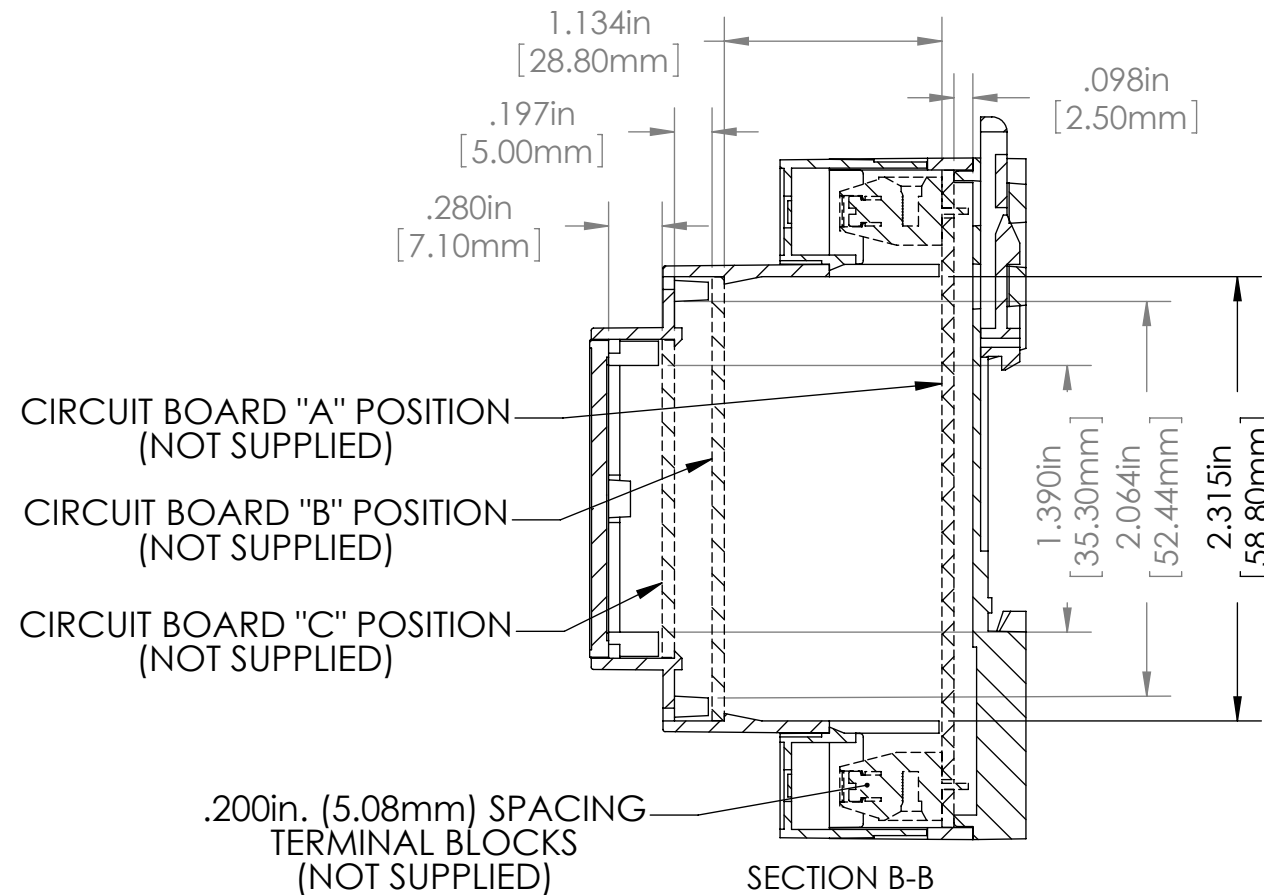
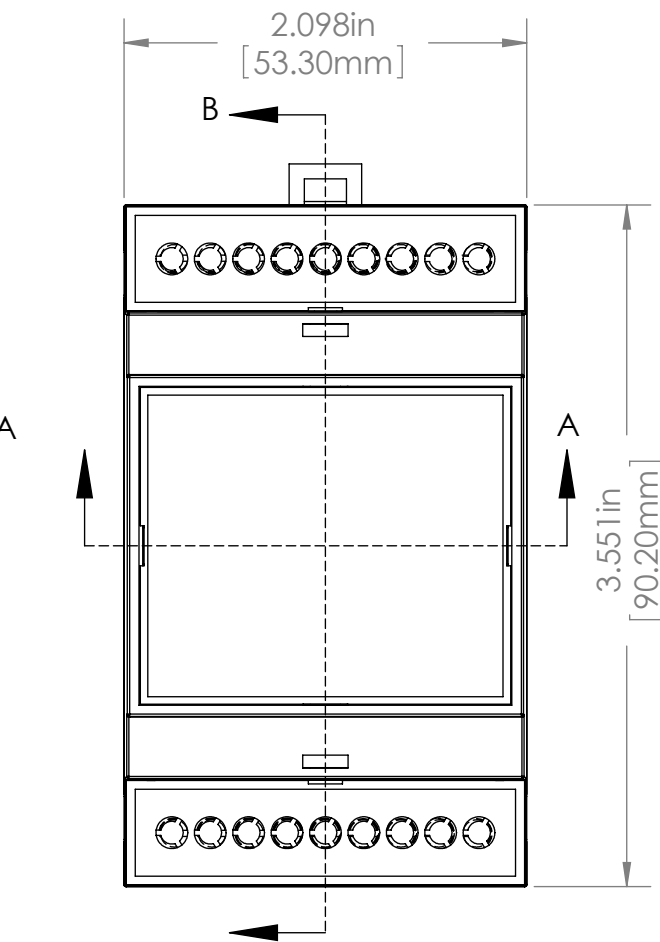
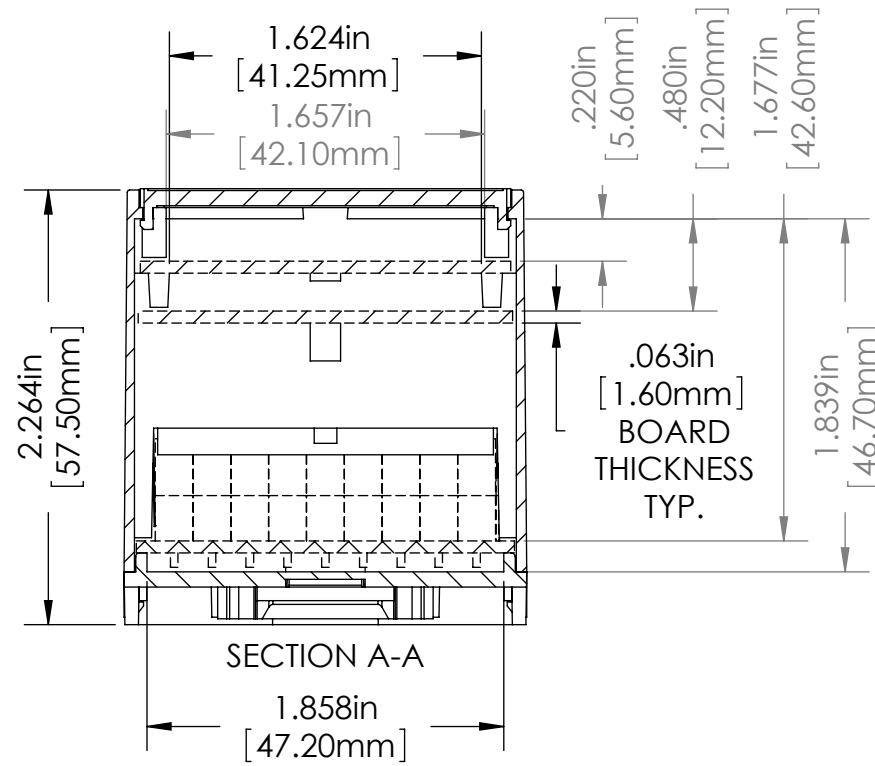
Address: A1208, Overseas Decoration Building, #122 Zhenhua RD., Futian, Shenzhen, China



THE INFORMATION CONTAINED IN THIS DRAWING IS THE SOLE PROPERTY OF BUD INDUSTRIES INC. ANY REPRODUCTION IN PART OR WHOLE WITHOUT THE WRITTEN PERMISSION OF BUD INDUSTRIES INC. IS PROHIBITED.

ITEM NO.	DESCRIPTION	MATERIAL	COLOR	QTY.
1	BODY	PC/ABS UL94V-0	GRAY	1
2	BASE	PC/ABS UL94V-0	GRAY	1
3	COVER	PC/ABS UL94V-0	GRAY	1
4	GUARD	PC/ABS UL94V-0	GRAY	2
5	MOUNTING CLIP	NYLON 66	DARK GRAY	1

DWG. NO.	DMB-4771
ISSUE	REVISIONS
(A)	REVISIONS 12-6-10 DAB

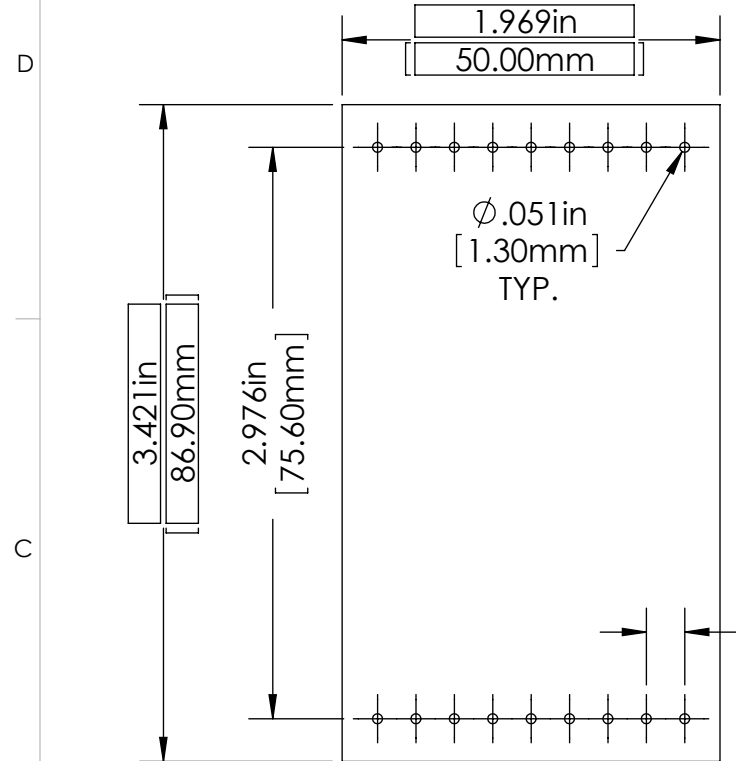


OPTIONAL ACCESSORIES / REPLACEMENT PARTS	PART NUMBER
CLEAR POLYCARBONATE COVER	DMB-4771-CC
INFRA-RED COVER	DMB-4771-IRC
TERMINAL GUARD (PACK OF 2)	DMB-4761-TG
MOUNTING CLIP	DMB-4764-MC

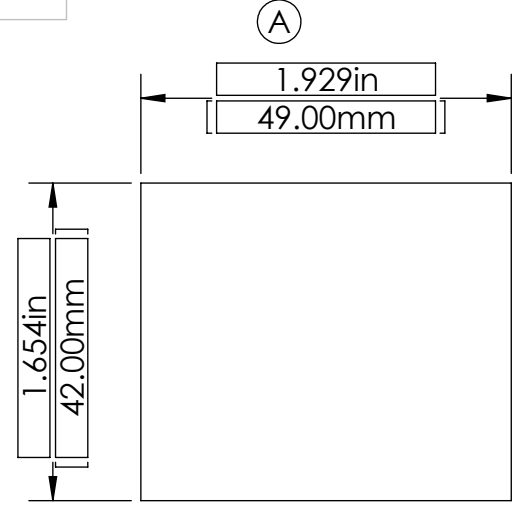
TOLERANCES:		PARTS LIST		BUD INDUSTRIES INC.
+/- .005 BETWEEN HOLE CENTERS	CAD GENERATED DRAWING, DO NOT MANUALLY UPDATE	APPROVALS	DATE	
+/- .015 FROM SHEARED EDGE		DH	7/26/10	
+/- .032 FROM A BENT SURFACE		CHECKED		SIZE DWG. NO. DMB-4771
+/- .062 BETWEEN ASSEMBLED SURFACES		APPROVED		SCALE CAD FILE: SHEET 1 OF 2
UNLESS OTHERWISE SPECIFIED MATERIAL AS NOTED				
FINISH AS NOTED				
DO NOT SCALE DRAWING				

THE INFORMATION CONTAINED IN THIS DRAWING IS THE SOLE PROPERTY OF
 BUD INDUSTRIES INC. ANY REPRODUCTION IN PART OR WHOLE WITHOUT
 THE WRITTEN PERMISSION OF BUD INDUSTRIES INC. IS PROHIBITED.

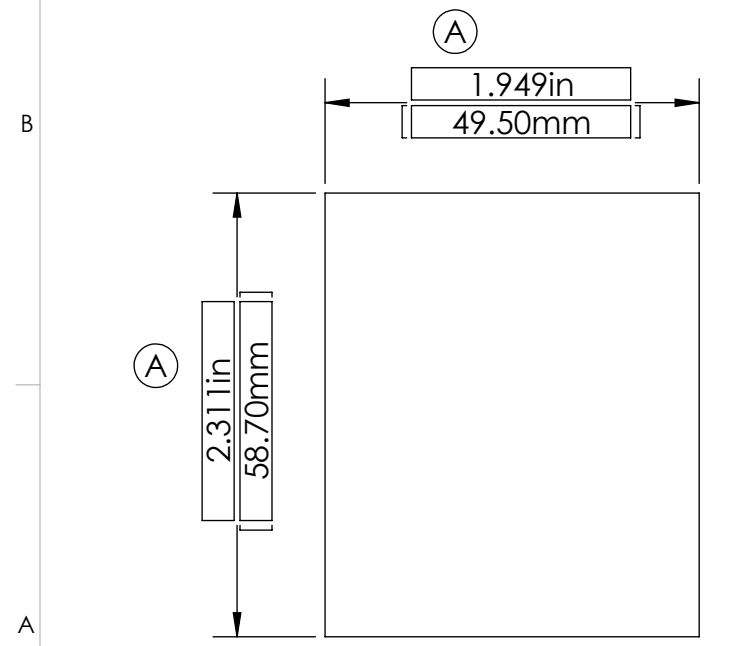
DWG. NO.	DMB-4771	
ISSUE	REVISIONS	
(A)	SEE SHEET 1	



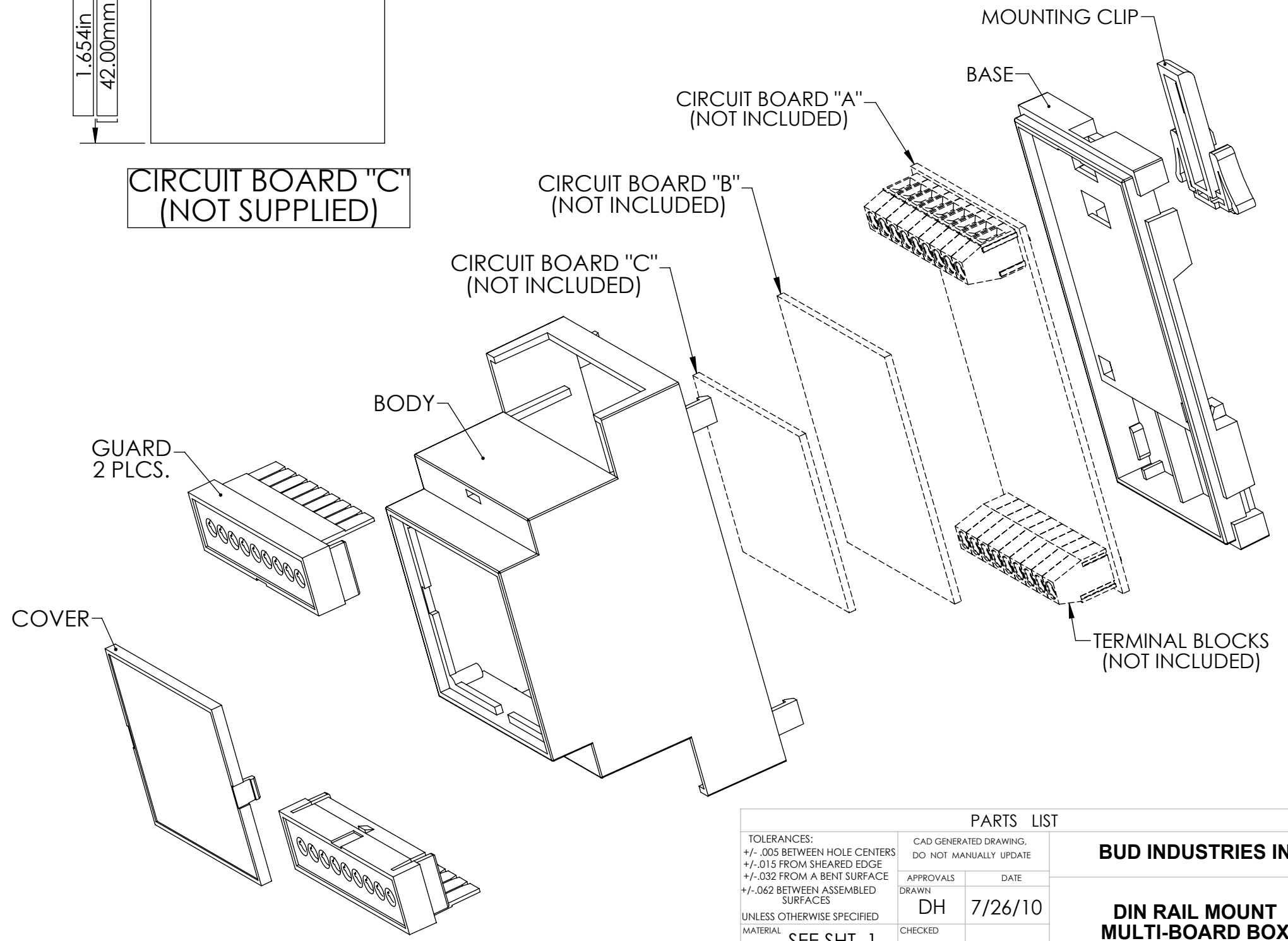
CIRCUIT BOARD "A"
(NOT SUPPLIED)



CIRCUIT BOARD "C"
(NOT SUPPLIED)



CIRCUIT BOARD "B"
(NOT SUPPLIED)



TOLERANCES:		PARTS LIST		BUD INDUSTRIES INC.
+/- .005 BETWEEN HOLE CENTERS	UNLESS OTHERWISE SPECIFIED	CAD GENERATED DRAWING, DO NOT MANUALLY UPDATE	APPROVALS	
+/- .015 FROM SHEARED EDGE			DH	7/26/10
+/- .032 FROM A BENT SURFACE			CHECKED	
+/- .062 BETWEEN ASSEMBLED SURFACES			APPROVED	
FINISH	SEE SHT. 1			
DO NOT SCALE DRAWING				
SIZE	DWG. NO.	SCALE		REV.
B	DMB-4771	1		
			CAD FILE:	SHEET 2 OF 2