



Chipsmall Limited consists of a professional team with an average of over 10 year of expertise in the distribution of electronic components. Based in Hongkong, we have already established firm and mutual-benefit business relationships with customers from,Europe,America and south Asia,supplying obsolete and hard-to-find components to meet their specific needs.

With the principle of “Quality Parts,Customers Priority,Honest Operation,and Considerate Service”,our business mainly focus on the distribution of electronic components. Line cards we deal with include Microchip,ALPS,ROHM,Xilinx,Pulse,ON,Everlight and Freescale. Main products comprise IC,Modules,Potentiometer,IC Socket,Relay,Connector.Our parts cover such applications as commercial,industrial, and automotives areas.

We are looking forward to setting up business relationship with you and hope to provide you with the best service and solution. Let us make a better world for our industry!



Contact us

Tel: +86-755-8981 8866 Fax: +86-755-8427 6832

Email & Skype: info@chipsmall.com Web: www.chipsmall.com

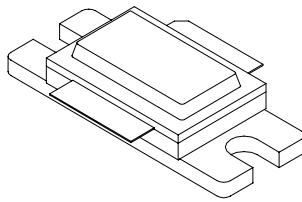
Address: A1208, Overseas Decoration Building, #122 Zhenhua RD., Futian, Shenzhen, China



DME800

800 Watts, 50 Volts

Pulsed Avionics 1025 to 1150 MHz

<p>GENERAL DESCRIPTION</p> <p>The DME800 is a high power COMMON BASE bipolar transistor. It is designed for pulsed DME systems at 1025 to 1150 MHz, with the pulse width and duty required for DME applications. The device has gold thin-film metalization for proven highest MTTF. The transistor includes input and output prematch for broadband capability. Low thermal resistance package reduces junction temperature, extends life.</p>	<p>CASE OUTLINE 55ST-1 (Common Base)</p> 
<p>ABSOLUTE MAXIMUM RATINGS</p> <p>Maximum Power Dissipation Device Dissipation @25°C¹ 2500 W</p> <p>Maximum Voltage and Current Collector to Base Voltage (BV_{ces}) 65 V Emitter to Base Voltage (BV_{ebo}) 3 V Collector Current (I_c) 50 A</p> <p>Maximum Temperatures Storage Temperature -65 to +200 °C Operating Junction Temperature +200 °C</p>	

ELECTRICAL CHARACTERISTICS @ 25°C

SYMBOL	CHARACTERISTICS	TEST CONDITIONS	MIN	TYP	MAX	UNITS
P _{out}	Power Out	Pulse Width = 10 μs, Pin = 100 Watts V _{cc} = 50 Volts F = 1025-1150 MHz Long Term Duty Factor = 1%	800		1000	W
P _g	Power Gain		9.0		10.0	dB
η _c	Collector Efficiency		40			%
R _L	Return Loss		-9			dB
Tr	Rise Time				200	ns
Pd	Pulse Droop				0.7	dB
VSWR	Load Mismatch Tolerance ¹		F = 1025 MHz	3.0:1		

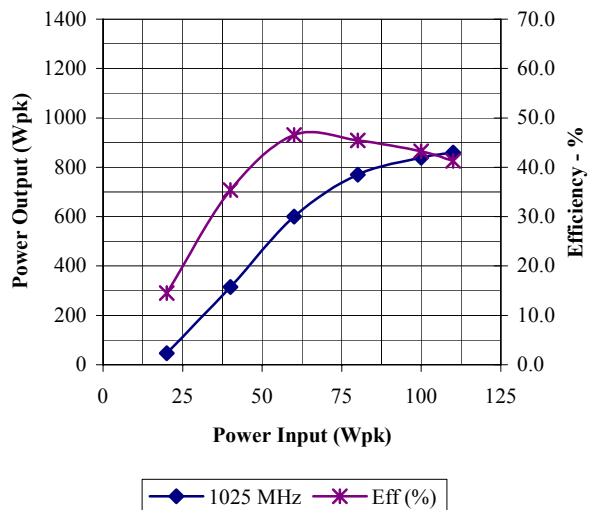
FUNCTIONAL CHARACTERISTICS @ 25°C

BV _{ebo}	Emitter to Base Breakdown	I _c = 20 mA	3.5			V
BV _{ces}	Collector to Emitter Breakdown	I _c = 50 mA	65			V
h _{FE}	DC – Current Gain	V _{ce} = 5V, I _c = 600mA	20			
θ _{jc} ²	Thermal Resistance			0.04	0.06	°C/W

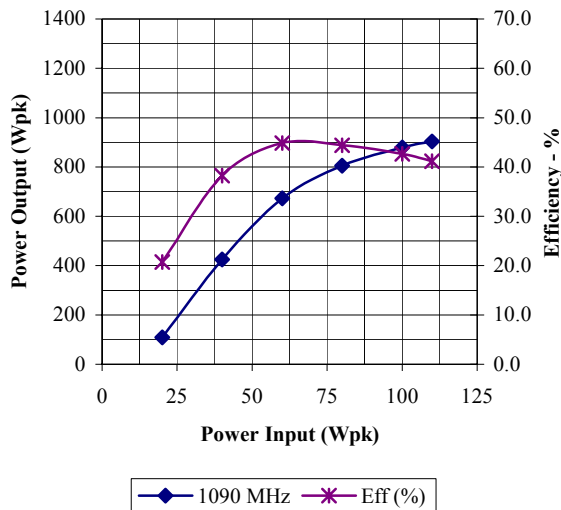
NOTES: 1. At rated output power and pulse conditions
2. At rated pulse conditions

Issued June 2003

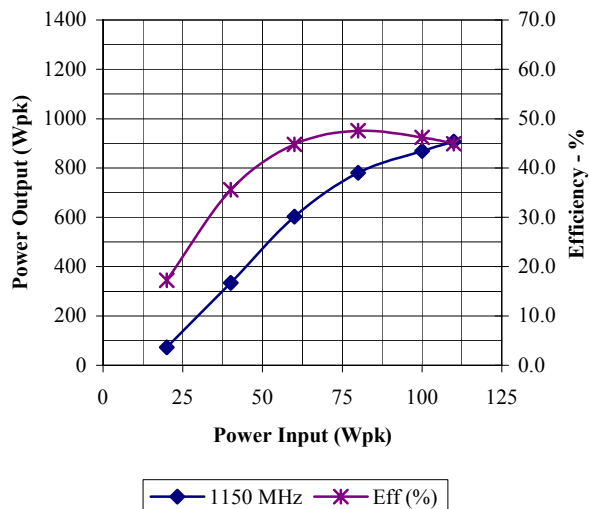
Power Output & Efficiency vs. Power Input
F=1025 MHz

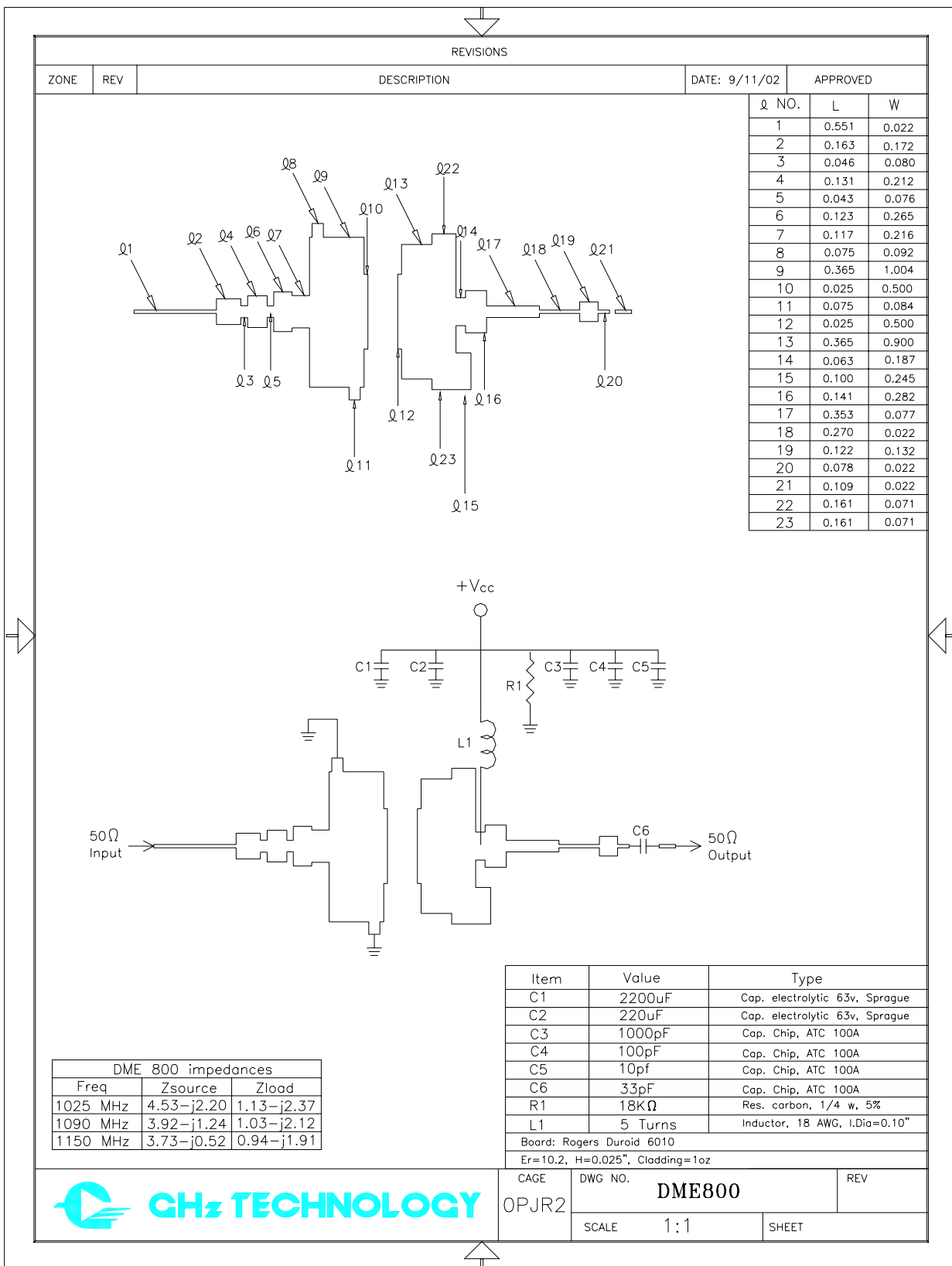


Power Output & Efficiency vs. Power Input
F=1090 MHz



Power Output & Efficiency vs. Power Input
F = 1150 MHz





REVISIONS			DATE: 9/11/02	APPROVED
ZONE	REV	DESCRIPTION		

Q NO.	L	W
1	0.551	0.022
2	0.163	0.172
3	0.046	0.080
4	0.131	0.212
5	0.043	0.076
6	0.123	0.265
7	0.117	0.216
8	0.075	0.092
9	0.365	1.004
10	0.025	0.500
11	0.075	0.084
12	0.025	0.500
13	0.365	0.900
14	0.063	0.187
15	0.100	0.245
16	0.141	0.282
17	0.353	0.077
18	0.270	0.022
19	0.122	0.132
20	0.078	0.022
21	0.109	0.022
22	0.161	0.071
23	0.161	0.071

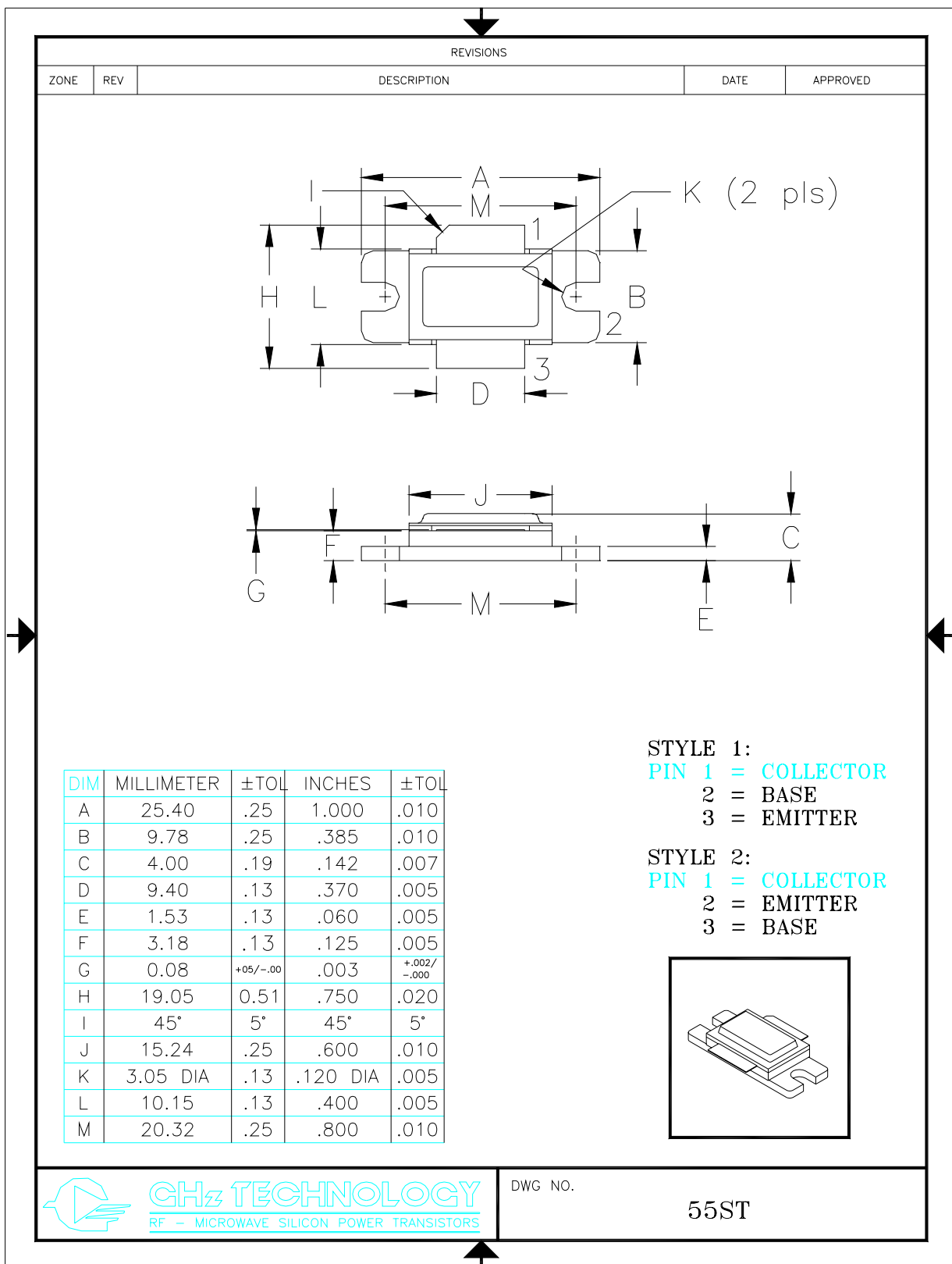
DME 800 impedances		
Freq	Zsource	Zload
1025 MHz	4.53-j2.20	1.13-j2.37
1090 MHz	3.92-j1.24	1.03-j2.12
1150 MHz	3.73-j0.52	0.94-j1.91

Item	Value	Type
C1	2200uF	Cap. electrolytic 63v, Sprague
C2	220uF	Cap. electrolytic 63v, Sprague
C3	1000pF	Cap. Chip, ATC 100A
C4	100pF	Cap. Chip, ATC 100A
C5	10pf	Cap. Chip, ATC 100A
C6	33pF	Cap. Chip, ATC 100A
R1	18KΩ	Res. carbon, 1/4 w, 5%
L1	5 Turns	Inductor, 18 AWG, I.Dia=0.10"

Board: Rogers Duroid 6010
Er=10.2, H=0.025", Cladding=1oz



CAGE	DWG NO.	REV
0PJR2	DME800	
SCALE	1:1	SHEET



GHz TECHNOLOGY
 RF - MICROWAVE SILICON POWER TRANSISTORS

DWG NO.

55ST