



Chipsmall Limited consists of a professional team with an average of over 10 year of expertise in the distribution of electronic components. Based in Hongkong, we have already established firm and mutual-benefit business relationships with customers from,Europe,America and south Asia,supplying obsolete and hard-to-find components to meet their specific needs.

With the principle of “Quality Parts,Customers Priority,Honest Operation,and Considerate Service”,our business mainly focus on the distribution of electronic components. Line cards we deal with include Microchip,ALPS,ROHM,Xilinx,Pulse,ON,Everlight and Freescale. Main products comprise IC,Modules,Potentiometer,IC Socket,Relay,Connector.Our parts cover such applications as commercial,industrial, and automotives areas.

We are looking forward to setting up business relationship with you and hope to provide you with the best service and solution. Let us make a better world for our industry!



Contact us

Tel: +86-755-8981 8866 Fax: +86-755-8427 6832

Email & Skype: info@chipsmall.com Web: www.chipsmall.com

Address: A1208, Overseas Decoration Building, #122 Zhenhua RD., Futian, Shenzhen, China



Discontinued



FEATURES

- Self-powered, 2-wire operation
- +18.0 to +90.0Vdc or +50.0 to +150.0Vdc ranges
- Ideal for 42V automotive systems and 120V chargers
- Reverse polarity protected; 0.1V resolution
- Built-in "VDC" annunciator
- Large (0.37"/9.4mm) LCD displays
- Subminiature 1.38" x 0.88" x 0.66" packages
- Rugged, ABS package

Functional Specifications

Input

Voltage Range: ①

DMS-20LCD-2-DCM	+18.0 to +90.0Vdc
DMS-20LCD-3-DCM	+50.0 to +150.0Vdc

Max. Current Consumption:

DMS-20LCD-2-DCM	2mA @ +50V, 3mA @ +90V
DMS-20LCD-3-DCM	1.5mA @ +100V, 2mA @ +150V

Performance

Sampling Rate 2.5 readings/second

Accuracy @ +25°C:

DMS-20LCD-2-DCM	±0.1V (typ.), ±0.3V (max.)
DMS-20LCD-3-DCM	±0.2V (typ.), ±0.4V (max.)

Temperature Drift (0 to +60°C):

DMS-20LCD-2-DCM	±0.3 counts/°C (max.)
DMS-20LCD-3-DCM	±0.4 counts/°C (max.)

Mechanical

Display Type:

DMS-20LCD-2-DCM	3 digit LCD, 0.37"/9.4mm high
DMS-20LCD-3-DCM	3½ digit LCD, 0.37"/9.4mm high

Weight 0.5 ounce (14 grams)

Case Material ABS

Environmental ②

Operating Temperature 0 to +60°C

Storage Temperature -20 to +75°C

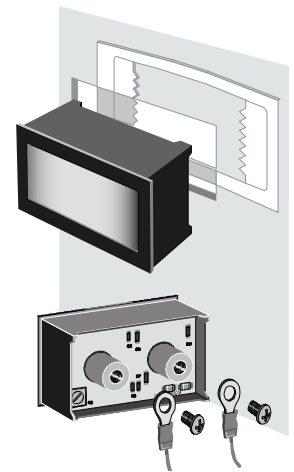
Humidity (Non-condensing) 0 to 85%

① Operation and accuracy at voltages above or below these ranges are not specified.

② Meters are not sealed; Do not expose to moisture or other contaminants.

Murata Power Solutions' DMS-20LCD-2/3-DCM, self-powered, +90V and +150V voltage monitors set new standards for quality, performance, size and cost. Simply apply dc power to the two rear terminals and the unit is fully operational—no additional components or connections are required! Their large, 0.37"/9.4mm, LCD displays feature built-in "VDC" annunciators and can be easily read from 10 feet. Two models are available: one for +42Vdc nominal operation (+18.0 to +90.0V range, '-2-DCM'), the other for +120Vdc nominal operation (+50.0 to +150.0V range, '-3-DCM'). Reverse polarity protection and 0.1V resolution are standard on both models.

Like their +12V ('-0-DCM') and +24V ('-1-DCM') counterparts, DMS-20LCD-2/3-DCM meters utilize a precision analog-to-digital converter and ultra-stable passive components to achieve excellent performance over the wide operating temperature range of 0 to +60°C. A rugged, ABS plastic package provides excellent protection against shock and vibration. DMS-20LCD-DCM's are the most accurate, LCD-display, dc-voltage monitors available at any price.



Typical panel mount installation and suggested wiring (user supplied).

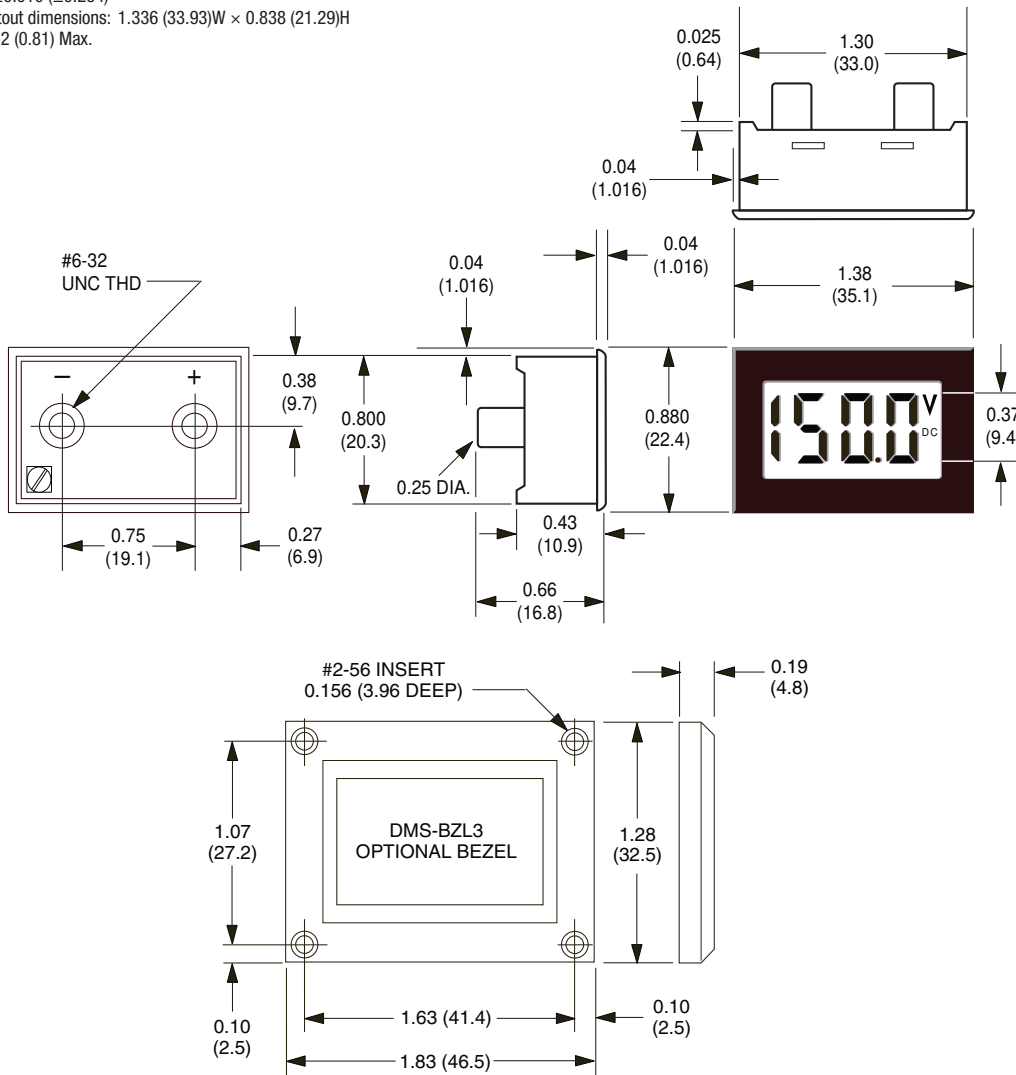
Ordering Information

DMS-20LCD-2-DCM	+18.00 to 90.0V dc voltage monitor
DMS-20LCD-3-DCM	+50.0 to 150.0V dc voltage monitor
DMS-20-CP	Panel cutout punch
DMS-BZL3	Panel mount bezel
DMS-BZL4	Panel mount bezel with sealing gasket

Brass screws (6-32 thread) and a panel-mount retaining clip are supplied with each meter



Dimensions in inches (millimeters)
Tolerances: 2 PL Dec ± 0.02 (± 0.51)
3 PL Dec ± 0.010 (± 0.254)
Recommended panel cutout dimensions: 1.336 (33.93)W \times 0.838 (21.29)H
Internal corner radii 0.032 (0.81) Max.



Murata Power Solutions, Inc.
11 Cabot Boulevard, Mansfield, MA 02048-1151 U.S.A.
ISO 9001 and 14001 REGISTERED



This product is subject to the following operating requirements and the Life and Safety Critical Application Sales Policy:
Refer to: <http://www.murata-ps.com/requirements/>

Murata Power Solutions, Inc. makes no representation that the use of its products in the circuits described herein, or the use of other technical information contained herein, will not infringe upon existing or future patent rights. The descriptions contained herein do not imply the granting of licenses to make, use, or sell equipment constructed in accordance therewith. Specifications are subject to change without notice. © 2016 Murata Power Solutions, Inc.